

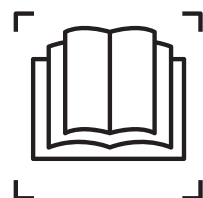


**GAS COOKERS
WITH OVEN**

**INSTRUCTION FOR INSTALLATION AND USE
DIE GEBRAUCHS UND INSTALLATIONSANWEISUNG
NOTICE D'INSTALLATION ET D'EMPLOI
INSTRUCTIE VOOR INSTALLATIE EN GEBRUIK
NÁVOD K OBSLUZE A INSTALACI
INSTRUKCJE MONTAŻU I OBSŁUGI
UPUTSTVO ZA INSTALACIJU I UPOTREBU
GHID DE INSTALARE SI UTILIZARE**



**SPT 90/80-11 GE, SPT 90/80-21 GE, SP 90/40 G, SP 90/80 G, SP 90/120 G,
SPT 90/120-21 G, SPT 90/120-21 GE, SPT 90/80-21 G**





CONTENT

Declaration of a standards conformity	3
Instruction for use	11
Cleaning and maintenance	13

INHALT



Die Normenübereinstimmungsdeklaration	14
Gebrauchsanweisung	22
Die Reinigung und Instandhaltung	24

CONTENU



Déclaration de conformité	25
Mode d'emploi	32
Nettoyage et entretien	34

INHOUD



De verklaring van overeenstemming met de normen	35
Gebruiksaanwijzing	43
Reiniging en onderhoud	45

OBSAH



Prohlášení o souladu s normami	50
Návod k použití	61
Čistění a údržba	64

TREŚĆ



Oświadczenie o zgodności z normami	65
Instrukcja obsługi	74
Czyszczenie i konserwacja	76

SADRŽAJ



Izjava o saglasnosti Sa normama	88
Uputstvo za upotrebu	96
Čišćenje i održavanje	99

CONȚINUT



Declarație de conformitate cu regulile	107
Ghid de utilizare	114
Curățare și mentenanță	117

DECLARATION OF A STANDARDS CONFORMITY

The producer confirms that the devices agree with 2016/426/EU, 2014/30/EU, 2014/35/EU standards, rule nr. 22/1997 sb., nr. 258/2000 sb., nr. 258/200 sb., nr. 118/2016 sb., 117/2016 sb. and with relevant government orders. Installation must be done with respect to valid standards. Attention, the producer refuses any responsibility in case of direct or indirect damages which are caused due to wrong installation, incorrect intervention or modification, insufficient maintenance, incorrect use and also possibly caused by other reasons presented by items in sale conditions. This appliance is set only for skilled use and must be operated by qualified persons only. Parts set and secured by the producer or accredited person must not be rebuilt by user.

TECHNICAL DATA

Label with technical data is placed on the back side of the device. Study the electrical diagram of connection and all following information before installation.

Type of product	Convection oven performance GN 1/1	Static oven performance GN 2/1	Gas oven performance GN 2/1	Voltage (V/Hz)	Burner performance (kW)	Dimensions (cm)
SPT 90/80 - 11 GE	3,1kW	-	-	400/3N/50	1x3,5 + 1x5 + 2x8,5	80x90x90 v
SPT 90/80 - 21 GE	-	6,3 kW	-	400/3N/50	1x3,5 + 1x5 + 2x8,5	80x90x90 v
SP 90/80 G	-	-	-	-	1x3,5 + 1x5 + 2x8,5	80x90x90 v
SP 90/40 G	-	-	-	-	2x8,5	40x90x90 v
SP 90/120 G	-	-	-	-	1x3,5 + 1x5 + 4x8,5	120x90x90 v
SPT 90/120-21 G	-	-	7,3 kW	-	1x3,5 + 1x5 + 4x8,5	120x90x90 v
SPT 90/120-21 GE	-	6,3 kW	-	400/3N/50	1x3,5 + 1x5 + 4x8,5	120x90x90 v
SPT 90/80-21 G	-	-	7,3 kW	-	1x3,5 + 1x5 + 2x8,5	80x90x90 v

PACKING AND DEVICE CHECK

The device leaves our stocks properly packed with appropriate symbols and labels. There are also appropriate instructions for use. In case the packing shows bad handling or damage, it must be reclaimed at transporter immediately by writing and signing of a damage protocol.

Important notice:

-This product is only intended for use inside.

Never use the appliance if it has a damaged supply cable or plug, if it is not working correctly, has fallen to the ground and been damaged or fallen into water. In such cases take the appliance to a professional service in order to verify that it is safe and works correctly.

- only for professional use
- this instructing guide must be read properly and carefully because it contains important information about safety elements, installation, use
- these recommendations refer to this product
- this product corresponds with valid standards
- this guide must be properly deposited for future use
- keep the children away from manipulation with the product
- when selling or moving the product to another place it is necessary to make yourself sure that the staff or the professional service has got acquainted with control and installation instructions from enclosed guide
- only authorised person can operate the product
- it can not be switched on without supervision
- we recommend to have the product checked by professional service min. once a year
- only original spare parts can be used for repairs
- the product can not be cleaned by the water jet or pressure shower
- by damage or break down disconnect all the feeders (water, gas, electricity) and call professional service
- producer refuses any responsibility in case of damages caused by wrong installation, by disobeying of above mentioned recommendations or by other use etc.

The device must be installed in well ventilated room what is necessary for regulation of the function of the device (technician must go by valid standard (EN....). If the device is situated close to the wall or if it is in contact with the furniture walls, these walls must resist the temperatures ranging to 90°C. Installation, setting, putting into operation must be done by qualified person who is competent for this and according to the valid standards.

Wrap up the device and check whether it was not damaged during transport. Settle the device on horizontal surface (max imbalance 2°).Settle the device under the fumehood to eliminate water steam and bad smell. The device can be installed separately or in a set with devices of our production. Min. distance 10 cm from other subjects must be kept.It is also necessary to prevent our product from contact with combustible materials. In this case you must make corresponding changes to secure heat isolation of combustible parts. Safety measures from the standpoint of the fire protection according to EN 061008čl. 21:

CONNECTION OF THE ELECTRIC CABLE TO THE ELECTRICITY

Installation of electric feeder - This feeder must be separately protected by a safety fuse according to the specific electric stream which depends on the wattage of the installed device. Check the wattage on the label at the back of the device. Connect the device directly to the electricity but you must put the switch between the device and electric net. The switch must be placed in min. distance 3 mm between the particular contacts according to the standards and loading. The feeder of grounding (yellow-green) cannot be interrupted by this switch. In every case feeding cable must be placed so that no point of the cable will reach the temperature which is 50°C higher than the temperature of the surrounding. Before connecting the device check that:

- safety fuse of the feeder and inner mains can stand the loading of the device (see label of the matrix)
- mains are equipped with effective grounding according to standards (ČSN) and conditions given by law
- socket or switch of the feed is well accessible from device

We refuse any responsibility in case of not respecting above mentioned rules. Before the first use it is necessary to remove all the protection foil and to clean the device - see chapter „cleaning and maintenance“.

Maintenance: We recommend to have the device checked once a year by the professional service. Only qualified or competent persons can do interventions in the product.

-  -Do not insert the power cable plug into the el. socket and do not pull it out of the el. socket with wet hands or by pulling on the cable!
-Do not use extension cables or power strips.

TECHNICAL INSTRUCTIONS FOR INSTALLATION AND REGULATION

Important:

The manufacturer does not provide warranty for defects caused by improper use, failure to instructions contained in the attached instructions for use and mistreatment of the appliances.

Installation, adjustment and repair of appliances for kitchens, as well as their removal because of possible damage to the gas can be carried out only under a maintenance contract, this contract may be signed with an authorized dealer, and must be complied with regulations and technical standards and regulations regarding the installation, power supply, gas connection and health & safety system.

These instructions are intended for the qualified technician who must perform the installation, put it into operation and test the appliance.

Any activity as settings, placement, rebalancing etc, must be made only when is device disconnected from electricity. If it is necessary to have the device connected to the electricity you must keep the highest attention to avoid any injuries.

DEVICE INSTALLATION

Installation, setting, rebuilding for another gas type, putting into operation must be done by qualified person who is competent for this and according to the valid standards. The device can be installed in good ventilated room. When it is possible place the device under the fume hood to suck off the products of combustion. Air needed to the burning is 2m³/h/kW of the performance of the installed device. The device can be installed separately or in a set with devices of our production. Min. distance 10 cm from other subjects must be kept. It is also necessary to prevent our product from contact with combustible materials. In this case you must make corresponding changes to secure heat isolation of combustible parts (for example: place between the device and combustible material asbestos plate).

PIPE FOR GAS CONNECTION

It must first determine if the appliance is made for the same type of gas that will be used and thus conforms to the indications on the label the type of gas to be used.

The conversion of gas pan to another type of gas you need to check if it corresponds to the type of gas bearing, which is recommended in this guide.

Connecting the appliance to the gas distribution must be towable to a steel or copper tube complying with applicable national requirements. This must be controlled on regular basis and changed if needed. Every appliance must be equipped with shut-off valve and quick shut-off valve. Quick shut-off valve must be freely accessible and within reach of the device. After installation, is necessary to check whether there is a gas leak. To find a gas leak you can use soapy water or spray for gas leak detection.

Do not use corrosive substances!! All our appliances are carefully controlled. Gas type, pressure and of the categories listed named on the technical information plate.

Liquid gas connection:

Pressure for liquid gas connection must be 28 or 30 mbar for propane/butane and 37 mbar for propane. It is necessary to check the technical label ,gauge the pressure and check the parameters of the nozzle is installed with the required parameters of the nozzle according to the manufacturer's. If the pressure is lower than 25mbar or higher than 37 mbar, THE APPLIANCE SHALL NOT TO BE CONNECTED.

Gas Connection:

Pressure for methane connection must be 18 or 20 mbar. It is necessary to check the technical label ,gauge the pressure and check the parameters of the nozzle is installed with the required parameters of the nozzle according to the manufacturer's. If the gas pressure is lower than 15mbar or higher than 22,5 mbar, THE APPLIANCE SHALL NOT TO BE CONNECTED.

SAFETY MEASURES FROM THE STANDPOINT OF THE FIRE PROTECTION ACCORDING TO EN 061008 ČL. 21

- only adults can operate the device
- device must be safely used in common surroundings according to EN 332000-4-462; EN 332000-4-42. You must switch the gas device off under the circumstances leading: to the danger of the temporary rise of the combustion gas or steam or during works when there is a big possibility of rise of the temporary fire danger or explosion (for example: to stick linoleum, PVC etc.).
- before you start to instal the device you must get the licence for connection to the gas feeder from the gasworks
- device must be placed so as to stand or hang on the noncombustible surface which is on each side 10 cm larger than the device. No subjects from combustible materials can be placed directly on the device or in distance which is shorter than safety distance (the shortest distance is 50 cm in the direction of the heat emission and 10 cm in other directions).- safety distances from various materials of different degree of combustion and information about the degree of comb. of common building materials - see chart:

Chart:

Combustion degree of building materials classified according to the combustion degree of materials and products (EN 730823)

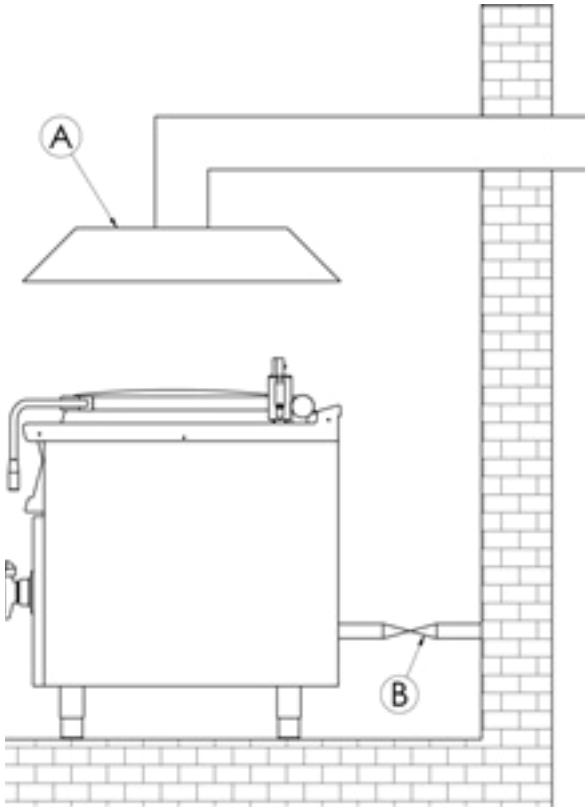
A noncombustible	granit, sandstone, concretes,bricks, ceramic wallfacing tiles, plaster
B uneasily combustible	akumine, heraklite, lihnos, itavere
C1 hardly combustible	leafy wood, plywood, sirkoklit, rare paper formica
C2 middle combustible	fibreboards, solodure, cork boards, rubber,floor-coverings
C3 easily combustible	wood-fibreboards, polystyrene,polyurethane, PVC

Devices must be instalated in a safe way. When instaling you must respect corresponding project, safety and hygienic orders according to:

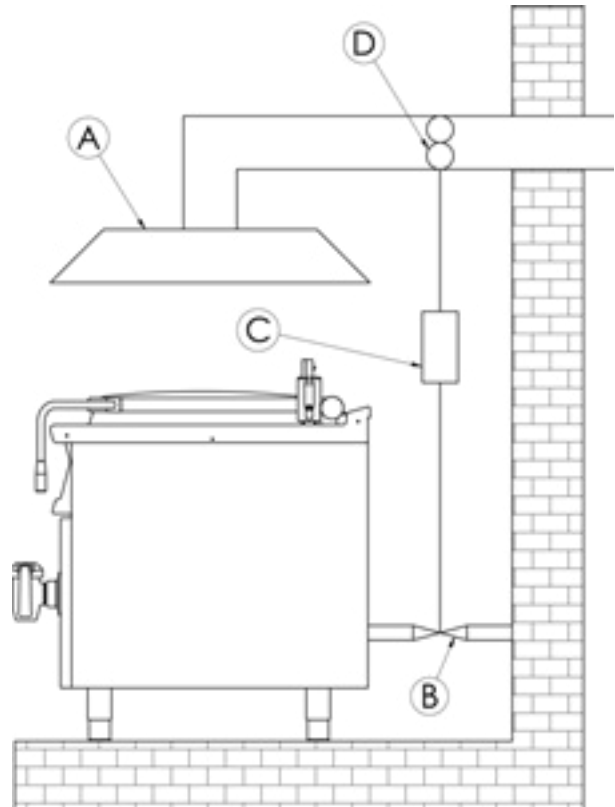
- EN 061008 fire protection of local devices and sources of heat
- EN 332000 (33 2000-4-482; 33 2000-4-42) surrounding for electric devices ČSN EN 1775 Gas supplying
- Gas fi ttings in the buildings - the highest operational pressure < 5 bar - operation demands
- § 10 law nr. 185/2001 Sb. about waste

CHIMNEY DESIGN FOR AN APPLIANCE –TYPE A

NATURAL EXTRACTION



FORCED EXTRACTION



Outlet hood with natural extraction (A). Flue gas provides a natural chimney draft.

Outlet hood without natural extraction. Flue gas is secured by a fan (D) (forced extraction). In this case, it is necessary to secure the connection with a gas feeder (B) to turn off the gas supply in case of failure.

CHECK THE GAS TYPE THE DEVICE IS ADJUSTED FOR

Our appliances are certified and regulated for natural gas (see technical plate). Conversion or adaptation to a different type of gas must be performed by authorized personnel. Nozzles for different types of gas are in a bag provided with the gas cooker and are marked in hundredths of mm (table of technical data pipes).

Nozzle replacement and pressure adjustment (Fig. 1, 2, 3)

It should proceed as follows:

Remove grid from top part of cooker, whole top part of the burner and GN (note 1, 2, 3, 4, fig. 1)

Unscrew nozzle (note 5, fig. 2, 3) with wrench and replace it for another by the desired type of gas.

Perform the assembly in reverse order. Make sure that different parts fit closely to each other. Air control (fig. 3, note 8) is always fully open.

Pilot burner can be adjusted so, that is need to untie safety nut (note 6, fig. 3) with wrench. Then with wrench number, tie or untie nozzle (note 7, fig. 3) and adjust the flame into desired size.

Important:

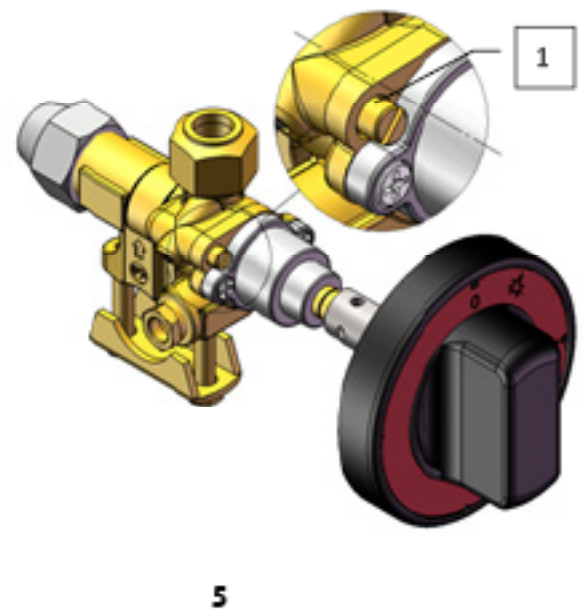
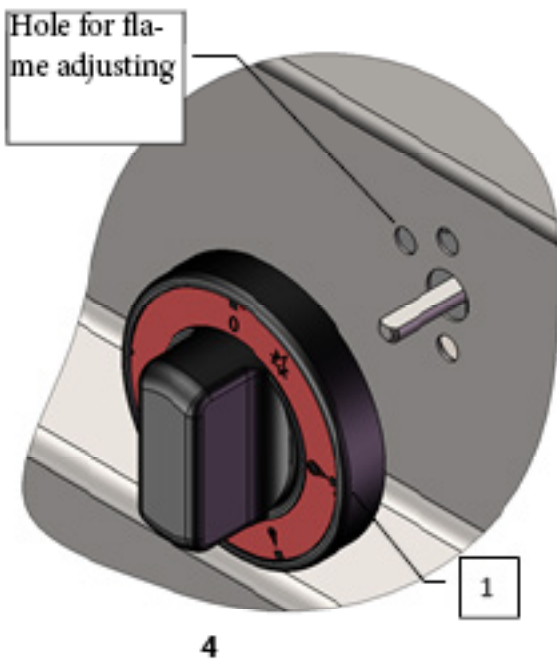
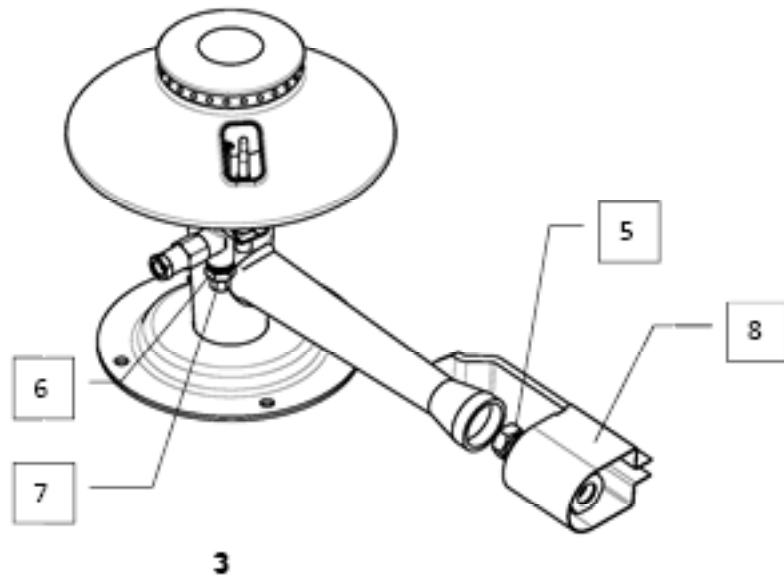
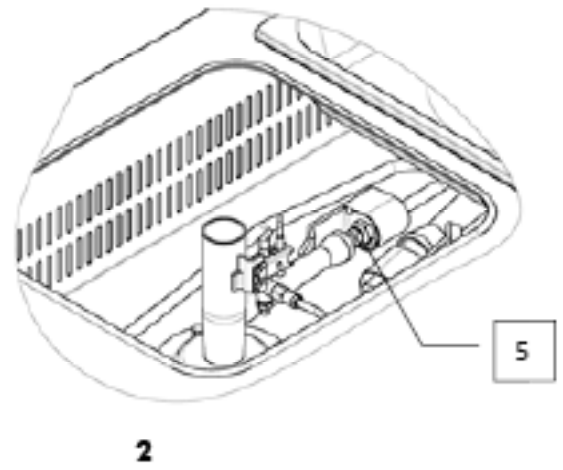
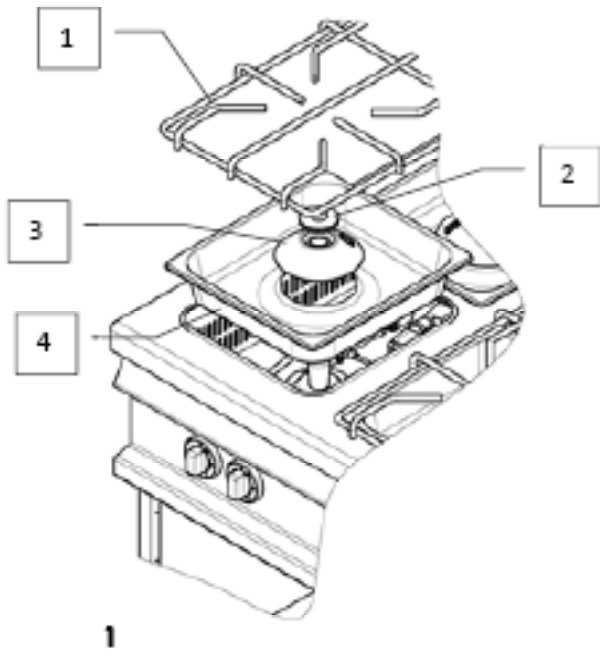
After what was done adjusting the appliance to another type of gas, it is necessary to change the gas indicated on the technical plate located in a visible location on the back of the device.

Adjusting flame at reduced performance „SAVING“

Flame at reduced performance „SAVING“, can be set with screw placed in the valve body (note. 1, fig. 5) positioned next to valve shaft

For adjusting proceed as follows:

- Remove the control knob (note. 1, fig. 4) pulling towards you
- Adjust the flame through hole with flat screwdriver



INSTRUCTION FOR USE

Ignition of the main burner

Press and turn the burner control knob to position 1 and perform ignition of the pilot burner. After igniting the pilot burner still hold the button pressed for approx. 30 seconds to heat up the thermocouple. If the flame goes out, repeat the whole procedure. To ignite the burner at full performance, turn the knob to position 2. Reduced performance 'SAVING ' is set so that easily push a button and turn to position 3. Into standby mode, turn the control knob right into the position 1. If you want to turn off the burner, slightly push the button and turn to "0 ".

Timer

The timer is only used to indicate the set time

Controlling of the convection oven

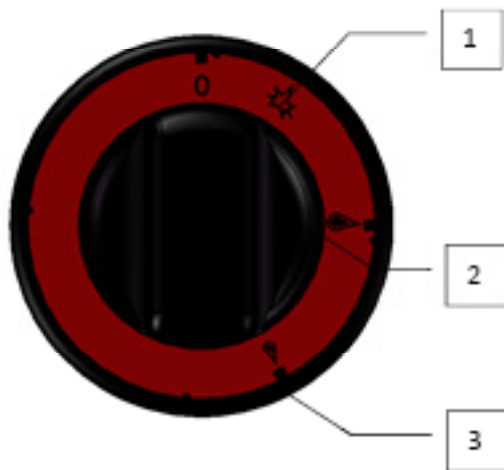
Turn the control knob to the right, will turn on the fan. This is signalized with a green LED. After that, set the control knob into desired temperature. Working of the heater is indicated by orange LED, when light goes off, the oven is preheated to the desired temperature. Turn off the oven by turning left into the "0".

Controlling of the static oven

You can choose to switch the control knob into select position for top and bottom heaters at the same time (position 1), or just the bottom heater (position 3) or upper heater (position 2). This is indicated by green LED. Set the control knob into desired temperature. Working heater is indicated by orange LED, when light goes off, the oven is preheated to the requested temperature. Turn off the oven by turning both knobs to "0".

CONTROL BUTTONS:

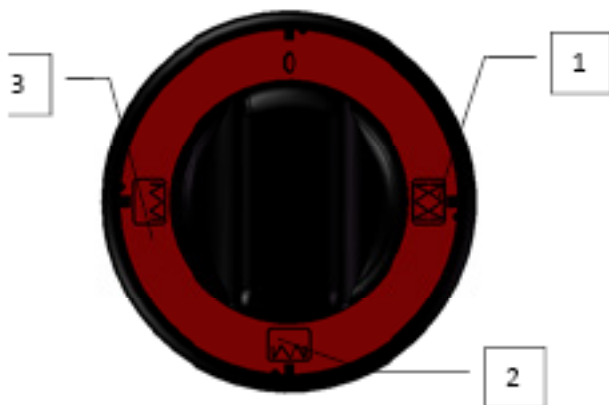
The burner control knob



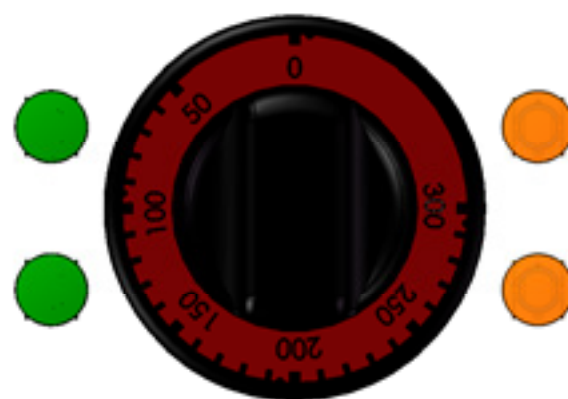
The timer control knob



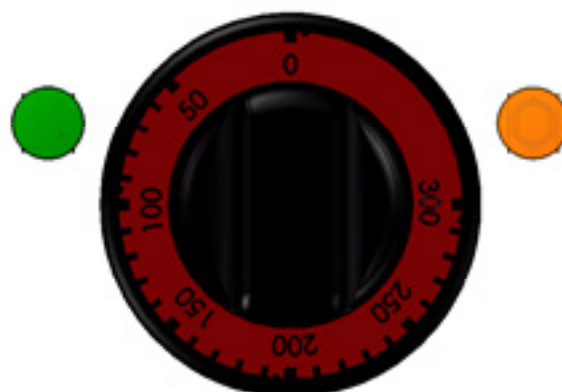
Static oven control knob



The thermoregulation static oven control knob



Convection oven control knob



CLEANING AND MAINTENANCE

It is recommended to have the device checked by the professional service min. once a year. All interventions must be done by qualified person who is competent for this.

ATTENTION!

The device cannot be cleaned by direct or pressure water. Clean it daily. Daily maintenance keeps longer useful life and efficiency of the device. Before cleaning make sure to have disconnected the device from electricity. Always switch off the main feeder to the device. Stain-less parts wash with moist cleaning cloth and detergent without groove parts than wash it with clean water and dry it by the cloth. Do not use abrasive and corrosive detergents.

WHAT TO DO IN CASE OF BREAK-DOWN

Switch off the electric feeder and call seller's professional service.

INDICATION:

Guarantee does not cover all consumption parts succumable to common wear (rubber seals, bulbs, glas and plastic parts etc.). The guarantee does not refer to the devices which were not instaled in correspondance with instructions - by qualified worker, in confirmity with standards and when somebody handled incompetently the device (interventions into inner equipment) or the device was operated by nonqualified staff or at variance with instructions for use. Guarantee does not also cover the damages caused due to influence of nature or other outer intervention.

DIE NORMENÜBEREINSTIMMUNGSDEKLARATION

Der Produzent erklärt, daß die Geräte in einer Übereinstimmung mit den Vorschriften der 2009/142/ES, 2014/30/ES, 2014/35/ES dem Gesetz Nr. 22/1997 sb., nr. 258/2000 sb., nr. 38/2001 sb., nr. 616/2006 sb., 17/2003 sb. der Sammlung und zugehörigen Regierungsverordnungen stehen. Die Installation muss mit der Absicht auf geltende Normen durchgeführt werden. Vorsicht, im Falle einer direkten oder indirekten Beschädigung, die sich auf falsche Installation, unrichtigen Eingriff oder Anpassungen, ungenügende Instandhaltung, unrichtige Verwendung beziehen, und welche eventuell durch andere Ursachen, als in Punkten der Verkaufsbedingungen angeführt ist, so verzichtet der Importeur auf jegliche Verantwortung. Dieses Gerät ist nur für fachliche Verwendung bestimmt und muß durch qualifizierte Person bedient werden. Teile, die nach der Einstellung durch den Hersteller oder durch befugte Person gesichert wurden, dürfen vom Benutzer keineswegs umgestellt werden.

DIE TECHNISCHEN DATEN

Das Schild mit technischen Angaben ist auf der Rückseite des Gerätes angebracht. Studieren sie vor der Installation das elektrische Schema der Einschließung und alle folgende Informationen durch.

Art des Produkts	Heißluftofen Leistung GN 1/1	Statische Ofenleistung GN 2/1	Gasofenleistung GN 2/1	Spannung (V/Hz)	Brennerleistung (kW)	Maße (cm)
SPT 90/80 - 11 GE	3,1kW	-	-	400/3N/50	1x3,5 + 1x5 + 2x8,5	80x90x90 v
SPT 90/80 - 21 GE	-	6,3 kW	-	400/3N/50	1x3,5 + 1x5 + 2x8,5	80x90x90 v
SP 90/80 G	-	-	-	-	1x3,5 + 1x5 + 2x8,5	80x90x90 v
SP 90/40 G	-	-	-	-	2x8,5	40x90x90 v
SP 90/120 G	-	-	-	-	1x3,5 + 1x5 + 4x8,5	120x90x90 v
SPT 90/120-21 G	-	-	7,3 kW	-	1x3,5 + 1x5 + 4x8,5	120x90x90 v
SPT 90/120-21 GE	-	6,3 kW	-	400/3N/50	1x3,5 + 1x5 + 4x8,5	120x90x90 v
SPT 90/80-21 G	-	-	7,3 kW	-	1x3,5 + 1x5 + 2x8,5	80x90x90 v

DIE VERPACKUNGS-, UND VORRICHTUNGSKONTROLLE

Die Vorrichtung verlässt unsere Lager in ordentlicher Verpackung, auf deren die entsprechenden Symbole und Bezeichnungen stehen. In der Verpackung befindet sich entsprechende Bedienungsanweisung. Falls die Verpackung eine schlechte Behandlung oder Anzeichen der Beschädigungen vorweist, muß dieses sofort beim Transporteur reklamiert werden und zwar durch Unterzeichnung eines Schadensprotokolles.

Wichtige Hinweise

-Das Erzeugnis ist nur zur Verwendung im Innenraum bestimmt.

Verwenden Sie den Verbraucher nie, wenn die Speisezuleitung oder der Stecker beschädigt sind, das Gerät nicht richtig arbeitet, ist auf den Boden gefallen und hat sich beschädigt oder ist ins Wasser gefallen. Bringen Sie in solchen Fällen den Verbraucher zu einem Fach-Kundendienst zur Überprüfung seiner Sicherheit und richtiger Funktion.

- Nur für professionellen Verbrauch geeignet
- Diese Bedienungsanleitung muss ordentlich und bedächtig gelesen werden, weil sie wichtige Informationen über Sicherheitsmerkmale, Installation und Anwendung beinhaltet
- Diese Empfehlungen beziehen auf diesen Produkt
- Der Produkt entspricht geltenden Normen
- Diese Anleitung muß ordentlich für die zukünftige Verwendung hinterlegt werden
- Hindern Sie den Kinder an Vorrichtungsm Manipulation
- Beim Verkauf oder Verlegung ist es notwendig sich zu überzeugen, daß die Bedienstperson oder Fachservis sich mit der Beherrschung und Installationsanweisung in beiliegender Anleitung, anvertraut gemacht haben.
- Das Produkt darf nur eingeschulte Bedienung bedienen
- Das Produkt darf nicht ohne Aufsicht ins Betrieb gesetzt sein
- Es ist empfohlen, minimal einmal pro Jahr eine Fachkontrolle durchführen zu lassen
- Bei eventueller Reparatur der Teilenumtauschungen müssen ausschließlich Originalteile angewendet werden
- Das Produkt darf nicht durch einen Wasserstrahl oder Druckbrause gereinigt werden
- Schalten Sie alle Leitungen (Wasser, Elektrizität, Gas) bei einer Störung oder beim schlechten Lauf aus und rufen Sie autorisierten Service an
- Der Hersteller verzichtet auf jegliche Verantwortung bei Störungen, die durch fehlerhafte Installation, Nichteinhaltung o.a. Empfehlungen, andere Verwendung u.ä, verursacht wurden

DIE PLATZIERUNG

Es ist unbedingt notwendig, zu der Regulation der Gerätetätigkeit, daß das Milieu - der Küche -, wo das Gerät installiert wird, sehr gut belüftbar ist (im Hinblick darauf: sei der Techniker sich mit geltenden Normen (EN) richtet). Wenn die Einrichtung so plaziert wird, daß sie im Mobiliarwandkontakt stehen wird, so müssen diese einer Temperatur von 90°C widerstehen. Die Installation, Herrichtung, Inbetriebnahme müssen durch qualifizierte Person, die zu solchen Vorkehrungen eine Befugnis hat und dies laut geltenden Normen nach, durchgeführt werden.

Packen Sie das Gerät aus und kontrollieren Sie , ob sich das Gerät während des Transportes nicht beschädigt hat. Platzieren Sie das Gerät auf eine waagrechte Fläche (maximale Unebenheit bis 2°). Stellen Sie das Gerät unter den Haubenabzug, damit Sie die Wasserdämpfe und den Geruch eliminieren. Das Gerät kann selbständig oder in einer Reihe mit Geräten unserer Herrstellung installiert werden. Es ist notwendig die minimale Entfernung von 10 cm zu anderen Gegenständen einzuhalten, so dass die Wärmeisollierung der brennbaren Teilen gewährleistet wird.

Das Gerät kann selbständig oder in einer Reihe mit Geräten unserer Herrstellung installiert werden. Es ist notwendig die minimale Entfernung von 10 cm zu anderen Gegenständen einzuhalten, so dass die Wärmeisollierung der brennbaren Teilen gewährleistet wird.

TECHNISCHE HINWEISE ZUR INSTALLATION UND REGELUNG

Wichtig:

Zur Benützung AUSSCHLIEßLICH nur für spezialisierte Techniker
Instruktionen, die folgen, wenden sich an den Techniker, der für die Installation qualifiziert ist, damit er alle Operationen mit der korrektesten Weise und laut der gültigen Normen durchführt.

Wichtig

Jeweils irgendeine Tätigkeit, die mit der Regulation verbunden ist u.ä, muß nur mit der aus dem Netz ausgezogenen und abgeschalteten Einrichtung vollgezogen sein.

Solange das Gerät unter der Spannung notwendig zu halten ist, eine höchste Vorsicht zu beachten vorliegt.

DIE SICHERHEITSVORRICHTUNGEN AUS DER SICHT DES FEUERSCHUTZES LAUT EN. 061008 ČL. 21

Die Einrichtungsbedienung dürfen nur Erwachsene ausführen

- Das Gerät darf sicher in gewöhnlicher Umgebung laut EN 332000-4-482; EN 332000-4-42 verwendet werden.
- Es ist notwendig das Gerät so platzieren, daß es auf einer unbrennbaren Grundlage steht oder hängt.
- Es dürfen, auf und in eine Entfernung, die kleineremase als sicher vom Gerät bezeichnet wird, keine Gegenstände aus brennbaren Materilien (die kleinste Entfernung vom Brennbarem ist 10 cm) aufgestellt werden.
- Die sicheren Entfernungen von Massen der einzelnen Brenngra

Tabelle:

Baumassefeuerbrenngrad ins Brenngrad (EN) der Massen und Produkte eingegliedert

A	Unbrennbar	Granit, Sandstein, beton, Ziegel, Keramikbekleidung, Putz
B	nicht einfach brennbar	Akumin, Heraklit, Lihnos, Itaver
C1	schwer brennbar	Holz, Laubbaum, Furnier Sirkoklit, Festpapier, Umakart
C2	mittel brennbar	Holzspanplatten, Solodur, Korkplatten, Hartgummi, Bodenbeläge
C3	leicht brennbar	Holzfasernplatten, Polystyren, Polyureten, PVC

Die Bedarfsartikel müssen sicher installiert werden und sind mit regulierenbaren Beinchen - zur Ausgleichen der Höhe und der Unebenheiten eingestattet.

Die Geräte müssen in einer sicheren Weise installiert werden. Bei der Installation müssen weiter betreffende Projekt-, Sicherheits-, und Hygienevorschriften respektiert werden.

- EN 06 1008 Feuerschutz der örtlichen Geräte und der Wärmquellen
- EN 33 2000 (33 2000-4-482; 33 2000-4-42) Umgebung für elektrische Geräte
- Gasversorgung -Gasleitunge in Gebäuden - Höchste Verkehrsdruck ≤ 5 BarVerkehrsansprüche,
- § 10 des Gesetzes Nr.185/2001 Sb., der Abfälle betrifft.

DER ELEKTRISCHE KABELNETZANSCHLUSS

Die Installation der elektrischen Ankupplung - Diese Zuleitung muß selbstständig gesichert werden. Und das durch entsprechende Sicherung des Nennstromes in der Abhängigkeit am Anschlußwert des installierten Gerätes. Kontrollieren sie den Anschlußwert des Apparates auf dem Produktionsschild im Hinterteil des Gerätes. Schließen Sie das Gerät direkt ans Netz an.

Es ist unbedingt notwendig zwischen das Gerät und das Netz einen Schalter zu legen, der eine minimale Entfernung von 3mm unter den Einzelkontakten aufweist und der auch den geltenden Normen und Belastungen entspricht. Die Erdungszuleitung (gelbgrün) darf nicht durch diesen Schalter unterbrochen sein.

Der Zuleitungskabel muß in jedem Fall so angebracht sein, dass er in keinem Punkt einer um 50°C höherer Temperatur als Umgebungstemperatur nicht erreicht. Eher das Gerät ans Netz angeschlossen wird, versichern Sie sich, dass:

- die Zuleitungssicherung und die Innenscheidung die Einrichtungsbelastung ertragen (siehe Matriceschild),
- die Verteilung mit wirksamer Erdung laut Normen (EN) und Gesetzbedingungen ausgestattet ist

WIR VERZICHTEN AUF JEDLICHE VERANTWORTUNG IM FALLE, DASS DIESE NORMEN NICHT RESPEKTIERT WERDEN UND IM FALLE DER NICHTEINHALTUNG DER OBENERWÄHNTER GRUNDSÄTZE.

Es ist notwendig die Schutzfolie vor der ersten Benützung zu beseitigen, sowie das Gerät zu reinigen siehe das Kapitel „Reinigung und Instandhaltung“.



-Führen Sie den Stecker der Speisezuleitung in die el. Steckdose und ziehen ihn aus der el. Steckdose mit nassen Händen und durch Ziehen der Speisezuleitung nicht!

-Verwenden Sie keine Verlängerungskabel oder Kombisteckdosen.

ROHR FÜR GASANSCHLÜSSEN

Es muss zuerst feststellen, ob das Gerät für die gleiche Art von Gas, das verwendet werden soll, wird und entspricht damit den auf dem Etikett die Art des Gases verwendet werden.

Die Umwandlung von Gas Pfanne auf eine andere Gasart müssen Sie überprüfen, ob es auf die Art der Gas-Lager, die in diesem Handbuch empfohlen wird, entspricht.

Anschließen des Gerätes an die Gasversorgung muss Anhängelast auf einer Stahl-oder Kupferrohr Beachtung der geltenden nationalen Anforderungen. Dies muss regelmäßig kontrolliert werden und bei Bedarf geändert. Jedes Gerät muss mit Absperrventil und schnelle Absperrventil ausgestattet sein. Schnell-Absperrventil muss frei zugänglich sein und innerhalb der Reichweite des Gerätes. Nach der Installation ist zu prüfen, ob es ein Gas austritt. Um ein Gasleck Sie Seifenwasser oder Spray zur Lecksuche können zu finden.

Verwenden Sie keine ätzenden Stoffen! Alle unsere Geräte werden sorgfältig kontrolliert. Gasart, Druck und der Kategorien auf der technischen Informationen Platte benannt.

Flüssiggas-Anschluss:

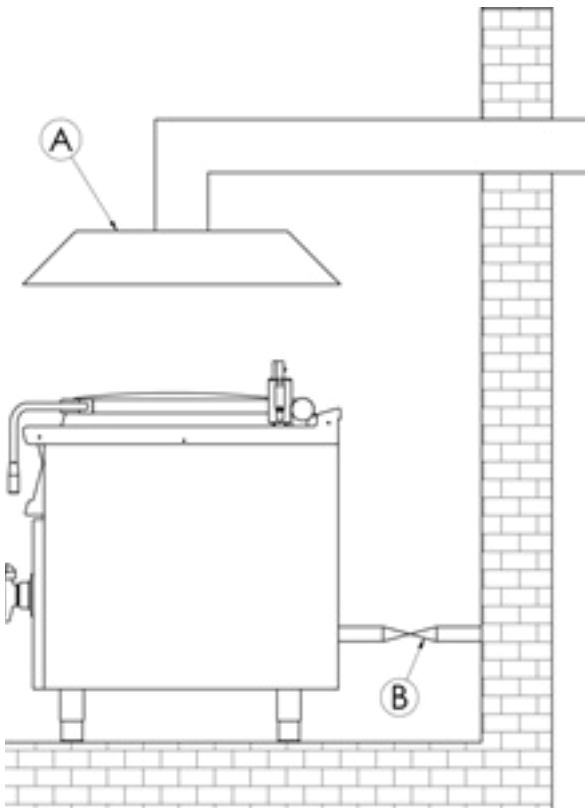
Der Druck für Flüssiggas-Verbindung muss 28 oder 30 mbar für Propan / Butan und 37 mbar für Propan sein. Es ist notwendig, um die technische Etikett überprüfen, messen den Druck und Kontrolle der Parameter der Düse wird mit den erforderlichen Parametern der Düse gemäß der Herstellerangaben installiert. Ist der Druck niedriger als 25mbar oder höher als 37 mbar, darf das Gerät nicht ANZUSCHLIESSEN.

Gas-Anschluss:

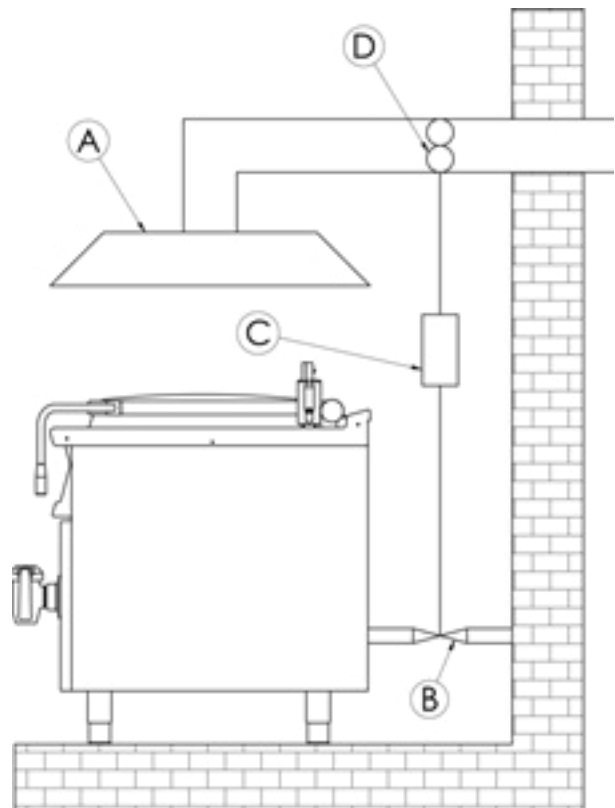
Der Druck für die Methan-Anschluss muss 18 oder 20 mbar betragen. Es ist notwendig, um die technische Etikett überprüfen, messen den Druck und Kontrolle der Parameter der Düse wird mit den erforderlichen Parametern der Düse gemäß der Herstellerangaben installiert. Wenn der Gasdruck niedriger ist als 15 mbar oder höher als 22,5 mbar, darf das Gerät nicht ANZUSCHLIESSEN.

KAMIN-DESIGN FÜR EIN GERÄT VOM TYP A

NATURAL EXTRACTION



ABSAUGANLAGE



Outlet Kapuze mit natürlichen Extraktion (A). Rauchgas sorgt für einen natürlichen Kaminzug.

Outlet Haube ohne natürliche Extraktion. Rauchgas wird durch einen Ventilator (D) (erzwungene Extraktion) gesichert. In diesem Fall ist es erforderlich, die Verbindung mit einer Gaszuführung (B), um die Gaszufuhr bei Ausfall zu sichern.

PRÜFEN der Gasart Das Gerät ist für EINGESTELLT

Unsere Geräte sind zertifiziert und reguliert das Erdgas (siehe technische Platte). Umwandlung oder Anpassung an eine andere Gasart müssen von autorisiertem Personal durchgeführt werden. Düsen für verschiedene Arten von Gas sind in einer Tüte mit dem Gasherd gestellt und sind im hundertstel mm (Tabelle der technischen Daten Rohre) markiert.

Düsenwechsel und Druckeinstellung (Abb. 1, 2, 3)

Es sollte wie folgt vorgehen:

Entfernen Sie Raster aus oberen Teil des Kocher, ganze Oberteil des Brenners und GN (Anm. 1, 2, 3, 4, Abb. 1)

Abschrauben der Düse (Anm. 5, Abb. 2, 3) mit Schlüssel-Nr. 13 mm und ersetzen Sie sie durch eine andere von der gewünschten Art des Gases.

Führen Sie die Montage in umgekehrter Reihenfolge. Stellen Sie sicher, dass verschiedene Teile eng zueinander passen. Air Control (Abb. 3, Anm. 8) ist immer voll geöffnet.

Zündbrenner werden kann, so anpassen, also brauchen lösen Sicherheitsmutter (Anm. 6, Abb. 3) mit Schlüssel-Nummer 11 mm. Dann mit dem Schraubenschlüssel Nummer 7 mm, binden oder lösen Düse (Anm. 7, Abb. 3) und die Flamme in die gewünschte Größe.

wichtig:

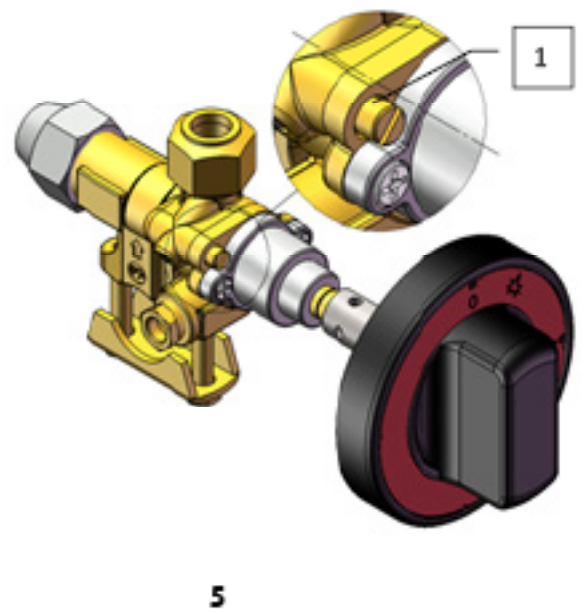
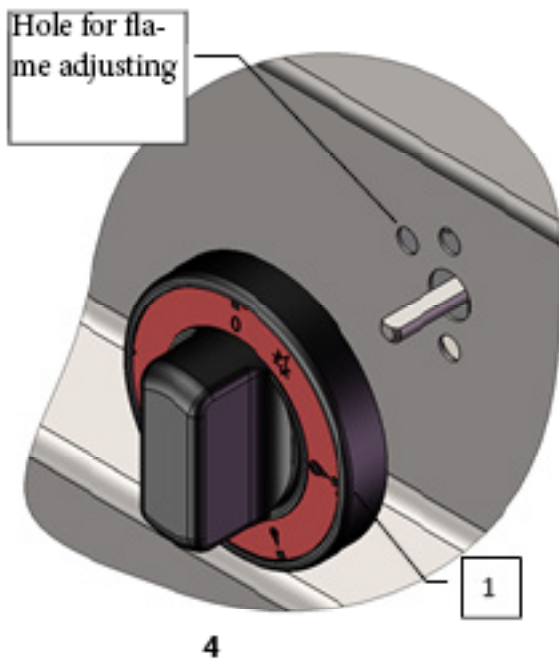
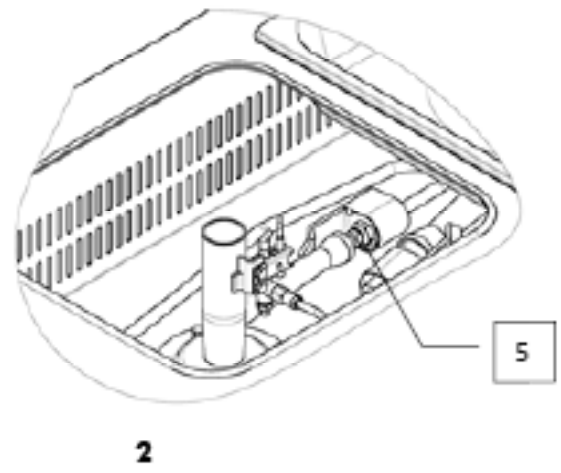
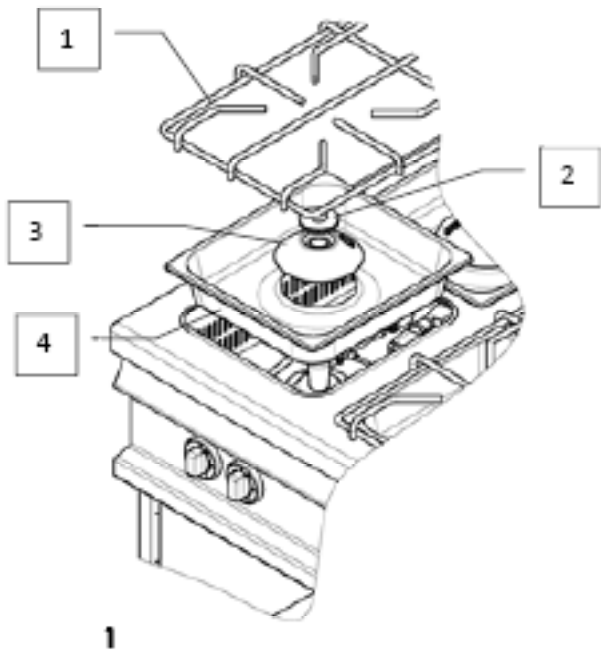
Nach dem, was getan Einstellen des Gerätes an andere Art von Gas, ist es notwendig, das Gas auf dem technischen Platte an einer sichtbaren Stelle an der Rückseite des Geräts angegeben ändern.

Anpassen der Flamme bei reduzierter Leistung „SPAREN“

Flamme bei reduzierter Leistung „Speichern“ kann mit der Schraube in dem Ventilkörper (Anm. 1, Abb. 5). Platziert gesetzt werden positioniert neben dem Ventilschaft

Für die Einstellung wie folgt vorgehen:

- Entfernen Sie den Drehknopf (Anm. 1, Abb. 4). Ziehen Sie in Richtung
- Stellen Sie die Flamme durch das Loch mit Schraubenzieher



GEBRAUCHSANWEISUNG

Die Zündung des Hauptbrenners

Drücken und Drehen des Brenners Drehknopf auf Position 1 und führen Sie die Zündung des Pilot-Brenner. Nach dem Zünden der Zündbrenner noch halten Sie die Taste ca. 30 Sekunden zum Aufheizen des Thermoelements. Wenn die Flamme erlischt, wiederholen Sie den gesamten Vorgang. Um den Brenner bei voller Leistung zünden, drehen Sie den Knopf auf Position 2. Reduzierte Leistung „retten“ ist so eingestellt, dass einfach einen Knopf drücken und drehen auf Position 3. In den Standby-Modus, drehen Sie den Regler nach rechts in die Position 1. Wenn Sie zum Ausschalten des Brenners wollen, leicht auf den Knopf drücken und drehen auf „0“.

Timer

Der Timer wird nur verwendet, um die eingestellte Zeit anzuzeigen

Controlling der Umluftofen

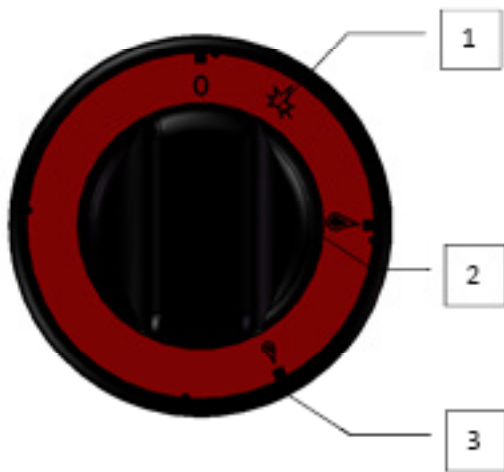
Drehen Sie den Regler nach rechts drehen, wird auf dem Ventilator einzuschalten. Dies wird durch eine grüne LED signalisiert. Danach stellen Sie den Drehknopf in die gewünschte Temperatur. Arbeiten der Heizung wird durch die orange LED, wenn das Licht erlischt angedeutet, wird der Ofen auf die gewünschte Temperatur vorgeheizt. Schalten Sie den Ofen nach links in die „0“ nach links.

Controlling der statischen Ofen

Sie können den Regler in ausgewählte Positionen Schalter für oberen und unteren Heizkörper zur gleichen Zeit (Position 1), oder einfach nur die Bodenheizung (Position 3) oder obere Heizung (Position 2). Dies wird durch grüne LED angezeigt. Stellen Sie den Regler in die gewünschte Temperatur. Arbeiten Heizung durch orange LED, wenn das Licht erlischt angegeben ist, wird der Ofen auf die gewünschte Temperatur vorgeheizt. Schalten Sie den Ofen durch Drehen der beiden Knöpfe auf „0“.

BEDIENTASTEN:

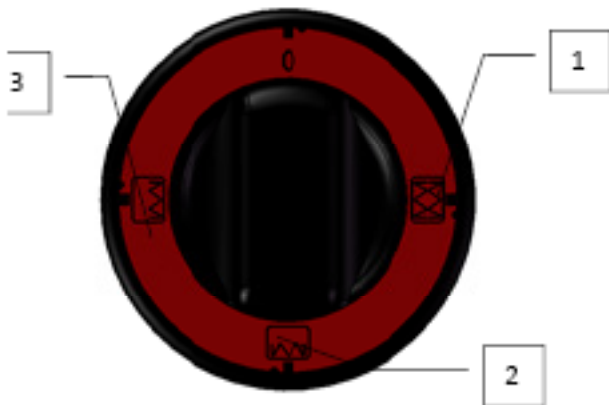
Der Brenner Drehknopf



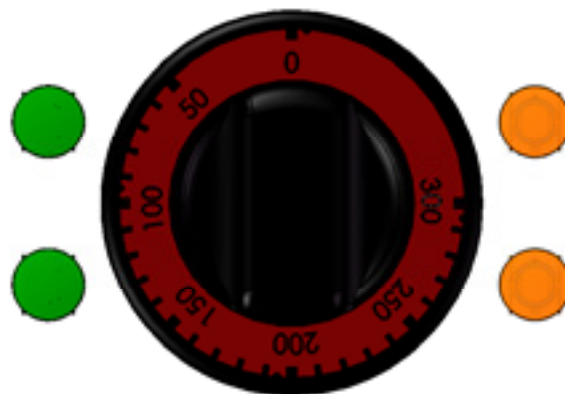
Die Timer-Drehknopf



Statische Backofenschaltknebel



Die Thermoregulation statische Backofen-Steuerung



Heißluftofen Drehknopf



DIE REINIGUNG UND INSTANDSHALTUNG

ACHTUNG! Die Einrichtung darf nicht mit Direkt-, oder Druckwasserstrahl gereinigt werden. Reinigen Sie das Gerät täglich. Die Lebensdauer und Gerätewirkung wird durch die tägliche Wartung gewährleistet. Überzeugen Sie sich, vorm Reinigungsanfang, dass Sie die Einrichtung vom Elektrostrom abgeschaltet haben. Schalten Sie immer die Gerätehauptzufuhr ab. Waschen Sie die Edelstahlteile mit feuchtem Waschlappen, der im Waschpulver getauft ist und keine grobe Teilchen aufweist. Wischen Sie alles ins Trockene ab. Verwenden Sie keine abrasive- oder korrosionsreiche Reinigungsmitteln.

WIE MAN IM FALLE EINER STÖRUNG VORANGEHEN SOLL

Schalten sie die elektrische Stromleitung ab und rufen die Serviceorganisation des Verkäufers an.

HINWEIS

Die Garantie bezieht sich nicht auf alle Verbrauchsteile, die der geläufiger Abnutzung unterstehen (gesamte Gummidichtungen, Glühlampen, alle glasernde und plastiche Teile, usw.). Die Garantie bezieht sich nicht weiterhin auf Einrichtungen, die durch befugte Person laut Anweisung und entsprechender Normen nicht installiert worden sind und wenn mit dem Gerät unfachmännisch manipuliert wurde (Eingriffe ins Innere) und auf Beschädigungen durch Natureinflüsse oder Ausseneingriffe.

DÉCLARATION DE CONFORMITÉ

Le fabricant certifie la conformité des appareils aux normes 2009/142/ES, 2014/30/ES, 2014/35/ES à la loi n° 22/1997 sb., 258/2000 sb., 258/2000 sb., 616/2006 sb., 17/2003 sb. et aux décrets applicables. L'installation doit être effectuée dans le respect des normes en vigueur. Attention: le fabricant décline toute responsabilité en cas de dommages, directs ou indirects, causés par une mauvaise installation, par une utilisation, des interventions ou des modifications impropres, par un entretien insuffisant, ainsi qu'en cas de dommages dérivant des causes mentionnées dans les conditions de vente. L'appareil objet de la présente notice est prévu pour un usage professionnel, aussi son utilisation doit-elle être confiée à un personnel possédant les compétences nécessaires à cet effet. L'utilisateur ne doit procéder à aucune intervention ni à aucune modification sur les parties réglées et protégées par le fabricant ou autre personnel autorisé à cet effet.

CARACTÉRISTIQUES TECHNIQUES

L'étiquette sur laquelle figurent les caractéristiques techniques est apposée sur la partie postérieure de l'appareil. Avant de procéder à l'installation, prendre connaissance du schéma électrique et de toutes les informations que contient la présente notice.

Nature du produit	Rendement du four à air chaud GN 1/1	Performance du four statique GN 2/1	performances du four à gaz GN 2/1	tension (V/Hz)	puissance thermique (kW)	Dimensions (cm)
SPT 90/80 - 11 GE	3,1kW	-	-	400/3N/50	1x3,5 + 1x5 + 2x8,5	80x90x90 v
SPT 90/80 - 21 GE	-	6,3 kW	-	400/3N/50	1x3,5 + 1x5 + 2x8,5	80x90x90 v
SP 90/80 G	-	-	-	-	1x3,5 + 1x5 + 2x8,5	80x90x90 v
SP 90/40 G	-	-	-	-	2x8,5	40x90x90 v
SP 90/120 G	-	-	-	-	1x3,5 + 1x5 + 4x8,5	120x90x90 v
SPT 90/120-21 G	-	-	7,3 kW	-	1x3,5 + 1x5 + 4x8,5	120x90x90 v
SPT 90/120-21 GE	-	6,3 kW	-	400/3N/50	1x3,5 + 1x5 + 4x8,5	120x90x90 v
SPT 90/80-21 G	-	-	7,3 kW	-	1x3,5 + 1x5 + 2x8,5	80x90x90 v

CONTROLE DE L'EMBALLAGE ET DE L'APPAREIL

En vue de son transport, l'appareil quitte les établissements du fabricant parfaitement emballé (sur l'emballage sont apposés les étiquettes et les symboles nécessaires à cet effet). L'emballage contient également la notice des instructions d'utilisation. Dans le cas où l'emballage présenterait des dommages ainsi que dans le cas où il s'avérerait qu'il a été manipulé sans les précautions nécessaires, il est impératif d'adresser sans attendre une déclaration au transporteur en y joignant une acceptation de la marchandise sous réserve.

Recommandation importante:

-Le produit est destiné uniquement à un usage intérieur.

N'utilisez jamais cet appareil si le cordon ou la fiche sont endommagés, si l'appareil fait défaut, s'il a été échappé ou endommagé ou immergé. Dans ce cas, retournez cet appareil au centre service autorisé pour examen.

- Pour usage professionnel seulement
- La présente notice des instructions d'utilisation et d'entretien contient d'importantes informations relatives à la sécurité, à l'installation et à l'utilisation; il est nécessaire d'en effectuer attentivement la lecture.
- Les recommandations se réfèrent à l'appareil objet de la présente notice.
- L'appareil est conforme aux normes en vigueur.
- Veiller à bien conserver la notice de telle sorte qu'elle puisse être consultée à tout moment en cas de besoin.
- Ne pas laisser des enfants s'approcher de l'appareil durant son utilisation.
- Pendant la vente ou après le déménagement de l'appareil vérifier que le personnel lise attentivement la présente notice d'utilisation
- L'appareil ne peut être utilisé que par le personnel instruit
- L'appareil ne peut être laissé en marche sans surveillance
- Il est recommandé de faire l'appareil contrôler au moins une fois par an dans un service spécialisé
- Ne pas utiliser que des pièces détachées originelles.
- En cas de défaut ou de mauvaise fonction, débrancher l'appareil (eau, gaz, électricité) et appeler un service spécialisé
- Le fabricant décline toute responsabilité en cas de dommages, directs ou indirects, causés par une mauvaise installation, utilisation , etc

LA LOCATION

Le local dans lequel l'appareil est installé doit être bien ventilé. Si l'appareil doit toucher le parois , celui-ci doit résister à la chaleur de 90°C au minimum. L'installation, le réglage et la mise en marche doivent être effectués par une personne qualifiée ayant une autorisation nécessaire selon les normes en vigueur.

Déballez l'appareil et vérifiez s'il n'était pas endommagé pendant le transport. Placez l'appareil sur une surface horizontale (pente maximale de 2°). Placez l'appareil sous une hotte pour éliminer la vapeur et mauvaise odeur.

L'appareil peut être installé seul ou en série avec d'autres appareils de notre fabrication. Il faut respecter la distance minimale de 10 cm entre l'appareil et d'autres objets ainsi qu'éviter le contact avec les matériaux inflammables. Dans ce cas il faut prévoir les arrangements nécessaires pour assurer la protection des parties inflammables.

INSTRUCTIONS TECHNIQUES POUR INSTALLATION ET REGLEMENT

Important:

Le fabricant ne fournit pas de garantie pour les défauts causés par l'usage, tout manquement impropre aux instructions contenues dans les instructions ci-jointes pour l'utilisation et aux mauvais traitements des appareils.

Installation, réglage et réparation d'appareils pour les cuisines, ainsi que leur élimination en raison de dommages possibles au gaz peut être effectuée qu'en vertu d'un contrat de maintenance, ce contrat peut être signé avec un distributeur agréé, et doivent être conformes à la réglementation technique et normes et réglementations concernant l'installation, l'alimentation, de raccordement de gaz et de la santé et la sécurité du système.

Ces instructions sont destinées au technicien qualifié qui doit effectuer l'installation, le mettre en marche et tester l'appareil.

Toute activité en tant que paramètres, le placement, le rééquilibrage etc, doit être faite que lorsqu'il est périphérique déconnecté de l'électricité. Si il est nécessaire d'avoir le périphérique connecté à l'électricité, vous devez garder la plus grande attention afin d'éviter toute blessure.

MÉSURES DE SÉCURITÉ POUR LA PROTECTION CONTRE INCENDIE SELON EN 06 1008 ARTICLE 21:

- l'appareil ne peut être utilisé que par des personnes majeures
- l'appareil peut être utilisé dans un espace ordinaire selon EN 332000-4-482; 332000-4-42
- l'appareil doit être placé ou suspendu d'une manière stable sur une surface ininflammable

Il est interdit de placer sur l'appareil ou dans la distance inférieure à 10 cm de l'appareil des objets inflammables.

- les distances de sécurité pour les matériaux inflammables selon leurs degré d'inflammabilité et les informations sur l'inflammabilité des matériaux de construction – voir le tableau

Tableau:

degré d'inflammabilité d'un matériel de construction (EN 730823)

A ininflammables	granit, grès, béton, briques, carrelage céramique, enduit
B difficilement inflammables	acumin, héraclite, lihnos, itaver
C1 mal inflammables	bois des arbres feuillus, contre-plaqué, papier durci, umakart
C2 inflammabilité moyenne	aggloméré, solodur, liège, caoutchouc, revêtements
C3 inflammabilité facile	planches de fibre de bois, polystyrène, polyurethane, PVC

L'appareil doit être installé d'une manière sûre. Pour l'ajustage de l'appareil est ce-ci procuré des pieds réglables.

- EN 06 1008 protection contre incendie des consommateurs d'énergie locaux et des émetteurs de chaleur
- EN 33 2000 (33 2000-4-482; 33 2000-4-42) le milieu pour les appareil électriques

BRANCHEMENT ÉLECTRIQUE

Installation de prise de courant – La prise de courant doit avoir un coupe-circuit indépendant en dépendance de puissance fournie de l'appareil. Vérifiez la puissance de l'appareil sur la plaque des caractéristiques techniques.

Branchez l'appareil directement au réseau, il faut mettre un interrupteur entre le réseau et l'appareil, son ouverture de contacts étant 3 mm au minimum. Câble de terre (vert-jaune) ne peut pas être interrompu par cet interrupteur. En tout cas, le câble de prise de courant doit être placé de telle manière que sa température ne dépasse jamais la température du milieu de plus que 50°C. Avant le branchement au réseau, s'assurer que :

- le coupe-circuit et distribution intérieure peuvent endurer la charge de l'appareil (voir la plaque)
- la mise à la terre fonctionne selon les normes en vigueur (EN) et selon la loi
- la prise ou l'interrupteur de circuit sont faciles d'accès

Le fabricant rénonce à toute responsabilité en cas que les normes ne seront pas respectés ainsi qu'en cas de dérogation des règles mentionnés ci-haut.

Avant la première utilisation, il faut retirer le film de protection et nettoyer l'appareil – voir chapitre « nettoyage et entretien ».

Entretien:

Il est recommandé de faire contrôler l'appareil dans un service spécialisé au moins une fois par an. Toutes les interventions peuvent être effectuées seulement par une personne qualifiée ayant une autorisation pour ces interventions.

TUYAU D'AMENÉE DU GAZ

Il faut d'abord déterminer si l'appareil est fait pour le même type de gaz qui sera utilisé et est donc conforme aux indications figurant sur l'étiquette du type de gaz utilisé.

La conversion de la poêle à gaz à un autre type de gaz, vous devez vérifier si elle correspond au type de palier à gaz, ce qui est recommandé dans ce guide.

Connexion de l'appareil à la distribution de gaz doit être tractable à un tube d'acier ou de cuivre se conformer aux exigences applicables nationales. Ce doit être contrôlée sur une base régulière et changé si nécessaire. Chaque appareil doit être équipé d'un robinet d'arrêt et rapide robinet d'arrêt. Rapide robinet d'arrêt doit être librement accessible et à portée de main de l'appareil. Après l'installation, est nécessaire pour vérifier s'il ya une fuite de gaz. Pour trouver une fuite de gaz, vous pouvez utiliser de l'eau savonneuse ou un spray pour la détection de fuite de gaz.

Ne pas utiliser de substances corrosives! Tous nos appareils sont soigneusement contrôlés. Type de gaz, la pression et des catégories énumérées le nom figure sur la plaque de l'information technique.

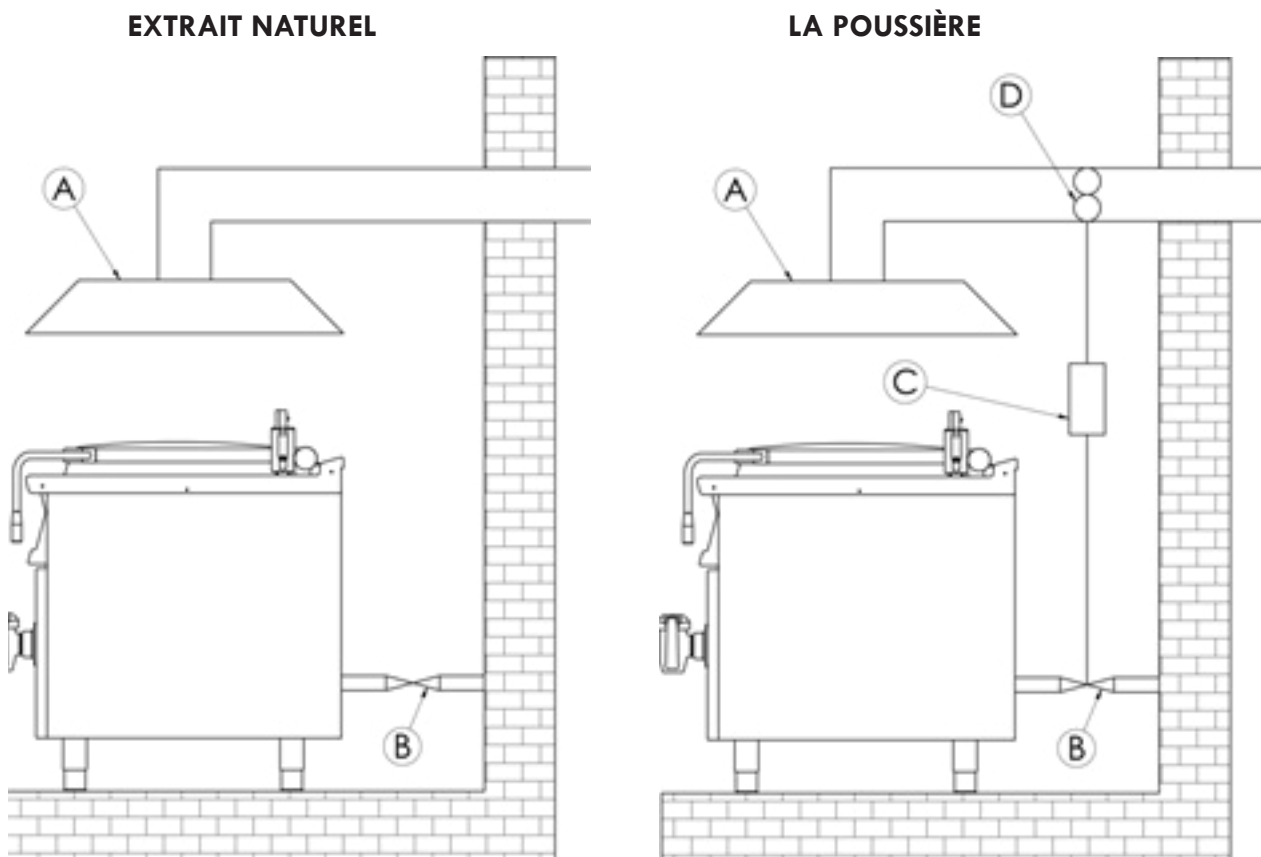
Raccordement au gaz liquide:

La pression de gaz pour le raccordement de liquide doit être 28 ou 30 mbar pour le propane / butane et 37 mbar pour le propane. Il est nécessaire de vérifier l'étiquette technique, d'évaluer la pression et vérifier les paramètres de la buse est installé avec les paramètres requis de la buse selon les indications du fabricant. Si la pression est inférieure à 25mbar ou supérieure à 37 mbar, l'appareil doit ne pas être connecté.

Raccordement au gaz:

Pression pour la connexion du méthane doit être 18 ou 20 mbar. Il est nécessaire de vérifier l'étiquette technique, d'évaluer la pression et vérifier les paramètres de la buse est installé avec les paramètres requis de la buse selon les indications du fabricant. Si la pression du gaz est inférieure à 15mbar ou supérieur à 22,5 mbar, l'appareil doit ne pas être connecté.

CHEMINÉE POUR LA CONCEPTION D'UN DISPOSITIF DE TYPE A



Hotte aspirante avec extraction naturelle (A). Gaz de combustion fournit un tirage de la cheminée naturelle.

Bouchon à la sortie sans extraction naturelle. Des gaz de combustion est assurée par un ventilateur (D) (extraction forcée). Dans ce cas il faut assurer la connexion avec une alimentation en gaz (B) à l'alimentation en gaz en cas de défaillance.

CONTRÔLE DU RÉGLAGE DE L'APPAREIL SUR LE TYPE DU GAZ :

Nos appareils sont certifiés et réglementée du gaz naturel (voir la plaque technique). Conversion ou l'adaptation à un autre type de gaz doit être effectuée par du personnel autorisé. Buses pour différents types de gaz sont dans un sac fourni avec la cuisinière à gaz et sont marqués en centièmes de mm (table des tuyaux de données techniques).

Remplacement de la buse et de réglage de pression (Fig. 1, 2, 3)

Il convient de procéder comme suit:

Retirer la grille de la partie supérieure de la cuisinière, la partie supérieure l'ensemble du brûleur et GN (note 1, 2, 3, 4, fig. 1)

Dévissez la buse (note 5, fig. 2, 3) avec la clé pas. 13 mm et le remplacer par un autre par le type désiré de gaz.

Effectuer le montage dans l'ordre inverse. Assurez-vous que les différentes parties épouser les uns aux autres. Le contrôle aérien (fig. 3, note 8) est toujours complètement ouverte.

Veilleuse peut être ajusté de façon, qui est le besoin délier écrou de sécurité (note 6, fig. 3) avec le numéro de clé 11 mm. Puis, avec le numéro clé de 7 mm, lier ou délier buse (note 7, fig. 3) et régler la flamme dans la taille désirée.

Important:

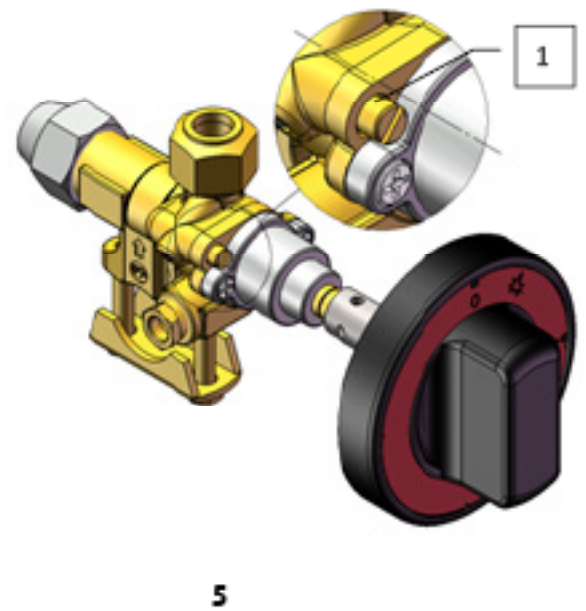
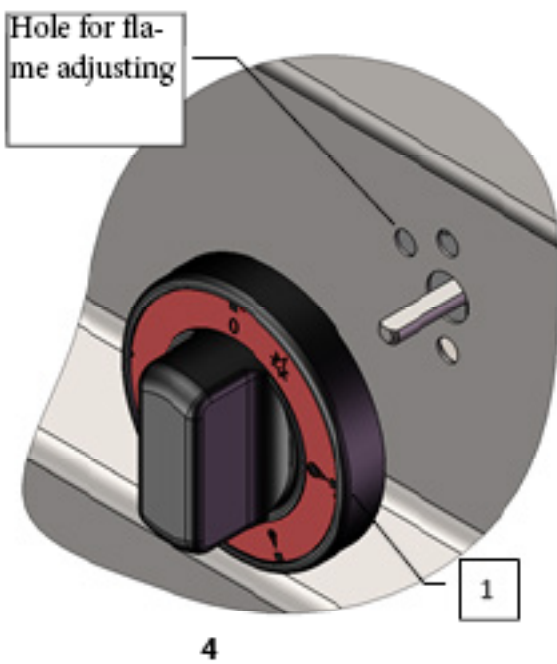
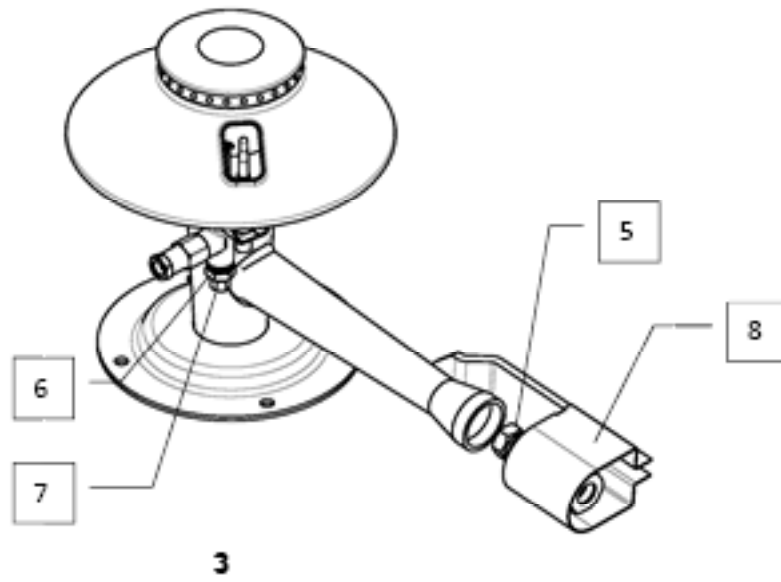
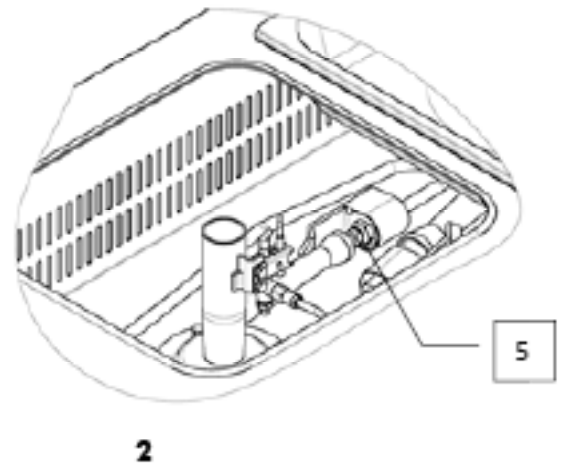
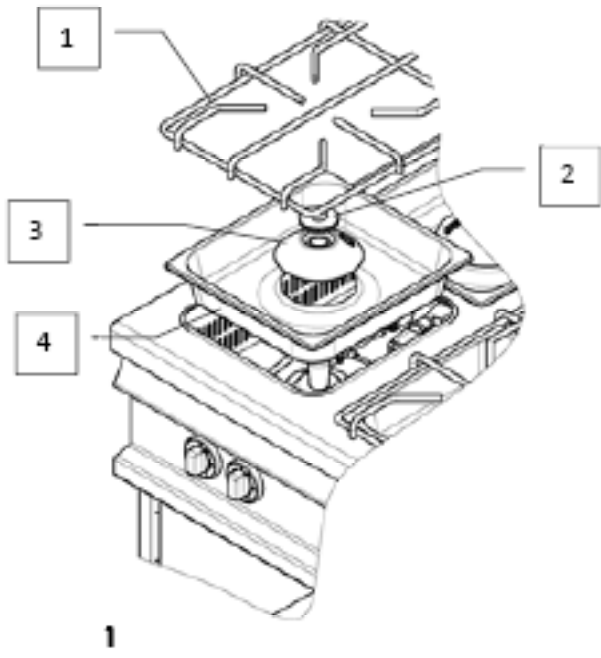
Après ce qui s'est fait ajuster l'appareil à un autre type de gaz, il est nécessaire de changer le gaz indiqué sur la plaque technique situé dans un endroit visible sur le dos de l'appareil.

Réglage de la flamme à la performance „ECONOMIE“ réduite

Flamme à la performance „ECONOMIE“ réduite, peut être réglée avec la vis placée dans le corps de la vanne (Note. 1, fig. 5) placé à côté de tige de soupape

Pour le réglage, procédez comme suit:

- Retirer le bouton de commande (Note. 1, fig 4). Tirant vers vous
- Régler la flamme à travers le trou avec un tournevis plat



INSTRUCTIONS

L'allumage du brûleur principal

Poussez et tournez le bouton de commande du brûleur à la position 1 et provoquer l'allumage du brûleur de la veilleuse. Après l'allumage de la veilleuse reste sur la touche pendant environ 30 secondes pour chauffer le thermocouple. Si la flamme s'éteint, répéter le processus dans son ensemble. Pour allumer le brûleur à pleine puissance, tournez le bouton à la position 2 „Rescue“ puissance réduite est définie tout simplement appuyer sur un bouton et le tourner à la position 3 En mode veille, tournez le bouton vers la droite dans la première position Si vous voulez éteindre le brûleur, appuyez légèrement sur le bouton et le tourner à „0“.

minuteur

La minuterie est utilisée uniquement pour indiquer l'heure ensemble

Contrôle de l'étuve à air

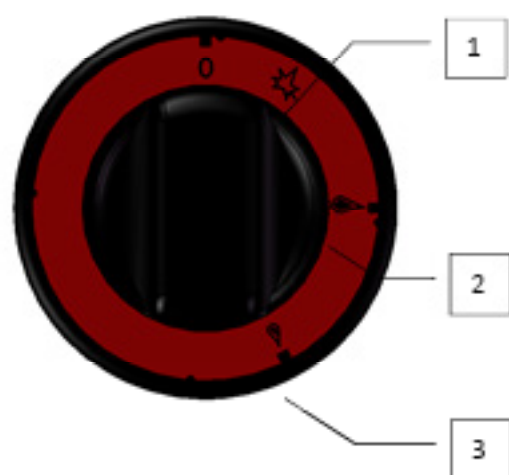
Tournez, tournez le bouton vers la droite, tournez le ventilateur. Ceci est indiqué par une LED verte. Puis tournez le bouton à la température désirée. Travail du chauffage se fait par la LED orange indique quand la lumière s'éteint, le four est préchauffé à la température désirée. Allumez le four vers la gauche dans le „0“ à la gauche.

Contrôle de la four statique

Vous pouvez basculer le contrôleur dans des positions choisies pour la partie supérieure et inférieure des éléments chauffants dans le même temps (position 1), ou chauffage par le sol tout simplement (position 3) ou de chauffage supérieure (position 2). Ceci est indiqué par la LED verte. Tournez le bouton à la température désirée. Installations de chauffage par LED orange lorsque la lumière s'éteint est spécifié, le four est préchauffé à la température désirée. Éteindre le four en tournant les boutons à „0“.

LES TOUCHES DE CONTRÔLE:

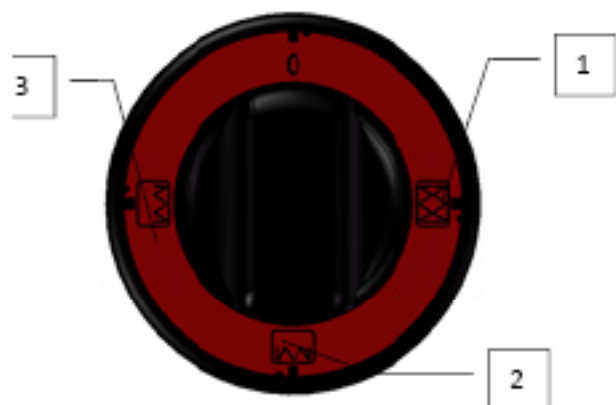
Le bouton de la minuterie



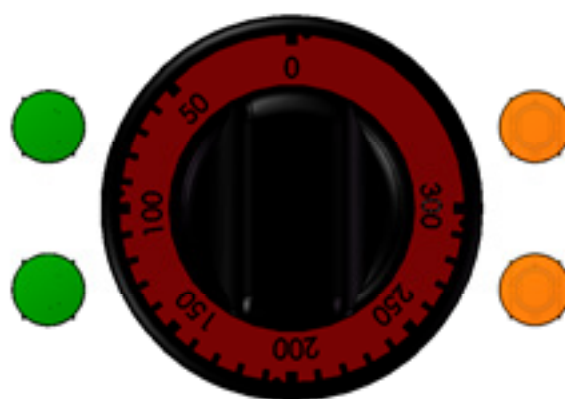
du brûleur bouton



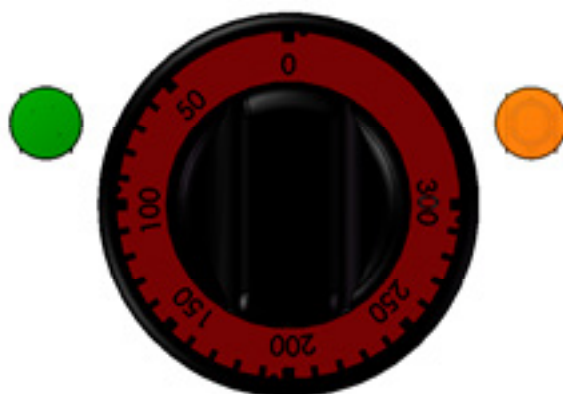
Statique manette du four



Thermorégulation l'acidification statique Ste four



Bouton Four à convection



NETTOYAGE ET ENTRETIEN

Il est recommandé de faire contrôler l'appareil dans un service spécialisé au moins une fois par an. Toutes les interventions peuvent être effectuées seulement par une personne qualifiée ayant une autorisation pour ces interventions.

ATTENTION ! L'appareil ne peut pas être nettoyé sous l'eau courante ou de pression. Nettoyer l'appareil chaque jour. Nettoyage quotidien prolonge la vie et le fonctionnement de l'appareil. Avant le nettoyage vérifier, si l'appareil est débranché. Toujours débrancher l'alimentation principale. Les pièces en inox nettoyer à l'aide d'un torchon humide et un détergent sans particules abrasives, rincer, sécher. Ne jamais utiliser les produits abrasifs ou corrosifs.

Comment procéder en cas de panne de l'appareil

Débrancher l'appareil et appeler le service spécialisé.

AVERTISSEMENT:

La garantie ne concerne pas les bourrelets en caoutchouc, bulbes, parties en verre et en plastique. Elle ne concerne également pas tout l'appareil si l'installation n'a pas été effectuée par une personne qualifiée, selon le mode d'installation ou selon les normes en vigueur ou si l'appareil n'a pas été utilisé selon le mode d'emploi, s'il y avait des interventions nonprofessionnelles (interventions à l'intérieur de l'appareil). La garantie ne concerne pas les endommagements causés par la pluie, vent, etc.

DE VERKLARING VAN OVEREENSTEMMING MET DE NORMEN

De fabrikant verklaart dat de apparaten voldoen aan de basiseisen van de richtlijn 2016/426/EU, 2014/30/EU, 2014/35/EU verordening van de regering nr. 22/1997 Coll., nr. 258/2000 Coll., nr. 258/200 Coll., nr. 118/2016 Coll., nr. 117/2016 Coll.

Technische gegevens

Het typeplaatje met technische gegevens bevindt zich aan de zijkant of op de achterkant van het apparaat. Bestudeer het elektrische schema van het apparaat en alle onderstaande informatie, voordat u overgaat tot installatie van het apparaat.

Producttype	Aansluitvermogen oven GN 1/1	Aansluitvermogen oven GN 2/1	Aansluitvermogen gasoven	Voedingsspanning	Branders vermogen (kW)	Afmetingen (cm)
SPT 90/80 - 11 GE	3,1kW	-	-	400/3N/50	1x3,5 + 1x5 + 2x8,5	80x90x90 v
SPT 90/80 - 21 GE	-	6,3 kW	-	400/3N/50	1x3,5 + 1x5 + 2x8,5	80x90x90 v
SP 90/80 G	-	-	-	-	1x3,5 + 1x5 + 2x8,5	80x90x90 v
SP 90/40 G	-	-	-	-	2x8,5	40x90x90 v
SP 90/120 G	-	-	-	-	1x3,5 + 1x5 + 4x8,5	120x90x90 v
SPT 90/120-21 G	-	-	7,3 kW	-	1x3,5 + 1x5 + 4x8,5	120x90x90 v
SPT 90/120-21 GE	-	6,3 kW	-	400/3N/50	1x3,5 + 1x5 + 4x8,5	120x90x90 v
SPT 90/80-21 G	-	-	7,3 kW	-	1x3,5 + 1x5 + 2x8,5	80x90x90 v

Controle van de verpakking en het apparaat

Het apparaat verlaat ons magazijn in een verpakking die voldoet aan alle voorschriften en waarop zich de vereiste symbolen en markeringen bevinden. In de verpakking bevindt zich de overeenkomstige gebruiksaanwijzing. Indien de verpakking beschadigd is of wijst op onjuist transport, dient u dit onmiddellijk te reclameren bij de transporteur door middel van ondertekening van een schadeprotocol. Latere indiening van klachten wordt niet in aanmerking genomen.

Belangrijke aanwijzingen

Lees deze gebruiksaanwijzing aandachtig en nauwkeurig door, omdat zij belangrijke informatie bevat over veiligheidsvoorzieningen, installatie en gebruik van het apparaat.

- Het product is alleen bedoeld om binnenshuis te worden gebruikt.
- Gebruik het apparaat nooit als de stroomtoevoer of stekker beschadigd is, als het niet juist werkt, het op de grond is gevallen en beschadigd of in het water is gevallen. Breng in dergelijke gevallen het apparaat naar een gespecialiseerde service om te controleren of het apparaat veilig is en correct werkt.
- Deze aanbevelingen zijn van toepassing op dit product of productlijn.
- Deze handleiding moet zorgvuldig bewaard worden voor toekomstig gebruik.
- Zorg ervoor dat kinderen het apparaat niet kunnen bedienen.
- Wanneer u hebt apparaat verkoopt of verplaatst, zorg er dan voor dat de persoon die het apparaat bedient of er de service van doet, bekend is met het gebruik en de installatie-instructies in de bijgevoegde handleiding.
- Het product mag uitsluitend worden bediend door een persoon die bekend is met deze gebruiksaanwijzingen.
- Het ingeschakelde apparaat niet zonder toezicht laten werken.
- Wij bevelen aan om het apparaat minimaal 2x per jaar een gespecialiseerde controle en onderhoudsbeurt te geven.
- Gebruik uitsluitend originele onderdelen bij eventuele reparatie of vervanging van onderdelen.
- Het apparaat mag niet schoongemaakt worden met een waterstraal of een hogedrukreiniger.
- Bij storingen of wanneer het apparaat niet goed werkt alle leidingen (water, stroom, gas) afsluiten en contact opnemen met de geautoriseerde service.
- De producent is niet aansprakelijk voor storingen die zijn veroorzaakt door incorrecte installatie, het niet in acht nemen van bovengenoemde aanbevelingen, gebruik dat niet in overeenstemming is met de bestemming van het apparaat enz.
- Het apparaat mag alleen worden gebruikt voor het doel waarvoor het is bedoeld. Elk ander gebruik is verboden en kan leiden tot gevaar of letsel
- Er moet worden gezorgd voor de strengste naleving van de brandbeveiligingsregels
- Tijdens en kort na het bedrijf zijn sommige delen van het apparaat heet
- Het is verboden om tijdens de werking andere delen van het apparaat aan te raken dan de hiervoor bedoelde bedieningselementen

Plaatsing

De volgende richtlijnen in overeenstemming met de normen TPG G 704 01, ČSN 127040 en ČSN 127010 moeten in acht worden genomen voor de juiste werking en opstelling van het apparaat.

Pak het apparaat uit een controleer of het tijdens het transport niet is beschadigd. Plaats het apparaat op een horizontale oppervlakte (de maximale oneffenheid mag maximaal 2° bedragen). Kleine oneffenheden kunnen worden opgevangen met de stelvoeten.

Als het apparaat zodanig geplaatst is dat het in contact komt met de wanden van het meubilair, dan moeten deze bestand zijn tegen temperatuur tot 60 °C. Installatie, afstelling en inbedrijfstelling moet door een gekwalificeerd persoon uitgevoerd worden die bevoegd is voor deze handelingen in overeenstemming met de toepasselijke normen.

Het apparaat kan afzonderlijk worden geïnstalleerd of in serie met door ons geproduceerde apparaten. Er moet een minimale afstand van 10 cm tot brandbare materialen aangehouden worden. In dit geval is het ook noodzakelijk de nodige aanpassingen uit te voeren om de warmte-isolatie van de brandbare onderdelen te waarborgen.

Het apparaat mag alleen worden geïnstalleerd op een onbrandbare ondergrond of tegen een onbrandbare wand.

De kleinste vereiste luchtstroming vanuit de buitenruimte voor de apparaten van versie A ligt in het bereik van 5-20 m³/h, afhankelijk van het type apparaat. Het hangt af van de installatievoorschriften van het land van bestemming.

De door de fabrikant of zijn vertegenwoordiger beveiligde onderdelen van het apparaat mag de persoon die de installatie van het product doet, niet wijzigen.

Installatie

Belangrijk:

De fabrikant verleent geen garantie voor storingen die zijn ontstaan als gevolg van oneigenlijk gebruik, het niet in acht nemen van de instructies in bijgevoegde gebruikershandleiding en verkeerde hantering van het apparaat.

Installatie-, aanpassings- en reparatiewerkzaamheden op het apparaat voor grote keukens, evenals hun demontage als gevolg van mogelijke schade aan de gastoevoer, kunnen alleen worden uitgevoerd op basis van een onderhoudscontract. Dit contract kan met een geautoriseerde verkoper afgesloten worden, met inachtneming van de technische voorschriften en normen en voorschriften betreffende installatie, elektrische toevoerleidingen, gasaansluiting en arbeidsveiligheid.

Technische instructies voor installatie en afstelling zijn **UITSLUITEND** bestemd om door gespecialiseerde technici te worden gebruikt.

De volgende instructies zijn bestemd voor een technicus die de juiste kwalificaties bezit voor de installatie, om te verzekeren dat hij alle handelingen op de juiste manier en in overeenstemming met de geldende normen kan uitvoeren.

Iedere handeling die te maken heeft met onder andere regulatie, moet worden uitgevoerd terwijl het apparaat is losgekoppeld van de stroomvoorziening. Indien het apparaat toch onder spanning moet staan, dient u de grootst mogelijke voorzichtigheid in acht te nemen.

Het type apparaat voor de uitvoering van afzuiging staat vermeld op het typeplaatje, dit zijn de apparaten van het type A1.

Plaatsing

De volgende richtlijnen in overeenstemming met de normen TPG G 704 01, ČSN 127040 en ČSN 127010 moeten in acht worden genomen voor de juiste werking en opstelling van het apparaat.

Pak het apparaat uit een controleer of het tijdens het transport niet is beschadigd. Plaats het apparaat op een horizontale oppervlakte (de maximale oneffenheid mag maximaal 2° bedragen). Kleine oneffenheden kunnen worden opgevangen met de stelvoeten.

Als het apparaat zodanig geplaatst is dat het in contact komt met de wanden van het meubilair, dan moeten deze bestand zijn tegen temperatuur tot 60 °C. Installatie, afstelling en inbedrijfstelling moet door een gekwalificeerd persoon uitgevoerd worden die bevoegd is voor deze handelingen in overeenstemming met de toepasselijke normen.

Het apparaat kan afzonderlijk worden geïnstalleerd of in serie met door ons geproduceerde apparaten. Er moet een minimale afstand van 10 cm tot brandbare materialen aangehouden worden. In dit geval is het ook noodzakelijk de nodige aanpassingen uit te voeren om de warmte-isolatie van de brandbare onderdelen te waarborgen.

Het apparaat mag alleen worden geïnstalleerd op een onbrandbare ondergrond of tegen een onbrandbare wand.

De kleinste vereiste luchtstroming vanuit de buitenruimte voor de apparaten van versie A ligt in het bereik van 5-20 m³/h, afhankelijk van het type apparaat. Het hangt af van de installatievoorschriften van het land van bestemming.

De door de fabrikant of zijn vertegenwoordiger beveiligde onderdelen van het apparaat mag de persoon die de installatie van het product doet, niet wijzigen.

Installatie

Belangrijk:

De fabrikant verleent geen garantie voor storingen die zijn ontstaan als gevolg van oneigenlijk gebruik, het niet in acht nemen van de instructies in bijgevoegde gebruikershandleiding en verkeerde hantering van het apparaat.

Installatie-, aanpassings- en reparatiewerkzaamheden op het apparaat voor grote keukens, evenals hun demontage als gevolg van mogelijke schade aan de gastoevoer, kunnen alleen worden uitgevoerd op basis van een onderhoudscontract. Dit contract kan met een geautoriseerde verkoper afgesloten worden, met inachtneming van de technische voorschriften en normen en voorschriften betreffende installatie, elektrische toevoerleidingen, gasaansluiting en arbeidsveiligheid.

Technische instructies voor installatie en afstelling zijn **UITSLUITEND** bestemd om door gespecialiseerde technici te worden gebruikt.

De volgende instructies zijn bestemd voor een technicus die de juiste kwalificaties bezit voor de installatie, om te verzekeren dat hij alle handelingen op de juiste manier en in overeenstemming met de geldende normen kan uitvoeren.

Iedere handeling die te maken heeft met onder andere regulatie, moet worden uitgevoerd terwijl het apparaat is losgekoppeld van de stroomvoorziening. Indien het apparaat toch onder spanning moet staan, dient u de grootst mogelijke voorzichtigheid in acht te nemen.

Het type apparaat voor de uitvoering van afzuiging staat vermeld op het typeplaatje, dit zijn de apparaten van het type A1.

Veiligheidsvoorzieningen in verband met brandpreventie conform ČSN 061008 art. 21

- het apparaat mag uitsluitend door volwassenen bediend worden
- het apparaat kan veilig gebruikt worden in overeenstemming van de volgende normen:
ČSN 33 2000-4-482: Brandbeveiliging in gebieden met een speciaal risico of gevaar
ČSN 33 2000-4-42: Bescherming tegen invloeden van warmte

- het apparaat moet zo worden geplaatst dat het stevig staat of hangt op een vuurbestendige ondergrond
Op of naast het apparaat mogen zich geen brandbare voorwerpen bevinden binnen de veilige afstand die voor het apparaat is vastgesteld (de kleinste afstand tot brandbare materialen bedraagt 10 cm).

Tabel: De mate van brandbaarheid van bouwmaterialen (ČSN 730823) weergegeven per substantie en product

Mate van brandbaarheid	Bouwmaterialen
A – niet brandbaar	Graniet, zandsteen, beton, baksteen, keramische bekleding, pleisterwerk
B – heel moeilijk brandbaar	Acuminiet, heracliet, lihnos, itaver
C1 – moeilijk brandbaar	Hout, loofhout, fineer, sirkoklit, verstevigd papier, umakart
C2 – gemiddeld brandbaar	Spaanplaat, solodur, kurkplaat, harde rubber, vloerbedekking
C3 – zeer brandbaar	Vezelplaat, polystyreen, polyurethaan, PVC

- Informatie over mate van brandbaarheid van gewone bouwmaterialen staan in de tabel hieronder. Installeer het apparaat op veilige wijze. Neem bij de installatie de voorschriften voor ontwerp, veiligheid en arbeidshygiëne in acht overeenkomstig:
 - ČSN 06 1008 brandveiligheid van lokale apparaten en warmtebronnen
 - ČSN 33 2000-4-482 brandbeveiliging in gebieden met een speciaal risico of gevaar
 - ČSN 33 2000-4-42 bescherming tegen invloeden van warmte

De aansluiting van de gas slangaansluiting

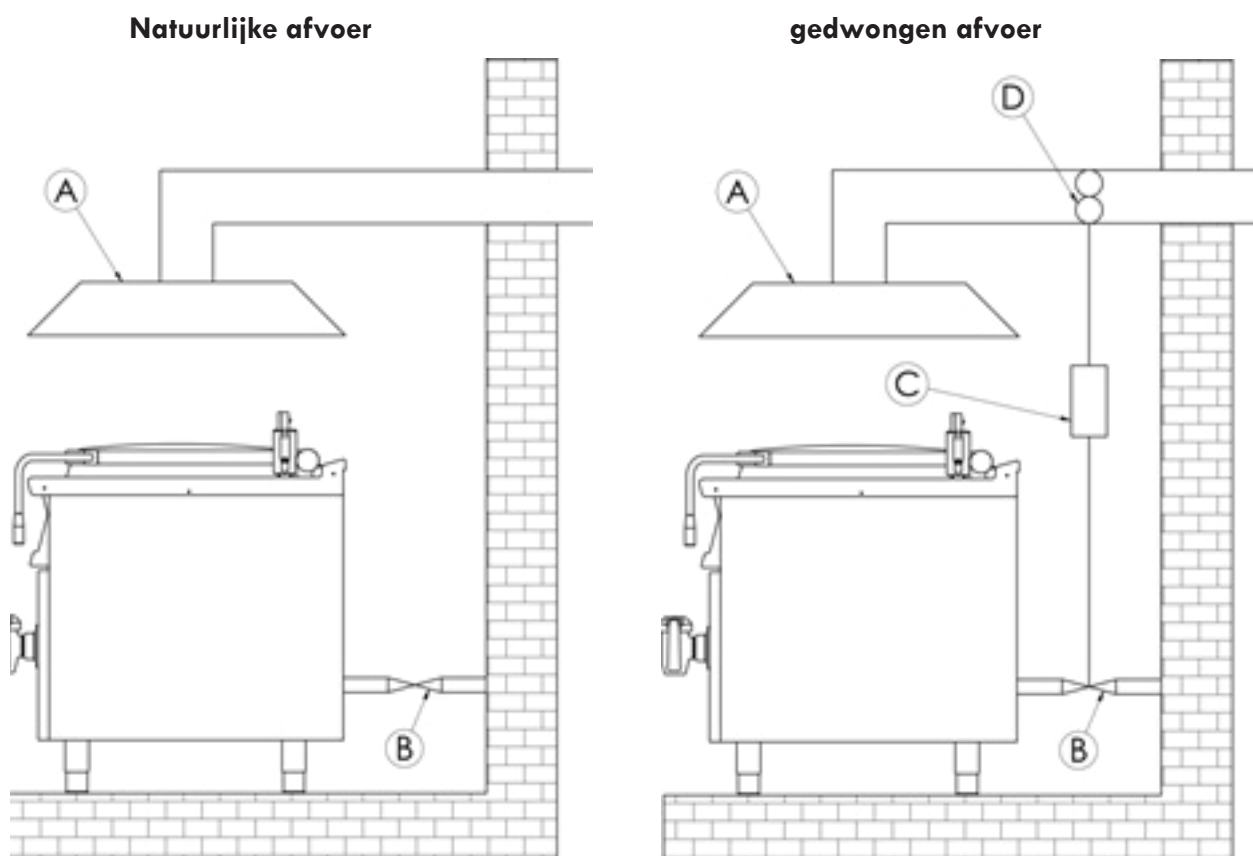
Het aansluiten van het apparaat op de gasleiding moet via een stalen of koperen slang uitgevoerd worden die overeenkomt met de toepasselijke nationale vereisten. De buis moet regelmatig gecontroleerd worden en indien nodig, vervangen worden. Elk apparaat moet uitgerust zijn met een afsluiter en een snelafsluiter. De snelafsluiter moet vrij toegankelijk en binnen handbereik van het apparaat zijn. Na het voltooien van de installatie moet gecontroleerd worden of er geen gaslek is. Om een eventueel gaslek op te sporen, kunt u een sopje of detectiespray gebruiken.

Gebruik geen stoffen die corrosie veroorzaken! Alle onze apparaten worden zorgvuldig gecontroleerd. Gastype, druk en aanduiding van de betreffende categorie zijn vermeld op het typeplaatje.

Aansluiting op vloeibaar gas:

De druk voor de aansluiting op vloeibaar gas moet 28 of 30 mbar voor propaan/butaan en 37 mbar voor propaan zijn. Het is noodzakelijk het plaatje te controleren, de druk te meten en te controleren of de parameters van de gebruikte sproeier overeenkomen met de gewenste parameters van de sproeier, overeenkomstig de eisen van de fabrikant. Als de druk lager is dan 25 mbar of hoger dan 37 mbar, **MAG HET APPARAAT NIET AANGESLOTEN WORDEN**. Aansluiting op aardgas: De druk voor de aansluiting op methaan moet 18 of 20 mbar zijn. Het is noodzakelijk het plaatje te controleren, de druk te meten en te controleren of de parameters van de gebruikte sproeier overeenkomen met de gewenste parameters van de sproeier, overeenkomstig de eisen van de fabrikant. Als de druk lager is dan 15 mbar of hoger dan 22,5 mbar, **MAG HET APPARAAT NIET AANGESLOTEN WORDEN**

INSTRUCTIES VOOR HET UITVOEREN VAN GASAFVOER –TYPE A



Natuurlijke afvoer, gedwongen afvoer

De uitgang van de afzuigkap bevindt zich in een apart schoorsteenlichaam (A). Rookgasafvoer zorgt voor een natuurlijke trek van de schoorsteen.

De uitgang van de afzuigkap heeft geen natuurlijke afvoer. De rookgasafvoer wordt verzorgd door een ventilator (D), (gedwongen afvoer). In dit geval is het noodzakelijk om een aansluiting op de gastoevoer (B) te voorzien om de gastoevoer uit te schakelen bij een storing.

CONTROLE VAN DE APPARAATINSTELLING OP HET TYPE GAS

Onze apparaten zijn gecertificeerd en gereguleerd voor aardgas (zie typeplaatje). Het ombouwen of converteren van het apparaat naar een ander gastype mag alleen worden uitgevoerd door een bevoegde technicus. De sproeiers voor verschillende soorten gas zitten in de bijgevoegde zak en zijn gemarkeerd in honderdsten van een mm (tab. 2).

Vervanging van de brander sproeiers en het afstellen van de pilootbrander (afb. 1, 2, 3):

Ga als volgt te werk: Verwijder het rooster, de vlamverstuiver, het branderlichaam en de gastrocontainer (pos. 1, 2, 3, 4, afb. 1). Draai de sproeier (pos. 5, afb. 2, 3) met behulp van de sleutel 13 mm los en vervang deze door de vereiste, afhankelijk van het type gas (tab. 2). Montage in omgekeerde volgorde. Zorg ervoor dat alle delen goed in elkaar passen. De luchtregeling (afb. 3, pos. 8) staat altijd volledig open.

Stel de pilootbrander af door de borgmoer (pos. 6, afb. 3) met behulp van de sleutel 11 mm los te draaien, daarna met de sleutel 7 mm de sproeier (pos. 7, afb. 3) los of vast te draaien en vervolgens de vlam op de gewenste grootte af te stellen.

Belangrijk:

Nadat het apparaat aan een andere soort gas aangepast is, moet u de wijziging van gas op het typeplaatje markeren en de volgende stappen uitvoeren:

- Op eventuele gaslekken controleren
- Ontsteking en de vlam van de hoofdbrander controleren
- De vlam van de hoofdbrander op min. Vermogen "SPAARMODUS" controleren

AFSTELLEN VAN DE VLAM BIJ LAGERE PRESTATIE "SPAARMODUS"

Bij het instellen van de kraan op het verminderde vermogen "SPAARMODUS", stel de vlam af met de schroef in het kraanlichaam (pos. 1, afb. 5). Ga als volgt te werk om de vlam af te stellen:

Verwijder de regelknop (pos. 1, afb. 4) door deze naar u te trekken

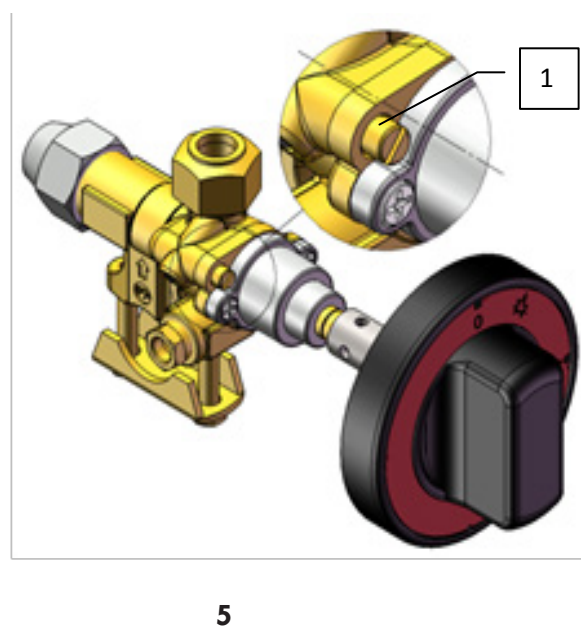
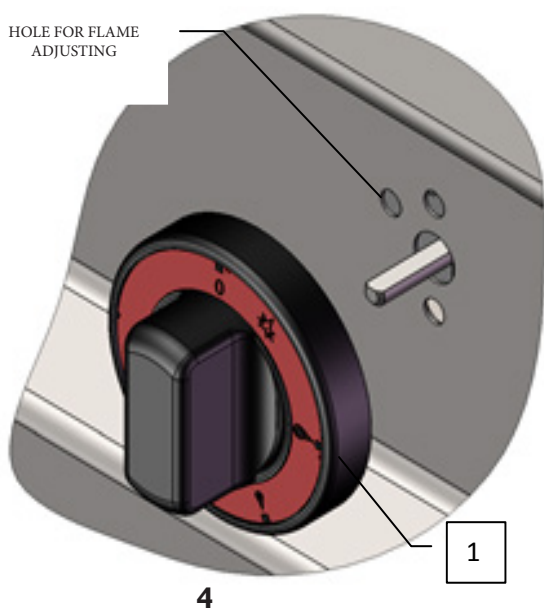
- Er is een opening voor regeling van de vlam naast de kraanas, regel de vlam met behulp van een platte schroevendraaier

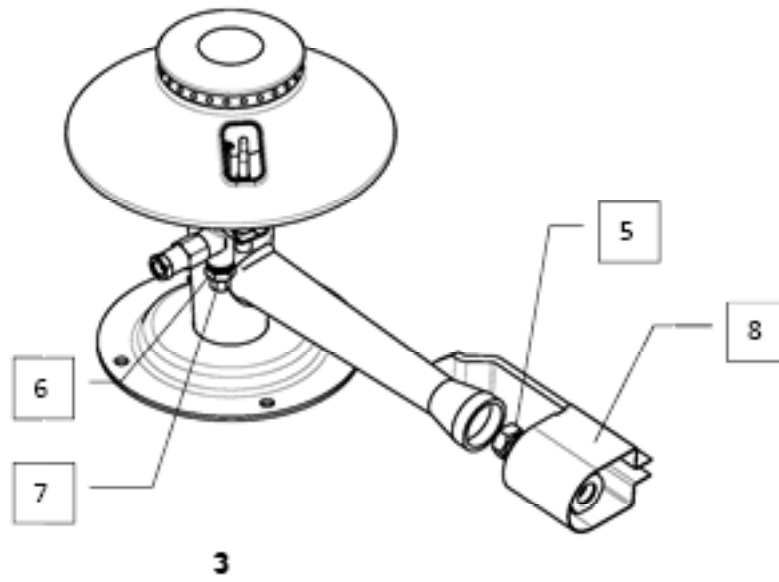
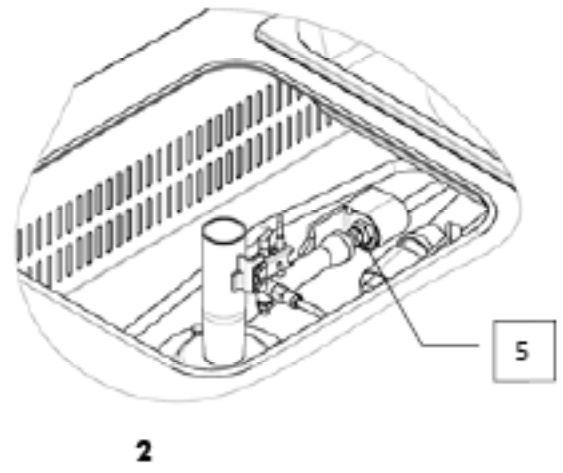
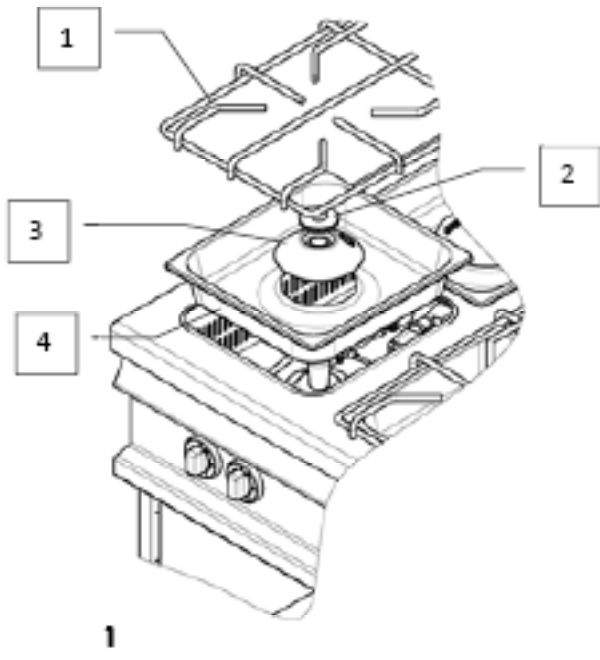
VERVANGING VAN DE SPROEIERS EN AFSTELLING VAN DE GASOVEN BRANDER (zie de afb. hieronder):

Ga als volgt te werk voor vervanging van de gasovenbrander sproeier: 1) Open de deur van de oven en verwijder de afdekplaat van de oven (valse bodem van de kamer). 2) Demonteer de afdekking van de brandertoevoer (afb. 2) 3) Schroef volgens de afbeelding 3 de sproeier los van de hoofdbrander en vervang door de sproeier volgens de tabel "TECHNISCHE SPECIFICATIES VAN DE BRANDERS" 4) Stel de luchttoevoer voor het betreffende gas (afb. 4) in volgens de tabel "TECHNISCHE SPECIFICATIES VAN DE BRANDERS".

VERVANGING VAN DE SPROEIERS EN HET AFSTELLEN VAN DE PILOOTBRANDER VAN DE GASOVEN

Ga als volgt te werk voor vervanging van de gasovenbrander sproeier: 1) Schroef de moer volgens de afb. 5 pos. 1 los. 2) Demonteer de koperen toevoerbuis van de pilootbrander. 3) Volgens de afb. 5 pos. 2 schroef de sproeier los van de hoofdbrander en vervang door de sproeier volgens de tabel "TECHNISCHE SPECIFICATIES VAN DE BRANDERS". 4) Monteer de koperen buis van de pilootbrander terug en bevestig deze met de moer volgens de afb. 5, pos. 1.





GEBRUIKSAANWIJZING

Opgelet! Voordat u het apparaat gebruikt, moet u de beschermende folie van het gehele oppervlak verwijderen, het vervolgens goed met water en afwasmiddel wassen en daarna met een vochtige doek afnemen.

De brander aansteken en afstellen

Na het indrukken en draaien van de regelknop van de betreffende brander naar de positie 1, steek de pilootbrander aan. Houd na het ontsteken van de pilootbrander de knop nog ca. 30 seconden ingedrukt zodat de thermische zekering kan opwarmen. Herhaal de hele procedure als de vlam uitgaat.

Na het ontsteken van de brander op vermogen, draai de knop naar de positie 2.

De “SPAARMODUS” wordt ingesteld door lichtjes op de knop te drukken en naar de positie 3 te draaien.

Schakel over naar de stand-by modus door de kraan naar rechts in positie 1 te draaien.

Als u de brander wilt uitschakelen, druk lichtjes op de knop en draai hem naar de positie “0”.

Instructie voor afvoer van de gas verbrandingsproducten

De apparaten van het type A (zie typeplaatje)

Een apparaat van het type A (d.w.z. het apparaat dat niet bedoeld is om te worden aangesloten op een verbrandingsgassen afvoer of op een andere voorziening voor het afvoeren van de verbrandingsgassen buiten de ruimte waar het apparaat zich bevindt) moet zodanig geïnstalleerd worden in een ruimte met voldoende ventilatie, die uitgevoerd is conform CSN 12 7010:1986 a CSN 12 7040:1986, om de ophoping van gezondheidsschadelijke stoffen in een onaanvaardbare concentratie in deze ruimte te voorkomen (het voldoen aan de vereiste van de hygiënevoorschriften inzake de werkomgeving vol. 39/78 van de richtlijn 46).

Voorzichtig:

Laat de ingeschakelde kookplaten niet leeg. Er is gevaar van beschadiging.

BEDIENING VAN DE STATISCHE OVEN

Met de bedieningsknop van de statische oven kunt u kiezen, of u met boven- of onderverwarmingselementen (positie 1) of alleen de onderste verwarmingselementen (positie 3) of bovenste verwarmingselementen (positie 2) zult bakken. Dit wordt aangegeven door groene controlelampjes. Stel de gewenste temperatuur van de statische oven in met de regelknop. De werking van de verwarmingselementen wordt aangegeven door witte controlelampjes. Deze lampjes gaan uit als de oven de ingestelde temperatuur bereikt. Door beide knoppen naar de positie “0” te draaien, wordt de oven uitgeschakeld.

BEDIENING VAN DE GASOVEN

Aansteken en afstellen van de ovenbrander:

Om de oven te ontsteken, open de oven deur, draai met de knop naar het ontstekingsymbool, houd de knop ingedrukt en druk daarna op de knop van de piëzo ontsteking totdat het gas ontsteekt. De vlam kan worden gecontroleerd door de opening in de ovenbodem. Laat de knop na ca. 10 seconden los. Als de waakvlam uitgaat, moet u de hele procedure herhalen. Als de knop naar de ontstekingpositie van de waakvlam gedraaid wordt, gaat de hoofdbrander uit en blijft de waakvlam branden. Om de hoofdbrander aan te steken, draai de knop naar links en stel de gewenste temperatuur in. Draai de bedieningsknop naar de positie “0” om de oven volledig uit te schakelen.

BEDIENING VAN DE HETELUCHTOVEN

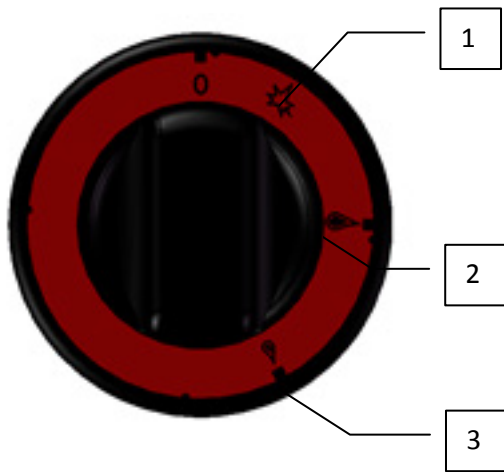
Door de regelknop naar rechts te draaien, wordt de ventilator ingeschakeld. Dit wordt aangegeven door het groene controlelampje. Na de knop opnieuw naar rechts te draaien, wordt de gewenste temperatuur ingesteld. De werking van het verwarmingselement wordt aangegeven door het oranje controlelampje. Dit lampje gaat uit als de oven de ingestelde temperatuur bereikt. Door deze knop naar links naar de positie “0” te draaien, wordt het apparaat uitgeschakeld.

OPMERKING

De garantie dekt niet alle verbruiksartikelen die onderhevig zijn aan normale slijtage (rubber dichtingen, lampjes, glazen en plastic onderdelen enz.). De garantie strekt zich ook niet uit over apparaten die niet zijn geïnstalleerd door bevoegde personen in overeenstemming met de instructies in de gebruiksaanwijzing en de van toepassing zijnde normen en indien het apparaat onjuist is behandeld (ingrepen in binneapparatuur) of indien is het apparaat bediend door ongetraind personeel en in de strijd met de gebruiksaanwijzing. Verder dekt de garantie niet schade veroorzaakt door natuurlijke verschijnselen of andere externe invloeden. De transportverpakkingen en apparaten moeten aan het einde van hun levensduur overhandigd worden aan

CONTROL BUTTONS:

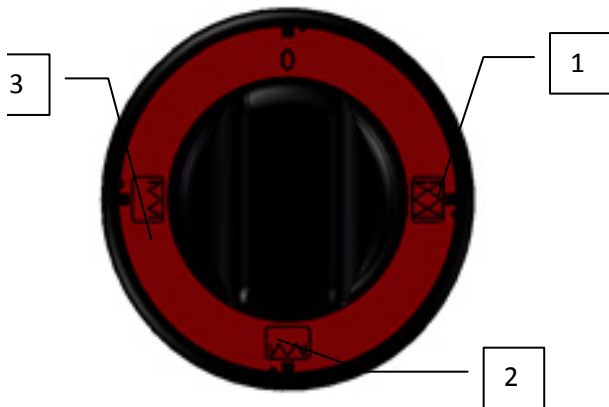
The burner control knob



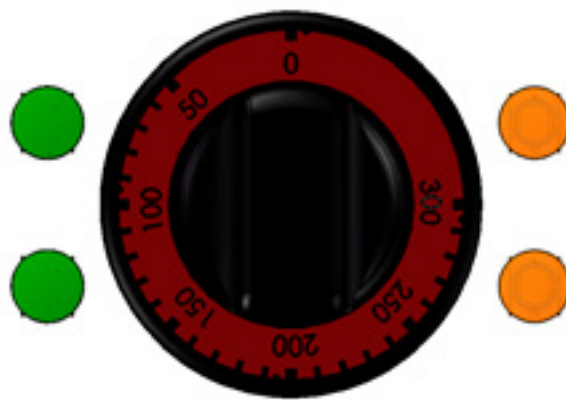
The timer control knob



Static oven control knob



The thermoregulation static oven control knob



Convection oven control knob



REINIGING EN ONDERHOUD

Het apparaat moet ten minste 2x per jaar door een gespecialiseerde service gecontroleerd worden. Alle ingrepen aan het apparaat mogen slechts door een gekwalificeerd persoon worden uitgevoerd, die daartoe bevoegd is.

OPGELET! Het apparaat mag niet schoongemaakt worden met een directe waterstraal of met een hogedrukreiniger. Maak het apparaat elke dag schoon. Dankzij het dagelijks onderhoud bent u verzekerd van een lange levensduur en de efficiëntie van het apparaat. Controleer voordat u begint met schoonmaken of het apparaat is losgekoppeld van het elektriciteitsnet. Onderbreek altijd de stroomvoorziening van het apparaat. Maak de elementen van roestvrijstaal schoon met een vochtige doek en een klein beetje schoonmaakmiddel zonder schurende deeltjes en droog met een doek. Gebruik geen schurende of corrosieve schoonmaakmiddelen.

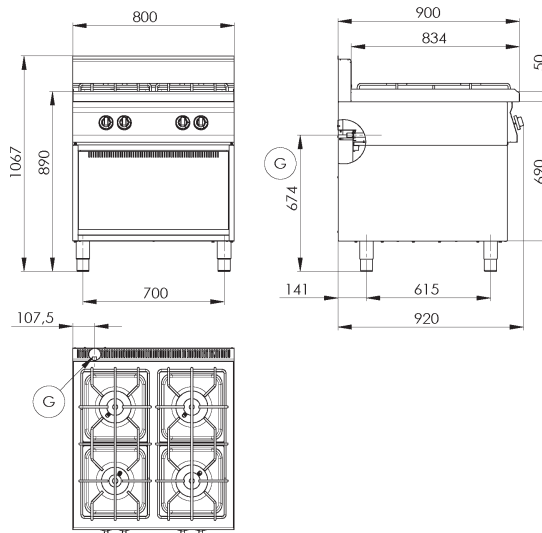
Opgelet! Voordat u het apparaat gebruikt, moet u de beschermende folie van het gehele oppervlak verwijderen, het vervolgens goed met water en schoonmaakmiddel wassen en daarna met een vochtige doek afnemen.

Maatregelen bij storingen Onderbreek de stroom-/gasvoorziening en neem contact op met de serviceafdeling van de verkoper.

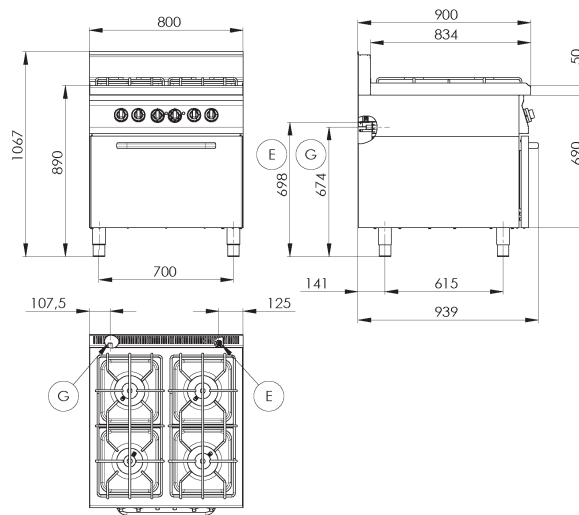
De garantie dekt niet alle verbruiksartikelen die onderhevig zijn aan normale slijtage (rubber dichtingen, lampjes, glazen en plastic onderdelen enz.). De garantie strekt zich ook niet uit over apparaten die niet zijn geïnstalleerd door bevoegde personen in overeenstemming met de instructies in de gebruiksaanwijzing en de van toepassing zijnde normen en indien het apparaat onjuist is behandeld (ingrepen in binnenapparatuur enz.) of indien het apparaat bediend is door ongetraind personeel en in de strijd met de gebruiksaanwijzing. Verder dekt de garantie geen schade veroorzaakt door natuurlijke verschijnselen of andere externe invloeden.

De transportverpakkingen en apparaten moeten aan het einde van hun levensduur aan een inzamelplaats overhandigd worden, in overeenstemming met de voorschriften voor afval en gevaarlijk afval beheer.

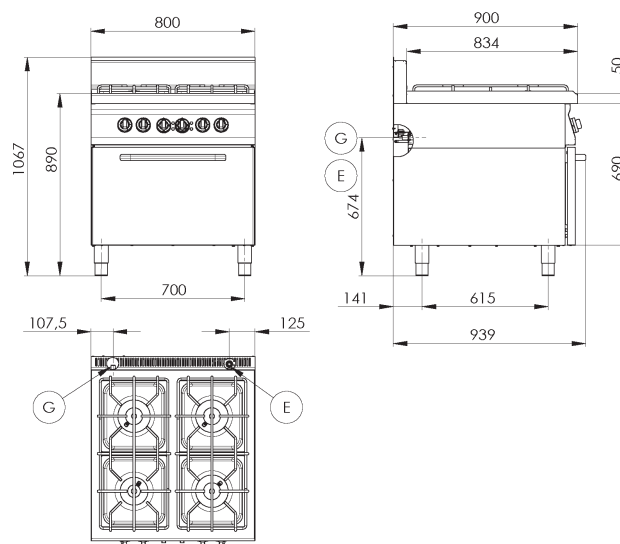
SP 90/80 G



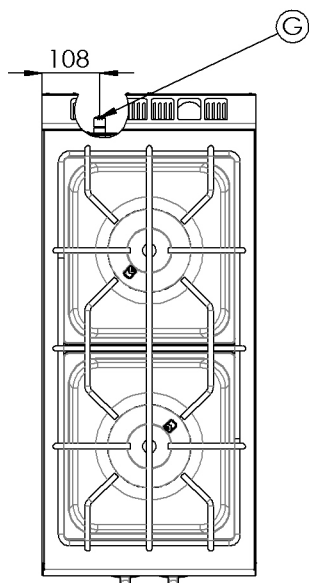
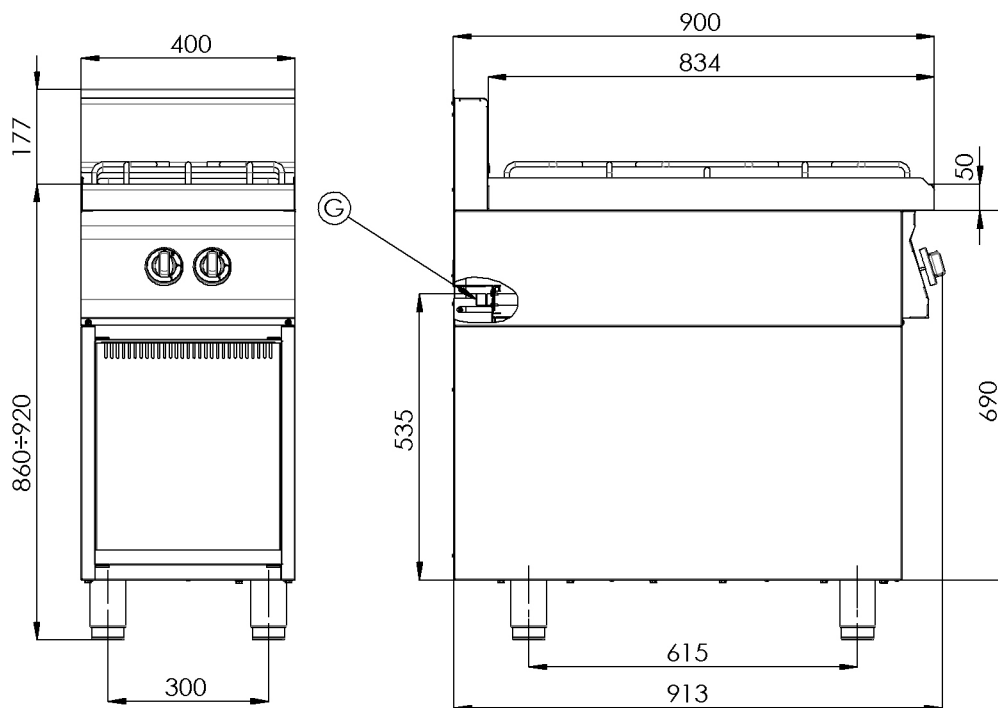
SPT 90/80 - 11 GE



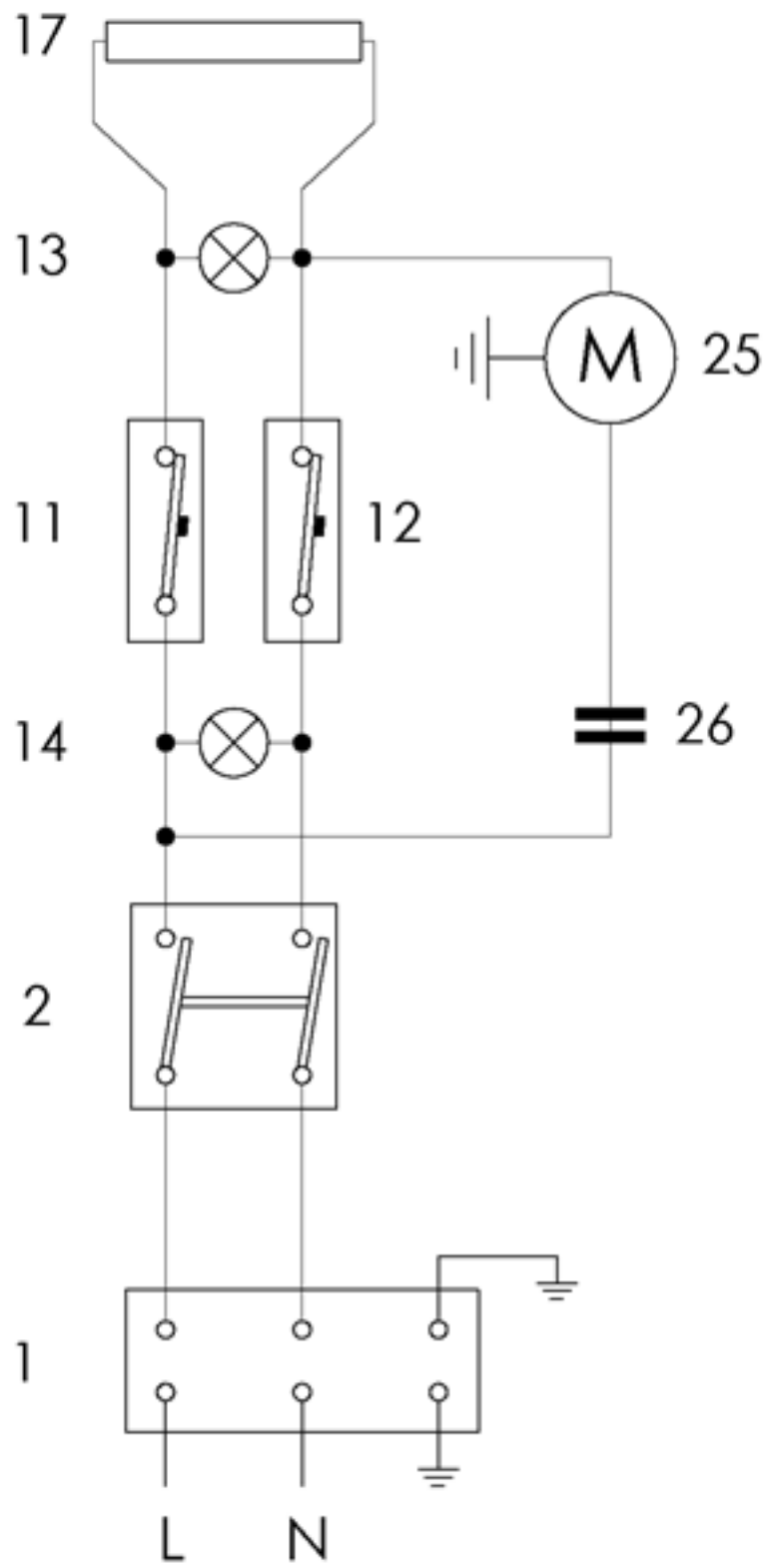
SPT 90/80 - 21 GE



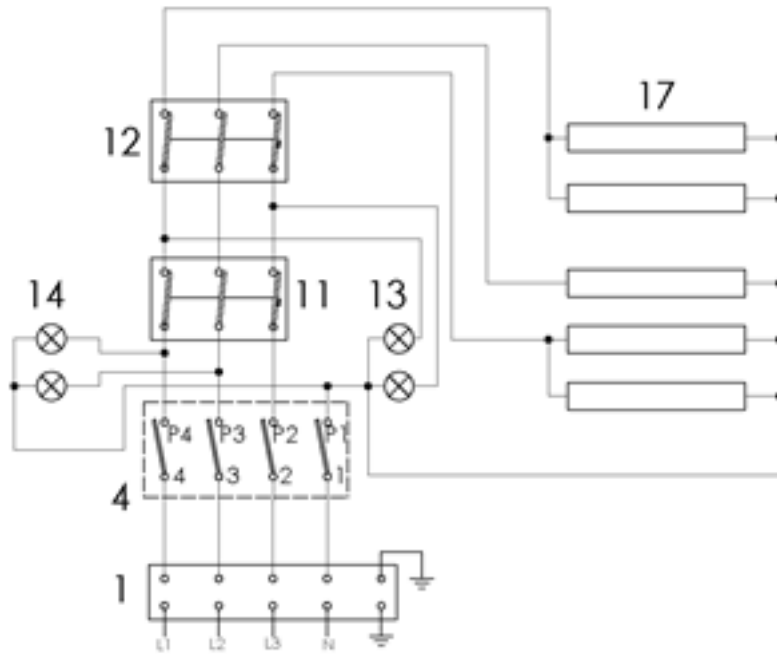
SP 90/40 G



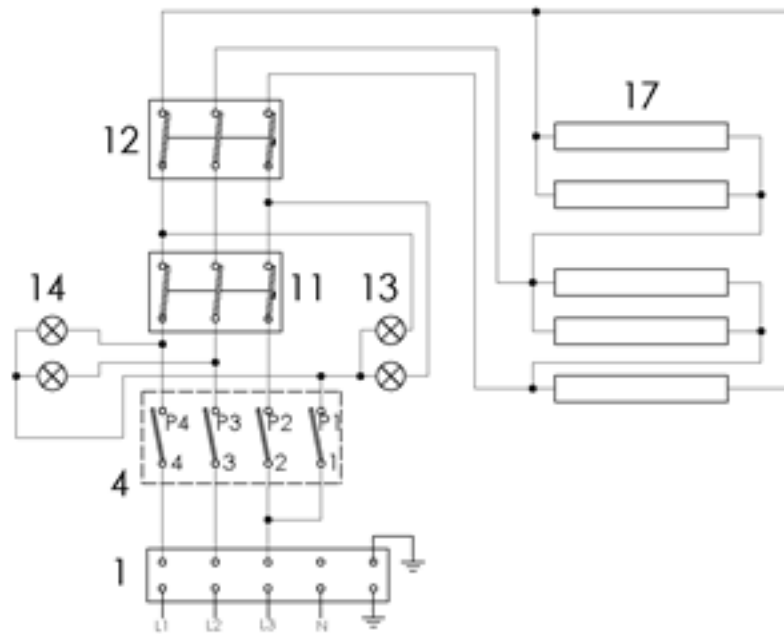
SPT 90/80 - 11 GE



SPT 90/80 - 21 GE



SPT 90/80 - 21 GE (230V/3)



PROHLÁŠENÍ O SOULADU S NORMAMI

Výrobce prohlašuje, že přístroje jsou v souladu s nařízením 2016/426/EU, zákonem č.22/1997 Sb. a č. 258/2000 Sb. o ochraně veřejného zdraví, vyhláškou č. 38/2001 Sb. a příslušnými nařízeními vlády. Instalace musí být uskutečněna s ohledem na platné normy.

Výrobce prohlašuje, že přístroje splňují základní požadavky směrnice 2014/35/EU (nařízení vlády č. 118/2016 Sb.) a požadavky směrnice 2014/30/EU (nařízení vlády č. 117/2016 Sb.).

Pozor, výrobce se vzdává jakékoli odpovědnosti v případě přímých i nepřímých poškození, které se vztahují ke špatné instalaci, nesprávným zásahem nebo úpravami, nedostatečnou údržbou, nesprávným používáním, a které jsou eventuálně způsobeny jinými příčinami, jež uvádí body uvedené v podmínkách prodeje. Tento spotřebič je určen pouze pro odborné používání a musí být obsluhován kvalifikovanými osobami. Části, které byly po nastavení zajištěny výrobcem nebo pověřeným pracovníkem, nesmí uživatel přestavovat.

TECHNICKÁ DATA

Štítek s technickými údaji je umístěn na zadní části přístroje. Před instalací si prostudujte elektrické schéma zapojení a všechny následující informace.

Typ výrobku	Příkon trouby GN 1/1	Příkon trouby GN 2/1	Příkon trouby plynové	Přívodní napětí (V/Hz)	Příkon hořáků (kW)	Rozměr (cm)
SPT 90/80 - 11 GE	3,1kW	-	-	400/3N/50	1x3,5 + 1x5 + 2x8,5	80x90x90 v
SPT 90/80 - 21 GE	-	6,0kW/*7 kW	-	400/3N/50	1x3,5 + 1x5 + 2x8,5	80x90x90 v
SP 90/80 G	-	-	-	-	1x3,5 + 1x5 + 2x8,5	80x90x90 v
SP 90/40 G	-	-	-	-	2x8,5	40x90x90 v
SP 90/120 G	-	-	-	-	1x3,5 + 1x5 + 4x8,5	120x90x90 v
SPT 90/120-21 G	-	-	7,3 kW	-	1x3,5 + 1x5 + 4x8,5	120x90x90 v
SPT 90/120-21 GE	-	6,3 kW	-	400/3N/50	1x3,5 + 1x5 + 4x8,5	120x90x90 v
SPT 90/80-21 G	-	-	7,3 kW	-	1x3,5 + 1x5 + 2x8,5	80x90x90 v

Typ výrobku	Průměr připojení plynu	Rozměr (cm)
SPT 90/80-11 GE	G1/2"	80x90x90 v
SPT 90/80-21 GE	G1/2"	80x90x90 v
SP 90/80 G	G1/2"	80x90x90 v
SP 90/40 G	G1/2"	40x90x90 v
SP 90/120 G	G1/2"	120x90x90 v
SPT 90/120-21 G	G1/2"	120x90x90 v
SPT 90/120-21 GE	G1/2"	120x90x90 v
SPT 90/80-21 G	G1/2"	80x90x90 v

Typ výrobku	Rozměr hrnce min/max pro hořák 3,5 kW	Rozměr hrnce min/max pro hořák 5 kW	Rozměr hrnce min/max pro hořák 8,5 kW
SPT 90/80 - 11 GE	14 cm / 32 cm	14 cm / 38 cm	14 cm / 50 cm
SPT 90/80 - 21 GE	14 cm / 32 cm	14 cm / 38 cm	14 cm / 50 cm
SP 90/80 G	14 cm / 32 cm	14 cm / 38 cm	14 cm / 50 cm
SP 90/40 G	14 cm / 32 cm	14 cm / 38 cm	14 cm / 50 cm
SP 90/120 G	14 cm / 32 cm	14 cm / 38 cm	14 cm / 50 cm
SPT 90/120-21 G	14 cm / 32 cm	14 cm / 38 cm	14 cm / 50 cm
SPT 90/120-21 GE	14 cm / 32 cm	14 cm / 38 cm	14 cm / 50 cm
SPT 90/80-21 G	14 cm / 32 cm	14 cm / 38 cm	14 cm / 50 cm

TECHNICKÁ DATA HOŘÁKŮ

	G30 BUTAN 30mbar	G30 BUTAN 50mbar	G20 ZEMNÍ PLYN 20mbar	G25 ZEMNÍ PLYN 20mbar
Tryska hořáku 3,5kW pr. 1/100mm	90	80	140	150
Tryska hořáku 5kW pr. 1/100mm	110	100	170	195
Tryska hořáku 8,5kW pr. 1/100mm	140	125	220	240
Tryska pilotního hořáku pr. 1/100mm	24	24	24	24
Spotřeba plynu				
Hořák 3,5kW	0,261kg/h	0,25kg/h	0,347m ³ /h	0,397m ³ /h
Hořák 5kW	0,354kg/h	0,38kg/h	0,559m ³ /h	0,679m ³ /h
Hořák 8,5kW	0,610kg/h	0,59kg/h	0,865m ³ /h	1,010m ³ /h
CELKEM	1,835kg/h	1,81kg/h	2,636m ³ /h	3,096m ³ /h

Části, které byly nastaveny výrobcem, nebo servisním technikem při instalaci, nesmí být obsluhou přenastavovány.

Maximální a snížený jmenovitý tepelný příkon v kW je vztažen k Hi použitého plynu.

V případě připojení výrobku na LPG, musí být plynová láhev v dostatečně větraných místnostech.

Tabulka plynů, pro které je výrobek určen

Provedení	Kategorie výrobků	Připojovací přetlaky [mbar]	Použitý plyn	Země určení
A1	I2E	20	G20	DE, NL, PL, RO
	I2ELL	20, 20	G20, G25	DE
	I2E+	20/25	G20/G25	BE, FR
	I2H	25	G20	HU
	I2H	20	G20	AT, BG, CH, CZ, DK, HR, EE, ES, FI, GB, GR, IE, IT, LT, LV, NO, PT, RO, SE, SI, SK, TR, LU, CY, FR
	I2L	25	G25	FR
	I2L	20	G25	RO
	I2Lw	20	G27	PL
	I3B/P	30	G30	BG, CY, CZ, DK, GB, HR, EE, FI, FR, GR, HU, IT, LT, LV, MT, NL, NO, RO, SE, SI, SK, TR
	I3B/P	37	G30	PL
	I3B/P	50	G30	AT, DE, CZ, CH, FR, SK
	I3P	37	G31	BE, CH, CZ, ES, GB, GR, IE, RO, SI, SK, FR, NL, PT, HR, IT, LT, PL, TR
	I3+	28-30/37	G30	BE, CH, CY, CZ, EE, ES, FR, GB, GR, IE, IT, LT, PT, SI, SK, TR
	II2E3B/P	20, 50	G20, G30	DE, PL, RO
	II2ELL-3B/P	20, 20, 50	G20, G25, G30	DE
	II2E+3+	20/25, 28-30/37	G20/G25, G30	BE, FR
	II2E+3P	20/25, 37	G20/G25, G31	BE, FR
	II2H3B/P	20, 30	G20, G30	BG, CZ, GB, DK, HR, EE, FI, GR, IT, LT, LV, NO, RO, SE, SI, SK, TR, CY, FR
	II2H3B/P	20, 50	G20, G30	AT, CH, CZ, FR, SK
	II2H3P	20, 37	G20, G31	CH, CZ, ES, GB, GR, IE, RO, SI, SK
	II2H3+	20, 28-30/37	G20, G30	CH, CY, CZ, EE, ES, GB, GR, IE, IT, LT, PT, SK, SI, TR
	II2L3B/P	25, 30	G25, G30	NL
	II2L3B/P	25, 50	G25, G30	NL
	II2L3B/P	20, 30	G25, G30	RO
	II2H-S3B/P	25, 25, 30	G20, G25.1, G30	HU

UMÍSTĚNÍ

Ke správné činnosti a umístění spotřebiče je nutné dodržet následující směrnice dle norem TPG G 704 01, ČSN 127040 a ČSN 127010.

Rozbalte přístroj a zkontrolujte, zda se přístroj nepoškodil během přepravy. Umístěte přístroj na vodorovnou plochu (maximální nerovnost do 2°). Drobné nerovnosti lze vyrovnat regulovatelnými nožičkami.

Jestliže zařízení bude umístěno tak, že bude v kontaktu se stěnami nábytku, tyto musí odolávat teplotě až 60°C. Instalaci, seřízení, uvedení do provozu musí provést kvalifikovaná osoba, která má k takovýmto úkonům oprávnění a to dle platných norem.

Přístroj může být instalován samostatně nebo v sérii s přístroji naší výroby. Je nutno dodržovat minimální vzdálenost 10 cm od hořlavých materiálů. V tomto případě je nutné zabezpečit odpovídající úpravy, aby byla zabezpečena tepelná izolace hořlavých částí.

Spotřebič se musí instalovat pouze na nehořlavém povrchu nebo u nehořlavé stěny.

Nejmenší požadovaný průtok vzduchu z venkovního prostoru pro spotřebiče v provedení A je v rozmezí 5-20 m³/h, dle typu spotřebiče. Zaleží na instalačních předpisech pro danou zemi určení.

Součásti spotřebiče zajištěné výrobcem, nebo jeho zástupcem nesmí pracovník provádějící instalaci výrobku přestavovat.

Zařízení musí být instalováno ve vhodně větraném prostředí.

INSTALACE



Důležité:

Výrobce neposkytuje žádnou záruku na závady, vzniklé v důsledku nesprávného používání, nedodržování instrukcí obsažených v příloženém návodu k použití a špatným zacházením se spotřebiči.

Instalaci, úpravy a opravy spotřebičů pro velkokuchyně, tak jako i jejich demontáž z důvodu možného poškození přívodu plynu, mohou být prováděny pouze na základě smlouvy o údržbě, tato smlouva může být uzavřena s autorizovaným prodejcem, přičemž musí být dodržovány technické předpisy a normy a předpisy týkající se instalace, elektrického přívodu, plynové přípojky a bezpečnosti práce.

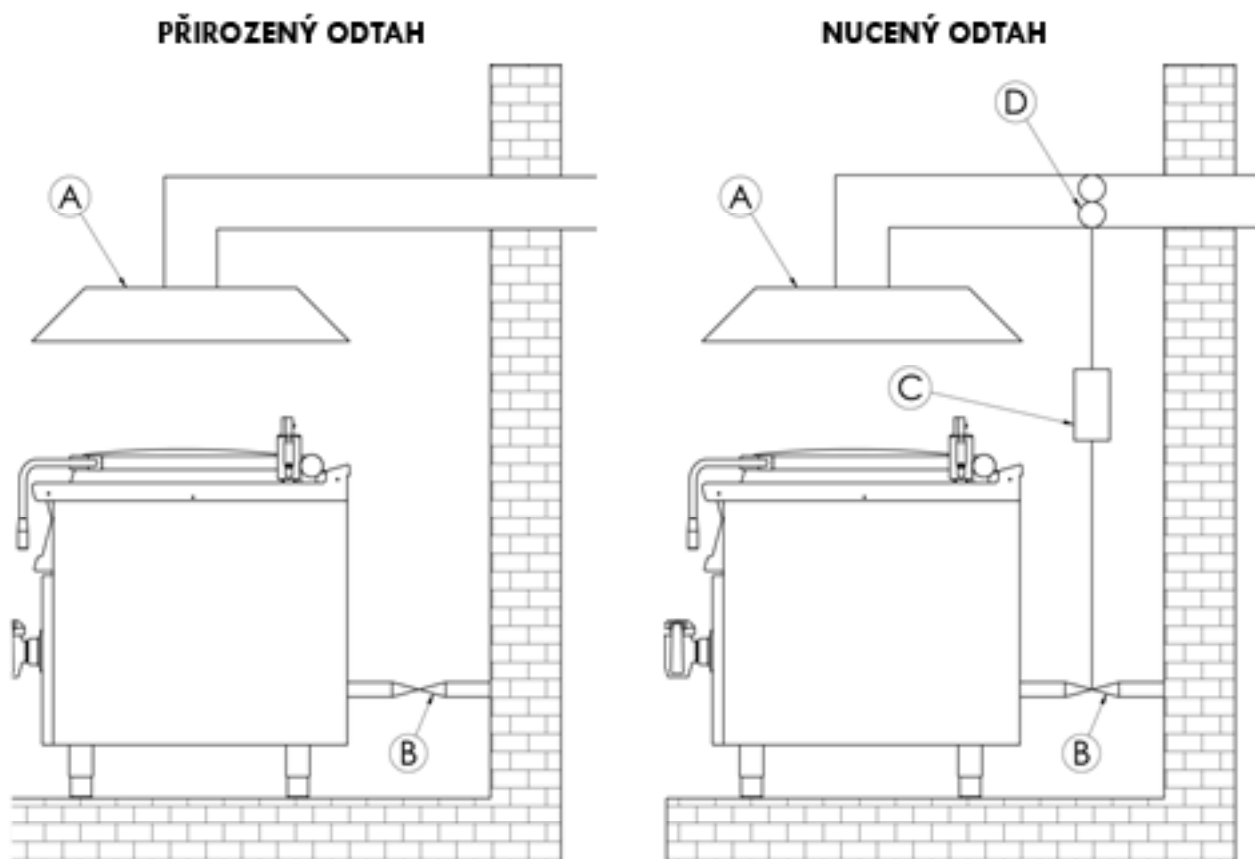
Technické instrukce pro instalaci a seřízení, k použití POUZE pro specializované techniky.

Instrukce, které následují, se obrací k technikovi kvalifikovanému pro instalaci, aby provedl všechny operace způsobem co nejkorektnějším a podle platných norem.

Jakákoli činnost spojená s regulací apod. musí být vykonána pouze se zařízením odpojeným ze sítě. Je - li nutno udržovat spotřebič pod napětím je nutno dbát nejvyšší opatrnosti.

Typ spotřebiče pro provedení odtahu je deklarován na typovém štítku, jedná se o spotřebiče typu A1.

NÁVOD NA PROVEDENÍ ODTAHU PLYNU



Vyústění digestoře je do samostatného komínového tělesa (A). Odtah spalin zabezpečuje přirozený tah komínu.

Vyústění digestoře je bez přirozeného odtahu. Odtah spalin je zabezpečován pomocí ventilátoru (D), (nucený odtah). V tomto případě je nezbytné zabezpečit propojení s přívodem plynu (B) pro vypnutí přívodu plynu při výpadku.

KONTROLA TEPELNÉHO PŘÍKONU

Spotřebiče musí být zkontrolovány, aby se ověřil jejich tepelný příkon:

Tepelný výkon je označen na štítku nebo jej naleznete v tomto návodu.

Je nutné nejdříve ověřit, je-li spotřebič vyroben pro ten samý typ plynu, který bude používán a tudíž odpovídá-li označení na štítku typu plynu, který bude používán.

K přestavbě na jiný druh plynu je nutné zkontrolovat, odpovídá-li typ označeného plynu tomu, který je doporučen v této příručce.

Tlak se měří tlakoměrem o potřebné citlivosti. Tlakoměr se připojí na příslušné místo, je nutné proto odšroubovat šroub se vzduchotěsným uzávěrem a připojit tlakoměr. Po ukončení měření je nutné našroubovat šroub zpět a překontrolovat jeho těsnost.

BEZPEČNOSTNÍ OPATŘENÍ Z HLEDISKA POŽÁRNÍ OCHRANY PODLE

ČSN 061008 ČL. 21

- obsluhu spotřebiče smí provádět pouze dospělé osoby
- spotřebič smí být bezpečně používán v souladu s normami:
ČSN 33 2000-4-482: Ochrana proti požáru v prostorách se zvláštním rizikem nebo nebezpečím
ČSN 33 2000-4-42: Ochrana před účinky tepla

- spotřebič je nutné umístit tak, aby stál nebo visel pevně na nehořlavém podkladu

Na spotřebič a do vzdálenosti menší než bezpečná vzdálenost od něho nesmějí být kladeny předměty z hořlavých hmot (nejmenší vzdálenost spotřebiče od hořlavých hmot je 10 cm).

Tabulka: stupeň hořlavosti stavební hmoty zařazené do st. hořlavosti (ČSN 730823) hmot a výrobků

Stupeň hořlavosti	Stavební hmoty
A - nehořlavé	žula, pískovec, betony, cihly, keramické obkladačky, omítky
B - nesnadno hořlavé	akumin, heraklit, lihnos, itaver
C1 - těžce hořlavé	dřevo, listnaté, překližky sirkoklit, tvrzený papír, umakart
C2 - středně hořlavé	dřevotřískové desky, solodur, korkové desky, pryž, podlahoviny
C3 - lehce hořlavé	dřevovláknité desky, polystyrén, polyureten, PVC

• informace o stupni hořlavosti běžných stavebních hmot uvádí tabulka výše. Spotřebiče musí být instalovány bezpečným způsobem. Při instalaci musí být dále respektovány příslušné projektové, bezpečnostní a hygienické předpisy dle:

- ČSN 06 1008 požární bezpečnost lokálních spotřebičů a zdrojů tepla
- ČSN 33 2000-4-482 ochrana proti požáru v prostorách se zvláštním rizikem nebo nebezpečím
- ČSN 33 2000-4-42 ochrana před účinky tepla

PŘIPOJENÍ ELEKTRICKÉHO KABELU DO SÍTĚ

Instalace elektrického přívodu - tento přívod musí být samostatně jištěn. A to odpovídajícím jističem jmenovitého proudu v závislosti na příkonu instalovaného přístroje. Příkon přístroje zkontrolujte na výrobním štítku na zadním panelu (či boku) přístroje.

Připojený zemnicí vodič musí být delší než ostatní vodiče. Přístroj připojte přímo na síť, je nezbytné vložit mezi spotřebič a síť vypínač s minimální vzdáleností 3 mm mezi jednotlivými kontakty, který odpovídá platným normám a zatížením. Přívod uzemnění (žlutozelený) nesmí tímto spínačem být přerušen. Přístroj určený pro připojení do zásuvky, připojte do sítě pokud má zásuvka odpovídající jištění.

V každém případě přívodní kabel musí být umístěn tak, že v žádném bodě nedosáhne teploty o 50 stupňů vyšší než prostředí. Než bude spotřebič připojen do sítě, je nutné se nejprve ujistit, že:

- přívodní jistič a vnitřní rozvod snesou proudové zatížení spotřebiče (viz štítek matrice)
- rozvod je vybaven účinným uzeměním podle norem (ČSN) a podmínek daných zákonem
- zásuvka nebo vypínač v přívodu jsou dobře přístupné od spotřebiče
- elektrický přívod do zařízení musí být z olejovzdorného materiálu

Vzdáváme se jakékoli zodpovědnosti v případě, že tyto normy nebudou respektovány a v případě porušení výše uvedených zásad.

Před prvním použitím musíte přístroj vyčistit viz. kapitola „čištění a údržba“. Spotřebič musí být uzemněn pomocí šroubu se značkou uzemnění.



- Tato etiketa označuje uzemňovací bod zařízení



Vidlici napájecího přívodu nezasunujte do el. zásuvky a nevytahujte z el. zásuvky mokřima rukama a taháním za napájecí přívod!

- **Nepoužívejte prodlužovací kabely nebo sdružené zásuvky.**
- **Přípojný bod sítě musí mít maximálně níže uvedenou impedanci Z_{MAX} dle ČSN EN 61000-3-11:2001. Z_{MAX} = 0,042 + j 0,026 Ω pro fázové vodiče a 0,028 + j 0,017 Ω pro nulový vodič**

PŘIPOJENÍ PLYNOVÉ PŘIPOJOVACÍ HADICE

Připojení spotřebiče do rozvodu plynu je nutné provést přípojnou ocelovou nebo měděnou hadicí vyhovující platným národním požadavkům. Ta musí být pravidelně kontrolována a podle potřeby vyměněna. Každý spotřebič musí být vybaven uzavíracím kohoutem a rychlouzávěrem. Rychlouzávěr musí být volně přístupný a v dosahu zařízení. Po ukončení instalace je třeba překontrolovat, zda nedochází k úniku plynu. Pro zjištění úniku používáme mýdlovou vodu nebo detekční spreje pro zjištění případných úniků.

Nepoužívat látky způsobující korozi! Všechny naše spotřebiče jsou pečlivě kontrolovány. Typ plynu, tlak a označení příslušné kategorie jsou uvedeny na výrobním štítku.

Připojení na kapalný plyn:

Tlak pro připojení na kapalný plyn musí být 28 nebo 30 mbar pro propan/butan a 37 mbar pro propan. Je nutné zkontrolovat štítek, změřit tlak a zkontrolovat parametry nainstalované trysky s požadovanými parametry trysky dle požadavků výrobce. Pokud je tlak nižší než 25 mbar nebo vyšší než 37 mbar **NESMÍ BÝT SPOTŘEBIČ PŘIPOJEN**

Připojení na zemní plyn:

Tlak při připojení na metan musí být 18 nebo 20 mbar. Je nutné zkontrolovat štítek, změřit tlak a zkontrolovat parametry nainstalované trysky s požadovanými parametry trysky dle požadavků výrobce. Pokud je tlak nižší než 15 mbar nebo vyšší než 22,5 mbar **NESMÍ BÝT SPOTŘEBIČ PŘIPOJEN**

KONTROLA NASTAVENÍ PŘÍSTROJE NA DRUH PLYNU

Naše spotřebiče jsou certifikovány a regulovány pro zemní plyn (viz. typový štítek). Přestavba nebo přizpůsobení na jiný typ plynu musí být provedena pouze oprávněným technikem. Trysky na různé typy plynu jsou v sáčku, přibaleném ke sporáku a jsou označeny v setinách mm (tab. 2).

Výměna trysek a seřízení pilotního hořáku (obr. 1, 2, 3):

Je třeba postupovat následujícím způsobem: Sejměte rošt, rozprašovač plamene, tělo hořáku a gastronádobu (poz. 1, 2, 3, 4, obr. 1). Odšroubujte tryšku (poz. 5, obr. 2, 3) klíčem 13mm a vyměňte za požadovanou dle typu plynu (tab. 2). Montáž proveďte v opačném pořadí. Dbejte na to, aby jednotlivé dílce na sebe důkladně zapadly. Regulace vzduchu (obr. 3, poz. 8) je vždy otevřena naplno.

Pilotní hořák seřídíme tak, že povolíme pojistnou matici (poz. 6, obr. 3) klíčem 11mm, poté klíčem 7mm buď povolíme nebo utáhneme tryšku (poz. 7, obr. 3) a seřídíme plamen do požadované velikosti.

Důležité:

Poté, co bylo provedeno seřízení spotřebiče na jiný typ plynu, je nutné změnu plynu vyznačit na štítku spotřebiče a provést následující kroky:

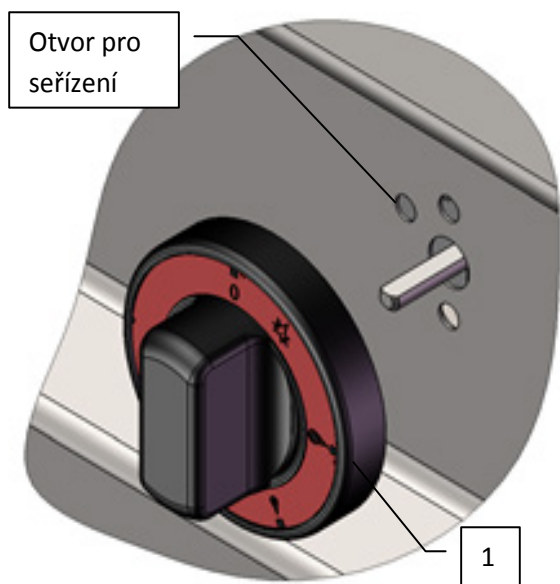
- Zkontrolovat případné úniky plynu
- Zkontrolovat zažehnutí a plamen hlavního hořáku
- Zkontrolovat plamen hlavního hořáku na min. výkon „SPORO“

SEŘÍZENÍ PLAMENE PŘI SNÍŽENÉM VÝKONU „SPORO“

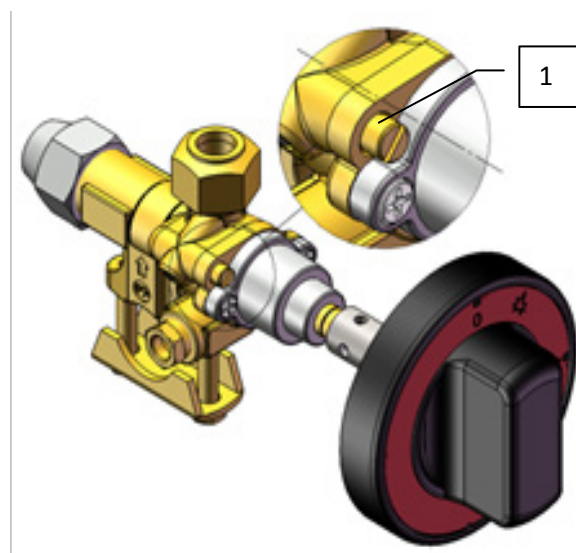
Plamen při nastavení kohoutu na snížený výkon „SPORO“ seřídíme šroubkem v těle kohoutu (poz. 1, obr. 5) vedle hřídele kohoutu.

Pro seřízení postupujte takto:

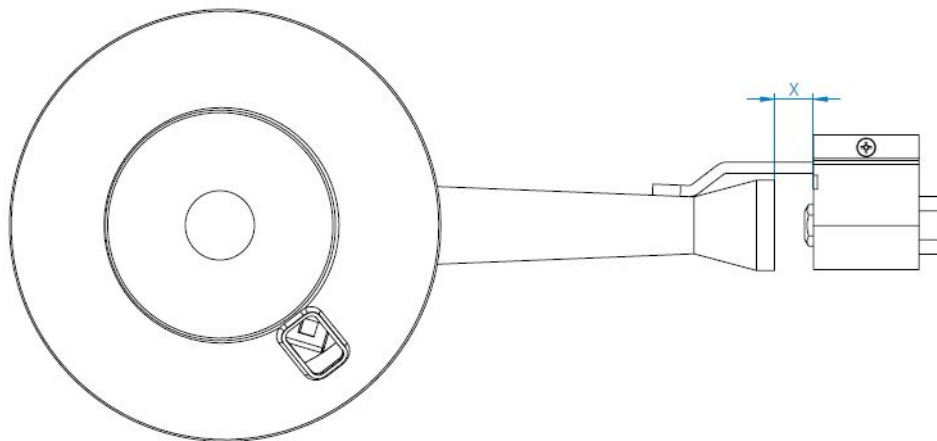
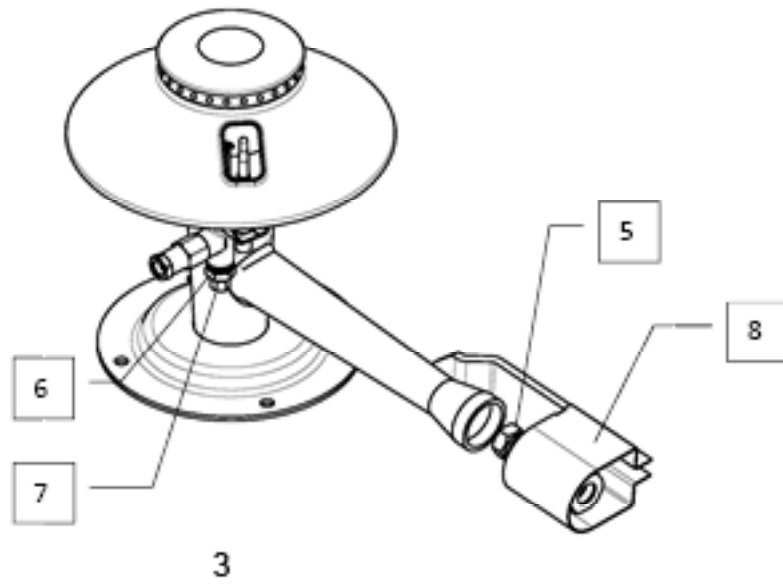
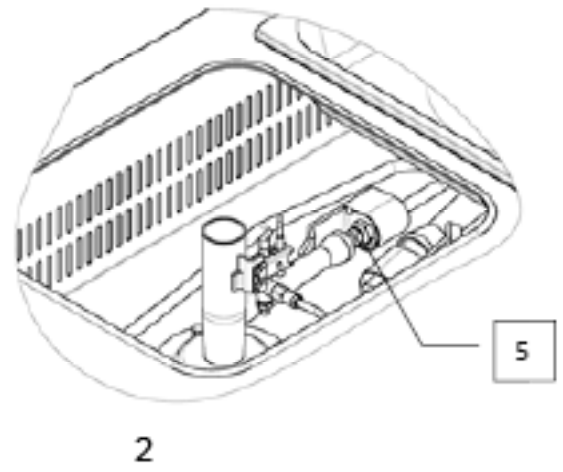
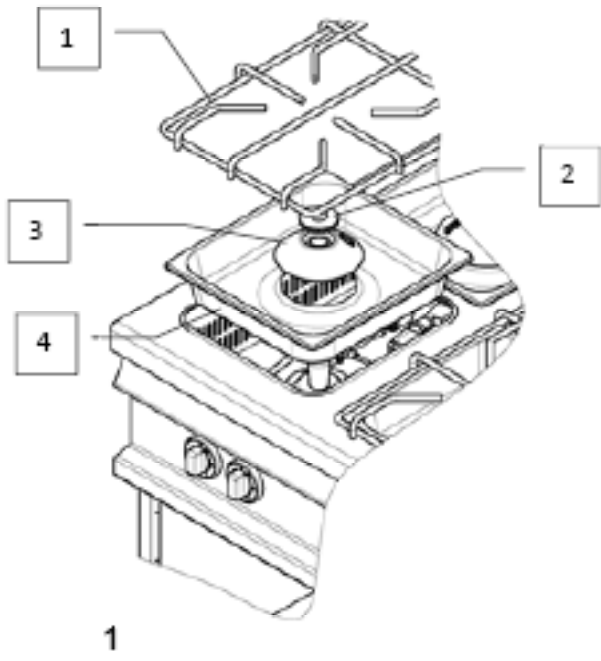
- Sejměte regulační knoflík (poz. 1, obr. 4) tahem k sobě
- Vedle hřídele kohoutu je otvor pro seřízení, pomocí plochého šroubováku seřídíte plamen



Obr. 4



Obr. 5



VÝMĚNA TRYSEK A SEŘÍZENÍ HOŘÁKU PLYNOVÉ TROUBY (viz. obr. níže):

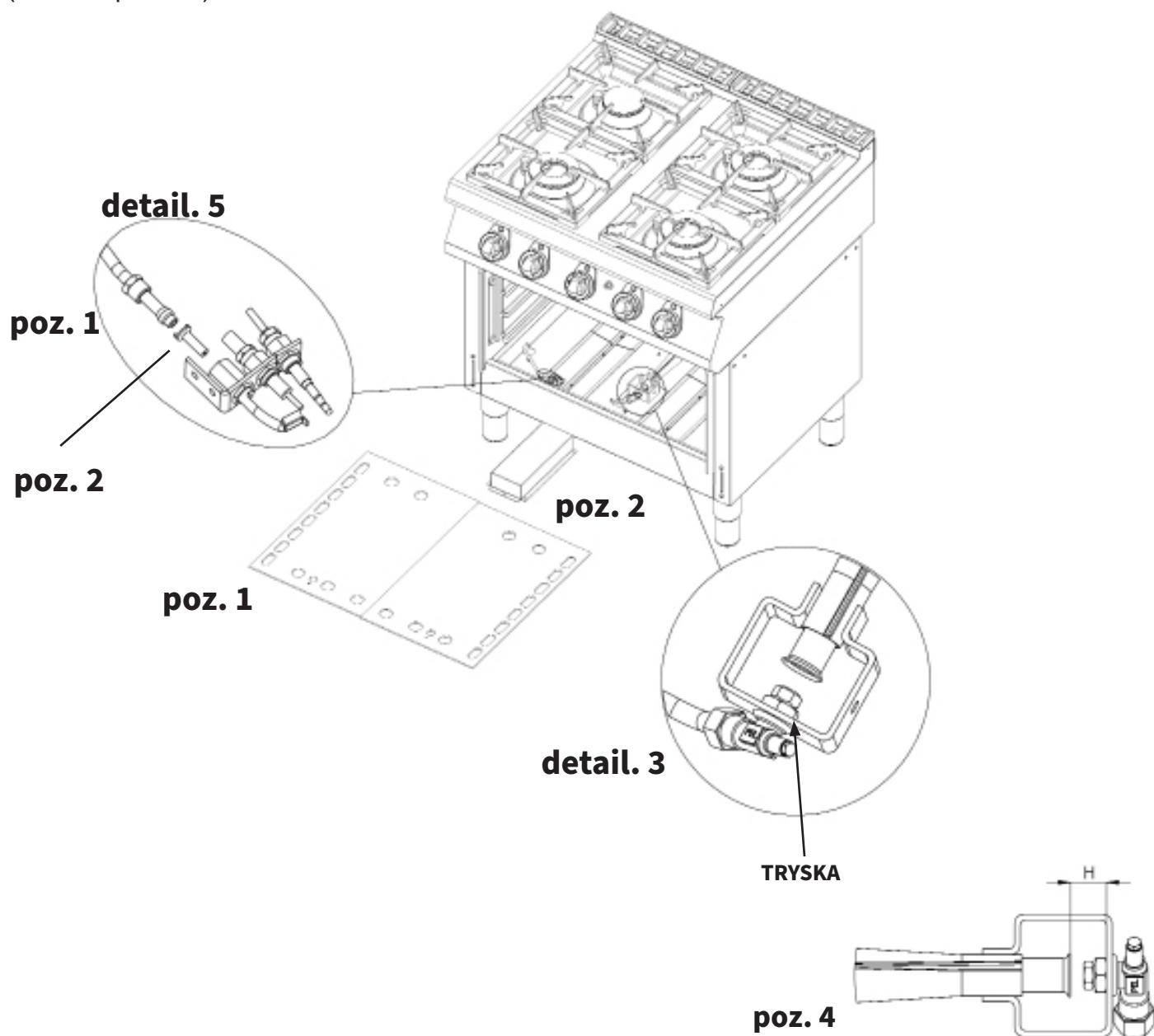
Při výměně trysky hořáku trouby je třeba postupovat následujícím způsobem:

- 1) Otevřete dvířka trouby a vyjměte krycí plech trouby (poz. 1).
- 2) Demontujte kryt přívodu hořáku (poz. 2)
- 3) Dle obrázku (detail 3) vyšroubujeme trysku z hlavního hořáku a nahradíme tryskami dle tabulky „TABULKA TRYSEK“
- 4) Nastavíme přívod vzduchu pro příslušný plyn (poz. 4) dle tabulky „TABULKA TRYSEK“

VÝMĚNA TRYSEK A SEŘÍZENÍ PILOTNÍHO HOŘÁKU PLYNOVÉ TROUBY

Při výměně trysky hořáku trouby je třeba postupovat následujícím způsobem:


- 1) Vyšroubujte matici dle (detail. 5 poz.1).
- 2) Demontujte přívodní měděnou trubku z pilotního hořáku.
- 3) Dle (detail. 5. poz. 2) vyšroubujeme trysku z pilotního hořáku a nahradíme tryskami dle tabulky „TABILKA TRYSEK“.
- 4) Namontujeme zpět měděnou trubku pilotního hořáku a dotáhneme jí matkou dle (detail. 5 pozn. 1).



NÁVOD K POUŽITÍ


Pozor! Než-li začnete přístroj používat, je nutné z celého povrchu sejmout ochranné fólie, a pak jej dobře omýt vodou se saponátem na nádobí, a poté otřít vlhkým hadrem.

Zapálení a regulace hořáku

Po stisknutí a otočení regulačního knoflíku příslušného hořáku do polohy 1 , zapalte pilotní hořák. Po zapálení pilotního hořáku držte ještě knoflík stisknutý po dobu cca. 30 vteřin, aby se ohřála termopojistka. Pokud plamen zhasne, celý postup opakujte.

Pro zapálení hořáku na plný výkon otočte knoflíkem do polohy 2. 

Úsporný režim „SPORO“, nastavíme tak, že lehce zmáčkne knoflík a otočíme do polohy 3. 

Do pohotovostního režimu se přepneme otáčením kohoutu vpravo do polohy 1. 

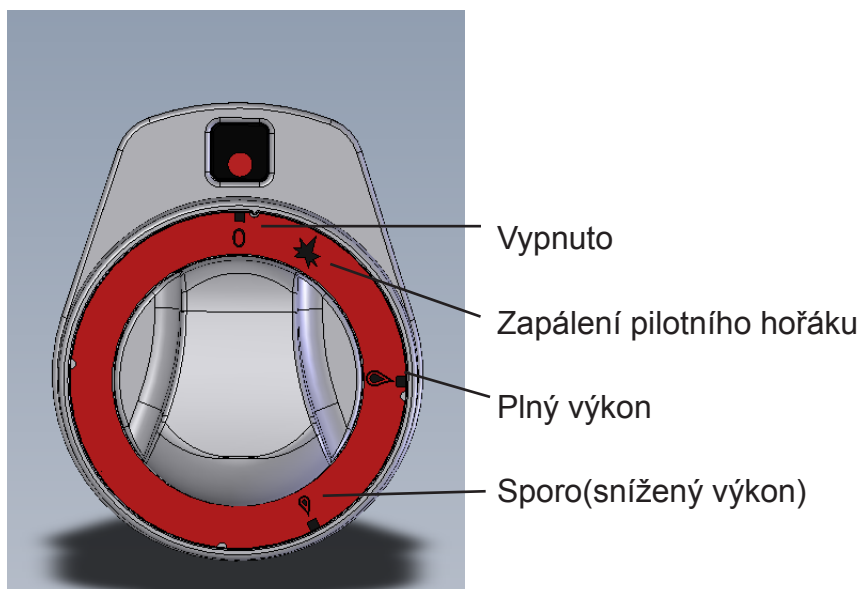
Pokud chceme hořák vypnout, lehce zmáčkne knoflík a otočíme do polohy „0“. 

Návod na odtah spalin plynu

Přístroje typu A (viz štítek s charakteristikami) Spotřebič provedení A (t.j. spotřebič, který není určen ke spojení s kouřovodem, nebo jiným zařízením pro odvádění spalin mimo prostor, v němž je umístěn) musí být instalován v prostorech s dostatečným větráním, které je provedené dle ČSN 12 7010:1986 a ČSN 12 7040:1986 tak, aby se v těchto prostorech zabránilo hromadění zdraví škodlivých látek v nepřípustné koncentraci (zabezpečení požadavku hygienického předpisu na pracovní prostředí sv.39/78 směrnice 46.

Upozornění:

Nenechávejte plotýnky zapnuté naprázdno. Hrozí jejich poškození.



OVLÁDÁNÍ STACIONÁRNÍ TROUBY

Přepínačem stacionární trouby si zvolíme zda-li budeme péct horními a dolními tělesy (poloha 1), nebo jen spodními (poloha 3) a nebo horními (poloha 2). Toto je signalizováno zelenými kontrolkami. Regulačním knoflíkem stacionární trouby nastavíme požadovanou teplotu. Chod topných těles je signalizován bílými kontrolkami. Po jejich zhasnutí je trouba vyhřátá na požadovanou teplotu. Troubu vypneme otočením obou knoflíků do polohy „0“.

OVLÁDÁNÍ PLYNOVÉ TROUBY

Zapálení a seřízení hořáku trouby:

Při zapálení trouby otevřete dvířka trouby, otočte knoflíkem na značku zapálení, držte knoflík stisknutý a poté opakovaně stiskněte tlačítko piezzo zapalování, dokud se plyn nezapálí. Otvorem ve dně trouby je možno zkontrolovat plamen, po přibližně 10 vteřinách pusťte knoflík. Jestliže pilotní plamen zhasne, je třeba opakovat celou operaci. Při otočení knoflíku do polohy pro zapálení pilotního plamene zhasne hlavní hořák a zůstane hořet pilotní plamen. Pro zapálení hlavního hořáku otočte knoflíkem vlevo a nastavte požadovanou teplotu. Chceme-li troubu zcela vypnout, otočíme ovládacím kolečkem na pozici „0“.

OVLÁDÁNÍ HORKOVZDUŠNÉ TROUBY

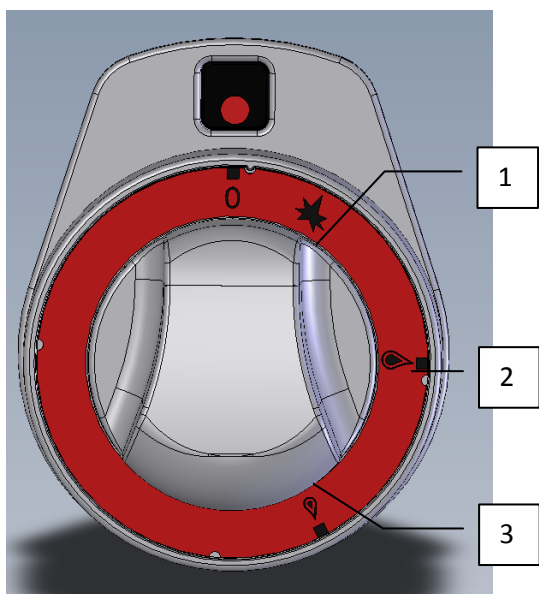
Otočením regulačního knoflíku doprava, dojde k zapnutí ventilátoru. Toto je signalizováno zelenou kontrolkou. Po dalším otočení vpravo, nastavíme požadovanou teplotu. Chod topného tělesa je signalizován oranžovou kontrolkou. Po jejím zhasnutí je trouba vyhřátá na požadovanou teplotu. Troubu vypneme otočením knoflíku vlevo do polohy „0“.

UPOZORNĚNÍ

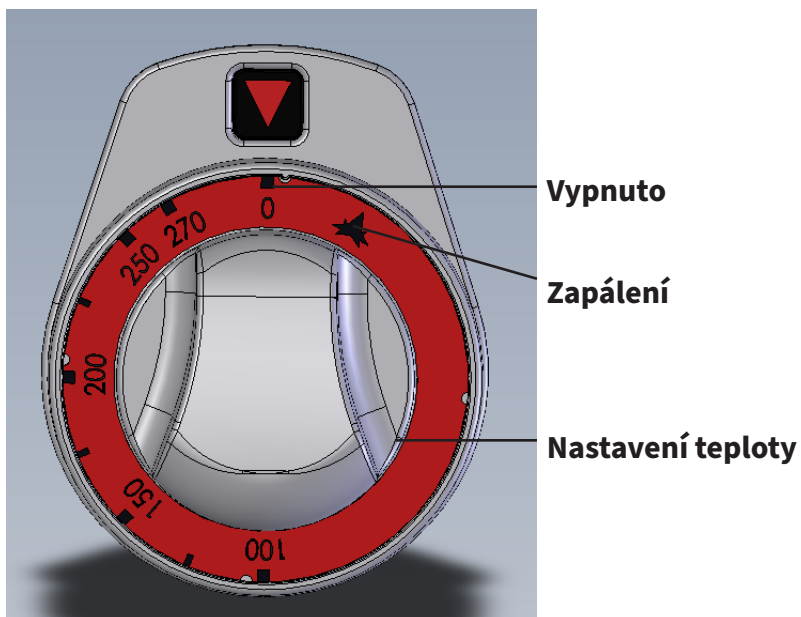
Záruka se nevztahuje na všechny spotřební díly podléhající běžnému opotřebení (gumová těsnění, žárovky, skleněné a plastové díly atd.). Záruka se též nevztahuje na zařízení pokud není provedena instalace v souladu s návodem – oprávněným pracovníkem dle odpovídajících norem a pokud bylo se zařízením neodborně manipulováno (zásahy do vnitřního zařízení) nebo bylo obsluhováno nezaškoleným personálem a v rozporu s návodem k použití, dále se nevztahuje na poškození přírodními vlivy či jiným vnějším zásahem. Přepravní obaly a zařízení po ukončení životnosti odevzdejte do

OVLADACÍ PRVKY

Regulační knoflík hořáku

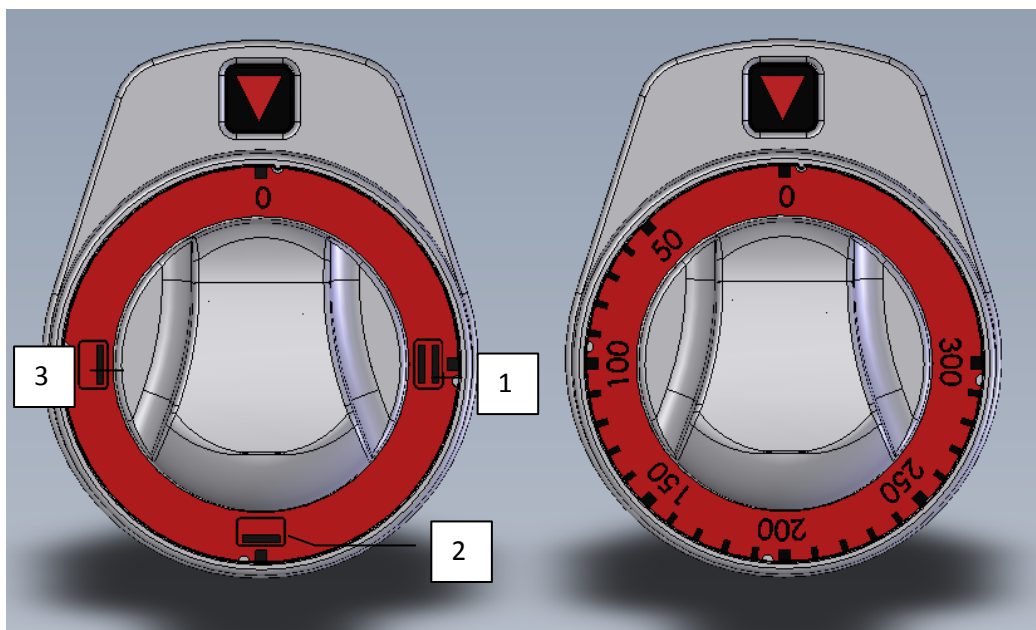


Regulační knoflík plynové trouby

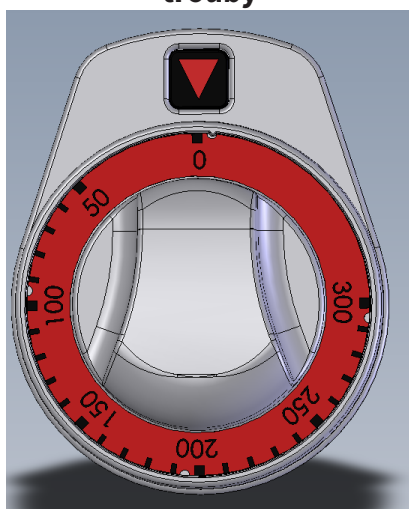


Přepínač elektrické stacionární trouby

Regulační knoflík teploty elektrické stacionární trouby




Regulační knoflík teploty horkovzdušné trouby



ČIŠTENÍ A ÚDRŽBA

Přístroj se musí alespoň 2 x ročně překontrolovat odborným servisem. Veškeré zásahy do přístroje může provádět pouze kvalifikovaná osoba, která má k takovýmto úkonům oprávnění.

POZOR!

 Zařízení se nesmí čistit přímou nebo tlakovou vodou. Čistěte zařízení denně. Denní údržba prodlužuje životnost a účinnost zařízení. Před započetím čištění se přesvědčte, jestli jste odpojili zařízení od elektrického proudu. Vždy vypněte hlavní přívod k zařízení. Nerezové části omyjte vlhkým hadrem se saponátem bez hrubých částic a vytřete do sucha. Nepoužívejte abrasivní nebo korosivní čisticí prostředky.

Pozor! Než-li začnete přístroj používat, je nutné z celého povrchu sejmout ochranné fólie, a pak jej dobře omýt vodou se saponátem na nádobí, a poté otřít vlhkým hadrem.

Jak postupovat v případě poruchy?

Vypněte elektrický (plynový) přívod a zavolejte servisní organizaci prodejce.

Záruka se navztahuje na všechny spotřební díly podléhající běžnému opotřebení (gumová těsnění, žárovky, skleněné a plastové díly atd.). Záruka se též nevztahuje na zařízení pokud není provedena instalace v souladu s návodem – oprávněným pracovníkem dle odpovídajících norem a pokud bylo se zařízením neodborně manipulováno (zásahy do vnitřního zařízení atd.) nebo bylo obsluhováno nezaškoleným personálem a v rozporu s návodem k použití, dále se záruka nevztahuje na poškození přírodními vlivy či jiným vnějším zásahem.

Přepravní obaly a zařízení po ukončení životnosti odevzdejte do sběru, dle předpisů o nakládání s odpadem a nebezpečným odpadem.

OŚWIADCZENIE ZGODNOŚCI Z NORMAMI

Producent oświadcza, że urządzenia są wykonane według polskich norm i przepisów Unii Europejskiej. Montaż musi być przeprowadzony zgodnie z obowiązującymi normami, zwłaszcza w kwestii odpowiedniego wietrzenia pomieszczeń i systemu odprowadzenia spalin.

Uwaga!

Producent nie odpowiada za szkody wynikłe pośrednio lub bezpośrednio przez: złą instalację, niewłaściwą obsługę lub przeróbki, niedostateczną konserwację lub inne przyczyny niezgodne z punktami warunków sprzedaży. Urządzenie to przeznaczone jest do profesjonalnego użytkowania i musi być obsługiwane osobami o odpowiedniej kwalifikacji. Części, które były po nastawieniu zabezpieczone przez producenta lub pracownika serwisu nie mogą być zmieniane.

DANE TECHNICZNE

Tabliczka znamionowa znajduje się na tylnej części obudowy urządzenia. Przed instalacją zaleca się zapoznanie z instrukcją obsługi i wszystkimi niżej umieszczonymi informacjami.

Typ	Wymiary (cm)	PIEKARNIK Moc / Napięcie	Moc palnika kW	Przyłącze gazu	Piekarnik
SP 90/80 G	80 x 90 x 90 h	-	2x8,0	G 1/2''	-
SP 90/40 G	40 x 90 x 90 h	-	1x3,5 + 1x5,0 + 2x8,0	G 1/2''	-
SPT 90/80 - 11 GE	80 x 90 x 90 h	3,1 kW / 230V	1x3,5 + 1x5,0 + 2x8,0	G 1/2''	konwekcyjny na 4x GN 1/1
SPT 90/80 - 21 GE	80 x 90 x 90 h	6,3 kW / 400V	1x3,5 + 1x5,0 + 2x8,0	G 1/2''	statyczny na GN 2/1
SP 90/120 G	120x90x90 v	-	1x3,5 + 1x5 + 4x8	G 1/2''	gaz
SPT 90/120-21 G	120x90x90 v	7,3 kW	1x3,5 + 1x5 + 4x8	G 1/2''	gaz
SPT 90/120-21 GE	120x90x90 v	6,3 kW	1x3,5 + 1x5 + 4x8	G 1/2''	statyczny na GN 2/1
SPT 90/80-21 G	80x90x90 v	7,3 kW	1x3,5 + 1x5 + 2x8	G 1/2''	gaz

Części, które zostały ustawione przez producenta lub technika serwisowego podczas instalacji, nie mogą być ponownie ustawiane przez operatora.

Maksymalny i zredukowany nominalny pobór ciepła w kW jest związany z Hi używanego gazu.

Jeśli produkt jest podłączony do zasilania gazem LPG, butla z gazem musi znajdować się w odpowiednio wentylowanym pomieszczeniu.

dane techniczne palników

	12,8 kWh/kg G30 BUTAN 30mbar	12,8 kWh/kg G30 BUTAN 50mbar	9,45 kWh/kg G20 gaz ziemny 20mbar	9,45 kWh/kg G25 gaz ziemny 20mbar
dysza 3,5kW pr. 1/100mm	90	80	140	150
dysza 5,0kW pr. 1/100mm	110	100	170	195
dysza 8,0kW pr. 1/100mm	140	120	220	240
Palnik pilot jet 1/100mm	24	24	24	24
zużycie gazu				
Palnik 3,5kW	0,261kg/h	0,25kg/h	0,347m ³ /h	0,397m ³ /h
Palnik 5,0kW	0,354kg/h	0,38kg/h	0,559m ³ /h	0,679m ³ /h
Palnik 8,0kW	0,610kg/h	0,59kg/h	0,865m ³ /h	1,010m ³ /h
całkowicie	1,835kg/h	1,81kg/h	2,636m ³ /h	3,096m ³ /h

Tabela gazów, dla których przeznaczony jest wyrób

Provedení	Kategorie výrobků	Připojovací přetlaky [mbar]	Použitý plyn	Země určení
A1	I2E	20	G20	DE, NL, PL, RO
	I2ELL	20, 20	G20, G25	DE
	I2E+	20/25	G20/G25	BE, FR
	I2H	25	G20	HU
	I2H	20	G20	AT, BG, CH, CZ, DK, HR, EE, ES, FI, GB, GR, IE, IT, LT, LV, NO, PT, RO, SE, SI, SK, TR, LU, CY, FR
	I2L	25	G25	FR
	I2L	20	G25	RO
	I2Lw	20	G27	PL
	I3B/P	30	G30	BG, CY, CZ, DK, GB, HR, EE, FI, FR, GR, HU, IT, LT, LV, MT, NL, NO, RO, SE, SI, SK, TR
	I3B/P	37	G30	PL
	I3B/P	50	G30	AT, DE, CZ, CH, FR, SK
	I3P	37	G31	BE, CH, CZ, ES, GB, GR, IE, RO, SI, SK, FR, NL, PT, HR, IT, LT, PL, TR
	I3+	28-30/37	G30	BE, CH, CY, CZ, EE, ES, FR, GB, GR, IE, IT, LT, PT, SI, SK, TR
	II2E3B/P	20, 50	G20, G30	DE, PL, RO
	II2ELL-3B/P	20, 20, 50	G20, G25, G30	DE
	II2E+3+	20/25, 28-30/37	G20/G25, G30	BE, FR
	II2E+3P	20/25, 37	G20/G25, G31	BE, FR
	II2H3B/P	20, 30	G20, G30	BG, CZ, GB, DK, HR, EE, FI, GR, IT, LT, LV, NO, RO, SE, SI, SK, TR, CY, FR
	II2H3B/P	20, 50	G20, G30	AT, CH, CZ, FR, SK
	II2H3P	20, 37	G20, G31	CH, CZ, ES, GB, GR, IE, RO, SI, SK
	II2H3+	20, 28-30/37	G20, G30	CH, CY, CZ, EE, ES, GB, GR, IE, IT, LT, PT, SK, SI, TR
	II2L3B/P	25, 30	G25, G30	NL
	II2L3B/P	25, 50	G25, G30	NL
	II2L3B/P	20, 30	G25, G30	RO
	II2H-S3B/P	25, 25, 30	G20, G25.1, G30	HU

KONTROLA OPAKOWANIA I URZĄDZENIA

Urządzenie opuszcza zakłady odpowiednio zapakowane, właściwie oznakowane i etykietowane. Posiada również instrukcję obsługi. W przypadku, kiedy opakowanie nosi oznaki niewłaściwego traktowania lub uszkodzenia, należy bezzwłocznie zgłosić ten fakt na piśmie u przewoźnika i podpisać protokół szkody.

Ważne

Niniejsza instrukcja powinna być przeczytana z uwagą, ponieważ zawiera ważne informacje bezpieczeństwa, montażu oraz obsługi.

-Produkt nie jest przeznaczony na zewnątrz - tylko do użytku w pomieszczeniach.

-Nigdy nie używaj urządzenia, jeśli przewód zasilający lub wtyczka zostały uszkodzone; jeśli nie działa prawidłowo, spadł na ziemię i został uszkodzony, lub wpadł do wody.

W takich przypadkach należy wezwać autoryzowany serwis lub dostarczyć urządzenie do serwisu, aby było możliwe sprawdzenie bezpieczeństwa i poprawności działania.

· należy uważnie zapoznać się z niniejszą instrukcją obsługi, ponieważ zawiera ona ważne informacje dotyczące elementów bezpieczeństwa, montażu i użytkowania

· podane zalecenia odnoszą się do opisanego produktu

· niniejszy produkt jest zgodny z obowiązującymi normami

· instrukcję należy zachować do przyszłego użytku

· produkt powinien znajdować się poza zasięgiem dzieci

· w razie sprzedaży lub przeniesienia produktu w inne miejsce, należy upewnić się, że personel obsługi oraz serwisanci zapoznali się z zaleceniami dotyczącymi obsługi i instalacji podanymi w załączonej instrukcji

· urządzenia mogą obsługiwać tylko upoważnione do tego osoby

· nie należy pozostawiać włączonego urządzenia bez nadzoru

· zalecamy, aby produkt był sprawdzany przez profesjonalny serwis przynajmniej raz w roku

· w razie napraw, należy używać wyłącznie oryginalnych części zamiennych

 · produktu nie należy czyścić strumieniami wody lub ciśnieniowo

· w razie uszkodzenia lub awarii, należy odłączyć wszystkie przewody zasilające (wodne, gazowe, elektryczne) i wezwać fachowy serwis

· producent nie bierze odpowiedzialności za szkody powstałe z powodu niewłaściwego montażu, nieprzestrzegania powyższych zaleceń, użytkowania niezgodnego z przeznaczeniem, itp.

- Produkt jest przeznaczony do użytku tylko w pomieszczeniach.

Nigdy nie używaj urządzenia, jeśli przewód zasilający lub wtyczka zostały uszkodzone, jeśli nie działa prawidłowo, spadł na ziemię i został uszkodzony lub wpadł do wody. W takich przypadkach należy zanieść urządzenie do specjalistycznej służby, aby sprawdzić jego bezpieczeństwo i prawidłowe działanie

INFORMACJA O INSTALACJI, UMIEJSCOWIENIE

Do regulacji i instalacji urządzenia jest konieczne, by pomieszczenie - kuchnia - było odpowiednio wietrzne (wg istniejących norm). Jeżeli urządzenie będzie umieszczone tak, że będzie stykać się ze ścianą pomieszczenia (kuchni), musi być ściana odporna na temperaturę powyżej 60°C.

Ważne jest by po odpakowaniu urządzenia, skontrolować czy urządzenie nie zostało uszkodzone w czasie transportu. Urządzenie umieścić na poziomej powierzchni (z max nierównościami do 2°). Drobne nierówności można wyrównać za pomocą nóżek.

Urządzenie może być instalowane oddzielnie lub w serii z innymi urządzeniami naszej produkcji. Jest ważne utrzymać odległość 10 cm od materiałów łatwopalnych. W takim przypadku ważne jest dodatkowe zabezpieczenie materiałami izolującymi.

Ważne

Producent nie odpowiada za usterki, które powstały na skutek nieodpowiedniej eksploatacji urządzenia wbrew instrukcji obsługi.

Poniższe instrukcje przeznaczone są dla wykwalifikowanego pracownika autoryzowanego serwisu, aby przeprowadził instalację w poprawny sposób, zgodnie z obowiązującymi normami.

Jakakolwiek regulacja powinna być przeprowadzona przy urządzeniu odłączonym od sieci. Jeśli jednak zaistnieje konieczność regulacji w trakcie pracy urządzenia, należy zachować szczególną ostrożność.

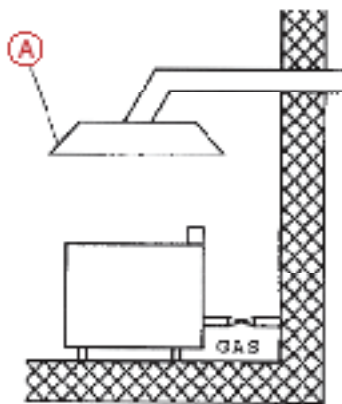
INSTALACJA

Instalacja, naprawy i ustawienia urządzeń do kuchni profesjonalnych i demontaż mogą być przeprowadzane tylko na podstawie umowy o utrzymaniu. Taka umowa może być podpisana ze sprzedawcą urządzenia. Muszą być zachowane wszystkie normy i przepisy dotyczące instalacji i bezpieczeństwa pracy.

Wentylacja pomieszczenia musi być odpowiednio zaprojektowana, wg. istniejących przepisów i norm. Urządzenie może być zainstalowane samodzielnie lub w serii z innymi naszymi urządzeniami. Od ewentualnej ściany z łatwopalnego materiału musi być utrzymany odstęp ponad 10cm.

ODPROWADZANIE SPALIN W URZĄDZENIACH TYPU A

WYCIĄG NATURALNY

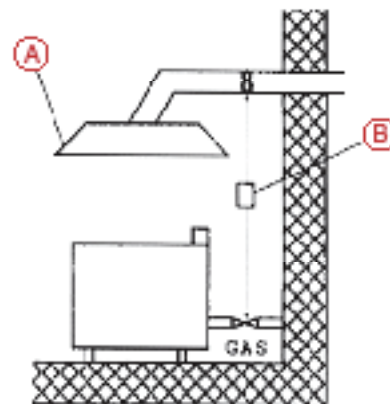


Wyciąg jest umieszczony bezpośrednio nad urządzeniem a wentylacja jest zapewniona przez naturalny ciąg komina.

A - wyciąg

B - sterownik

WYCIĄG WYMUSZONY



Instalacja wentylacyjna nie posiada naturalnego ciągu, lecz jest on wymuszony wentylatorem. W tym przypadku konieczne jest sprzężenie z zaworem dopływu gazu - w przypadku awarii wentylatora dopływ gazu do urządzenia odcięty.

PRZYŁĄCZE GAZU

Gaz musi być przyłączony materiałami zgodnymi z obowiązującymi normami. Każde urządzenie musi być podłączone przez zawór gazowy, aby było możliwe odłączenie dopływu gazu w przypadku awarii. Po instalacji urządzenia należy sprawdzić czy nie występuje wyciek gazu. Nie należy sprawdzać wycieków gazu otwartym ogniem. Rodzaj gazu, na jaki zostało przystosowane urządzenie, jest wpisany na tabliczce znamionowej.

KONTROLA PODŁĄCZENIA WŁAŚCIWEGO TYPU GAZU

Sprawdzić, czy urządzenie jest przystosowane do typu podłączonego gazu - podłączony gaz powinien być zgodny z oznaczeniem na tabliczce znamionowej.

PODŁĄCZENIE INNEGO TYPU GAZU

Urządzenia są przystosowane do gazu ziemnego. Przystawienie urządzenia na inny typ gazu zasilającego może być wykonane jedynie przez wykwalifikowany personel autoryzowanego serwisu producenta. Dysze na propan-butan są dołączone do urządzenia w osobnym woreczku.

WYMIANA DYSZY PALNIKA GŁÓWNEGO (RYS. 3)

Zdjąć ruszt i górne części palnika oraz nierdzewną pokrywę (A). Odkręcić dyszę (D) i wkręcić nową - na właściwy typ gazu, zgodnie z tabelą danych technicznych. Nie trzeba ustawiać palnika. Wszystkie części zamontować na właściwe miejsce w odwrotnej kolejności niż były zdejmowane.

Ważne:

Po przestawieniu urządzenia na inny typ gazu należy zmienić opis na tabliczce znamionowej.



Kontrola pracy urządzenia:

- skontrolować ewentualne wycieki gazu
- skontrolować zapalenie i płomień głównego palnika
- skontrolować płomień głównego palnika przy pracy z minimalną mocą
- sprawdzić, czy płomień otacza termoparę i jest barwy niebieskiej
- zaleca się używać urządzenia zgodnie z instrukcją obsługi

USTAWIENIE MINIMALNEGO PŁOMIENIA (PRZY ZMNIJSZONEJ MOCY)

Płomień minimalny ustawia się za pomocą śrubki znajdującej się w korpusie zaworu gazowego.

ABY WYREGULOWAĆ NALEŻY:

- zdjąć pokrętko regulacyjne (ciągnąć do siebie)
- małym śrubokrętem przez otwór regulacyjny ustawić płomień

PODŁĄCZENIE PRZEWODU ELEKTRYCZNEGO DO SIECI

Przewód elektryczny powinien posiadać oddzielny bezpiecznik, odpowiadający mocy instalowanego pieca. Moc urządzenia należy skontrolować na tabliczce znamionowej umieszczonej na bocznej ścianie urządzenia.

Przewód uziemiający musi być dłuższy od pozostałych przewodów. Urządzenie należy podłączyć bezpośrednio do sieci. Między urządzeniem a siecią należy zamontować wyłącznik zabezpieczający zgodny z normami. Przewód uziemiający (żółto-zielony) nie może być podłączony do tego wyłącznika.

Przewód elektr. powinien być umieszczony tak, aby w żadnym punkcie nie osiągnął temp. o 50° wyższej od otoczenia. Przed podłączeniem do sieci należy sprawdzić czy:

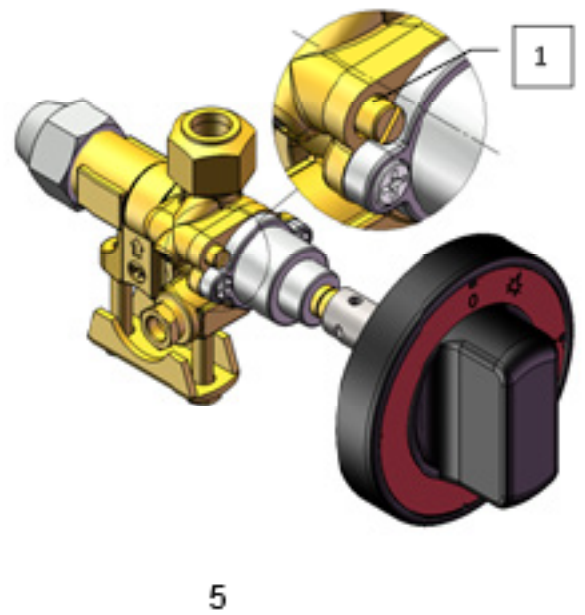
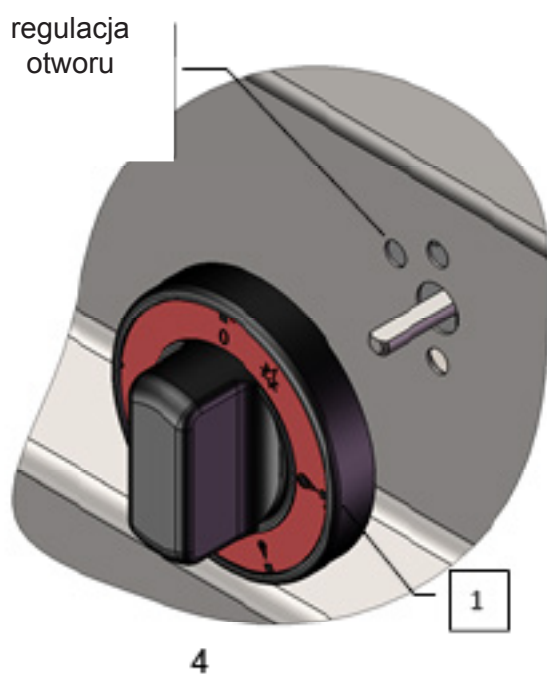
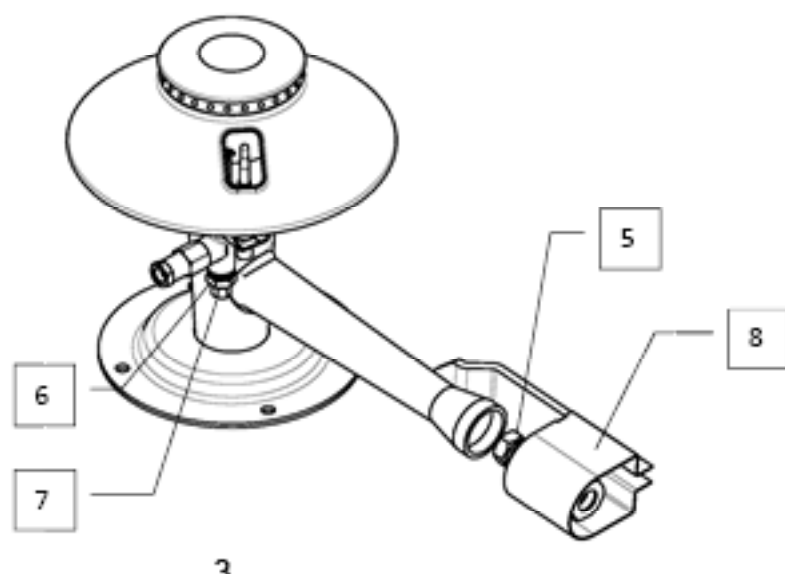
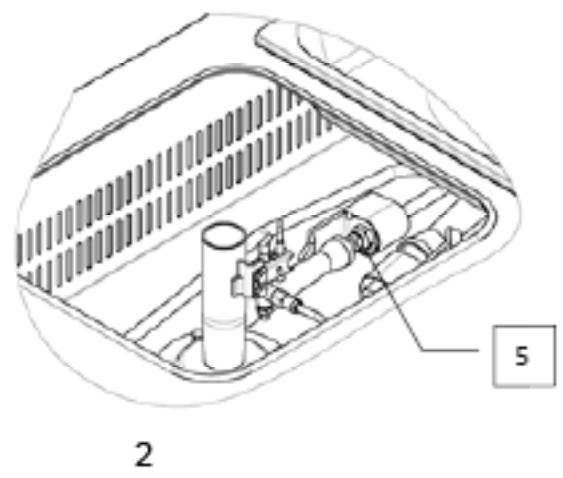
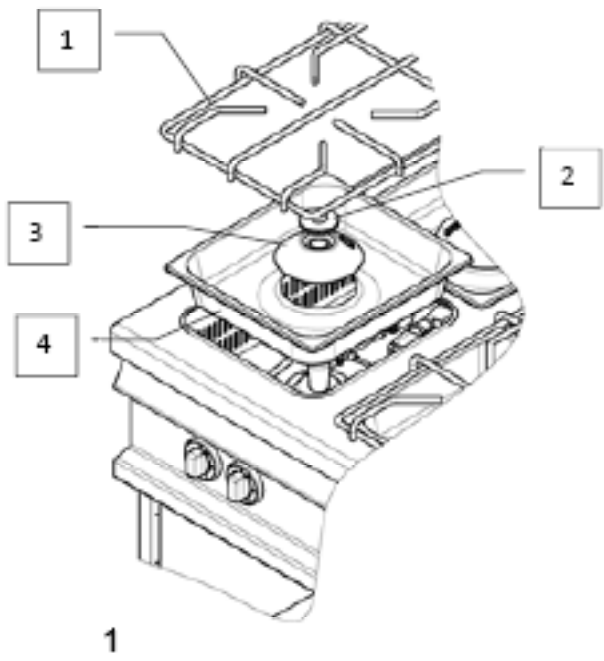
- bezpiecznik wewn. oraz instalacja są odpowiednie do obciążenia urządz.(patrz tabl. znam.)
- instalacja posiada uziemienie zgodne z normami
- wył. zabezp. jest łatwo dostępny

Producent nie ponosi odpowiedzialności w przypadku nie zachowania odpowiednich norm lub naruszenia w / w zasad.

Przed użyciem, urządzenie należy wyczyścić (patrz rozdz. czyszczenie i konserwacja). Urządzenie musi być uziemione za pomocą śruby z oznaczeniem uziemienia.



- Nie wkładaj wtyczki zasilania do źródła zasilania. szuflady i nie wyciągaj z el. gniazda z mokrymi rękami i ciągnąc za zasilaczem!
- Nie używaj przedłużaczy ani gniazd.



INSTRUKCJA OBSŁUGI

Przed pierwszym użyciem należy:

- ściągnąć wszelkie folie zabezpieczające
- przemyć urządzenie wodą z płynem do mycia naczyń, zmyć detergent i wytrzeć do sucha
- W piecach z piekarnikiem, przeprowadzić przepalenie piekarnika - uruchomić pusty piekarnik na około 300°C na 1 godz. do czasu zniknięcia nieprzyjemnego zapachu.

Nie należy pozostawiać pracującego urządzenia bez dozoru.

Zapalenie i sterowanie palników:

Nad każdym pokrętkiem znajdującym się na przednim panelu oznaczony jest czerwonym kolorem odpowiadający mu palnik. Aby zapalić palnik, przyciśnij pokrętło regulacji, przekręć je na pozycję iskry (gwiazdki) i za pomocą zapalniczki lub zapalnika zapal palnik którego chcesz użyć. Przytrzymaj jeszcze przez chwilę pokrętło, aby zagrzała się termopara. Jeżeli po zwolnieniu pokrętła płomień zgaśnie, należy czynność powtórzyć. Ustawiając pokrętło na symbol dużego płomienia palnik będzie działał na maksymalnej mocy, a na symbolu małego płomienia na minimalnej.

Palnik wyłączysz ustawiając pokrętło na pozycję „0“

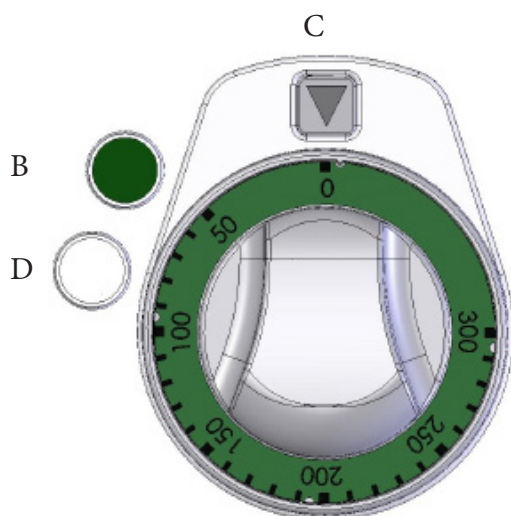


Ogłoszenie:

Nie pozostawiaj pustych pól grzewczych. Istnieje ryzyko uszkodzenia.

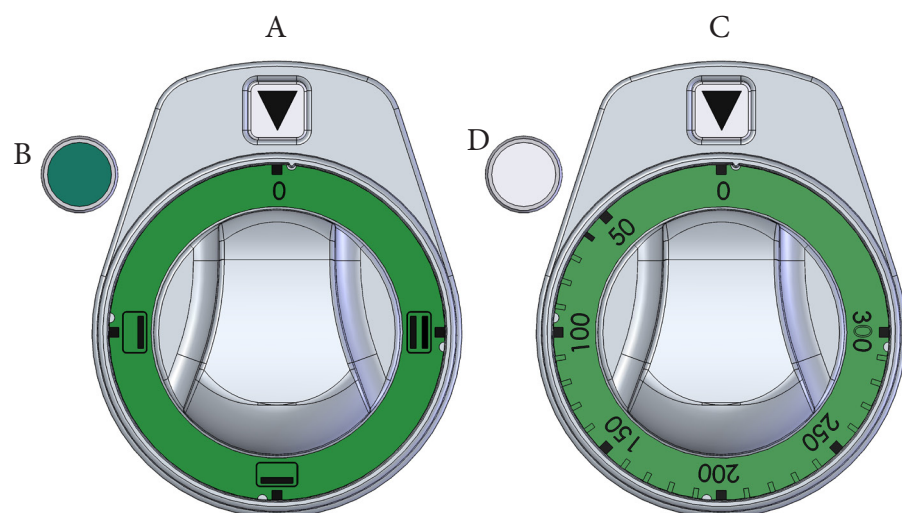
Zapalenie i regulacja palnika piekarnika

Pokrętkę C przekręć w prawo - włączysz wentylator piekarnika (zaświeci się zielona kontrolka B). Za pomocą pokrętki C ustaw żądaną temperaturę piekarnika. Pomarańczowa kontrolka D sygnalizuje pracę grzałek - jeśli w piekarniku zostanie osiągnięta ustawiona temperatura, kontrolka zgaśnie.



- A - pokrętko czasomierza
- B - kontrolka sygnalizująca włączony wentylator
- C - pokrętko termostatu piekarnika
- D - kontrolka sygnalizująca pracę grzałek

Pokrętkę A przekręć w prawo ustawiając pracę grzałek (obie grzałki, górna, dolna). Zielone kontrolki B sygnalizują które grzałki będą pracowały. Pokrętkiem C ustaw pożądaną temperaturę piekarnika. Pomarańczowe kontrolki D sygnalizują która grzałka aktualnie jest nagrzewana (dolna i/lub górna). Po nagraniu piekarnika kontrolki D zgasną. Piekarnik wyłączysz ustawiając oba pokrętki na pozycję „0“.



- A - przełącznik grzałek
- B - kontrolka sygnalizująca która grzałka jest jest włączona (dolna/górna)
- C - pokrętko termostatu piekarnika
- D - kontrolka sygnalizująca która grzałka jest aktualnie nagrzewana (dolna/górna)

CZYSZCZENIE I KONSERWACJA

Zaleca się kontrolę urządzenia przez profesjonalny serwis 2 razy w roku. Wszystkie interwencje w urządzeniu może przeprowadzać tylko przeszkolona osoba, która ma wymagane do tego uprawnienia.

Uwaga! Przed rozpoczęciem używania urządzenia należy ściągnąć z całej powierzchni folię ochronną oraz przemyć urządzenie wodą z płynem do naczyń, a następnie przetrzeć wilgotną szmatką.

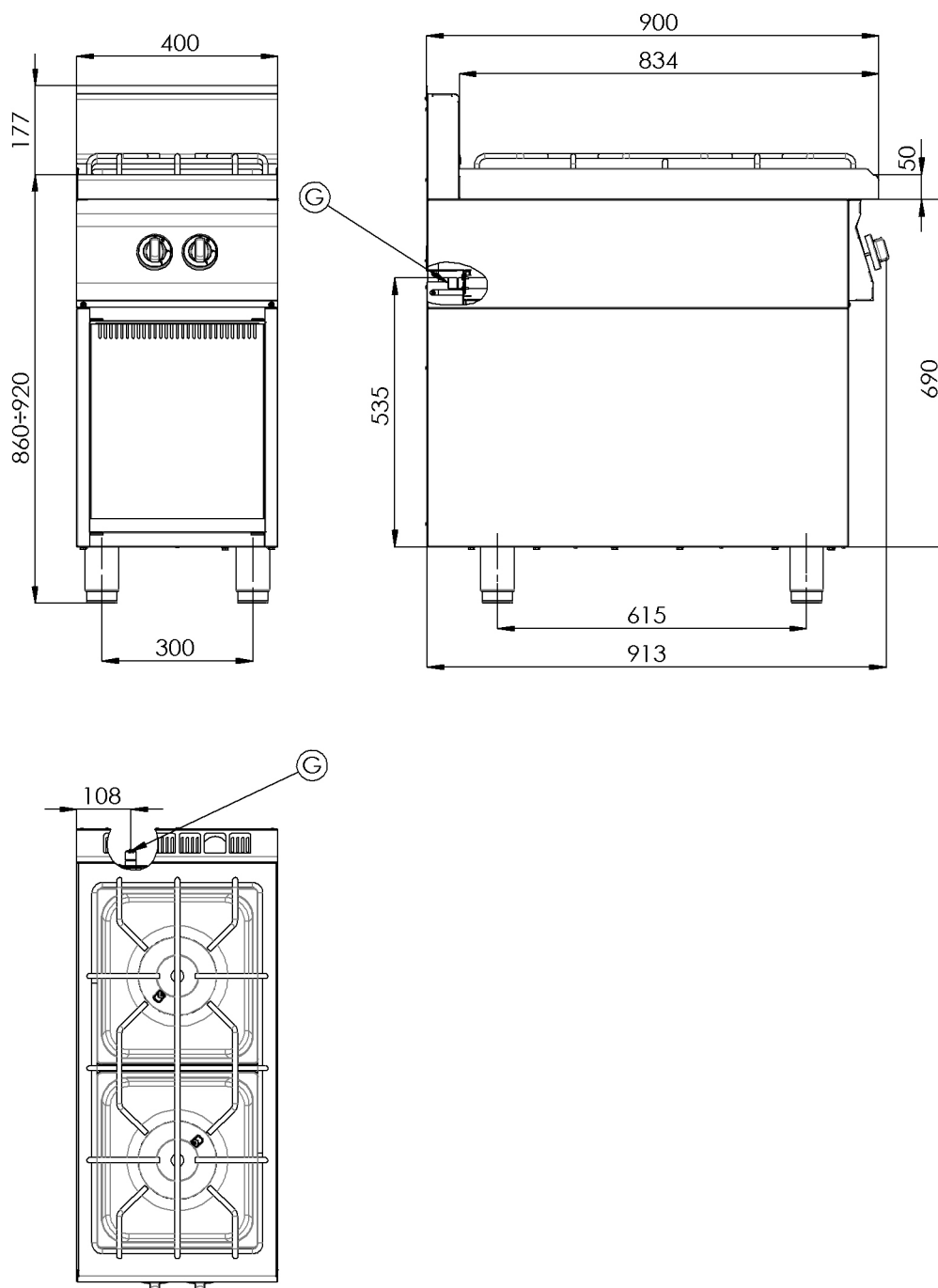
- Czyszczenie przede wszystkim powierzchni, która jest w kontakcie z żywnością musimy przeprowadzać codziennie i bardzo dokładnie.
- Części nierdzewnych nie wolno czyścić pastami gruboziarnistymi lub środkami agresywnymi.
- Do czyszczenia nie używać papierów ściernych.
- W razie silnego zabrudzenia powierzchni dopuszczalne jest użycie gąbki z utwardzoną powierzchnią.
- Urządzenie czyścić wyłącznie zimne - w przeciwnym wypadku grozi to oparzeniem.
- W czasie dłuższej przerwy w eksploatacji urządzenia należy je zakonserwować olejem jadalnym i wyłączyć zasilanie elektryczne.
- Urządzenia nie należy czyścić wodą pod ciśnieniem (z węża).

Seznam dílů pro výměnu

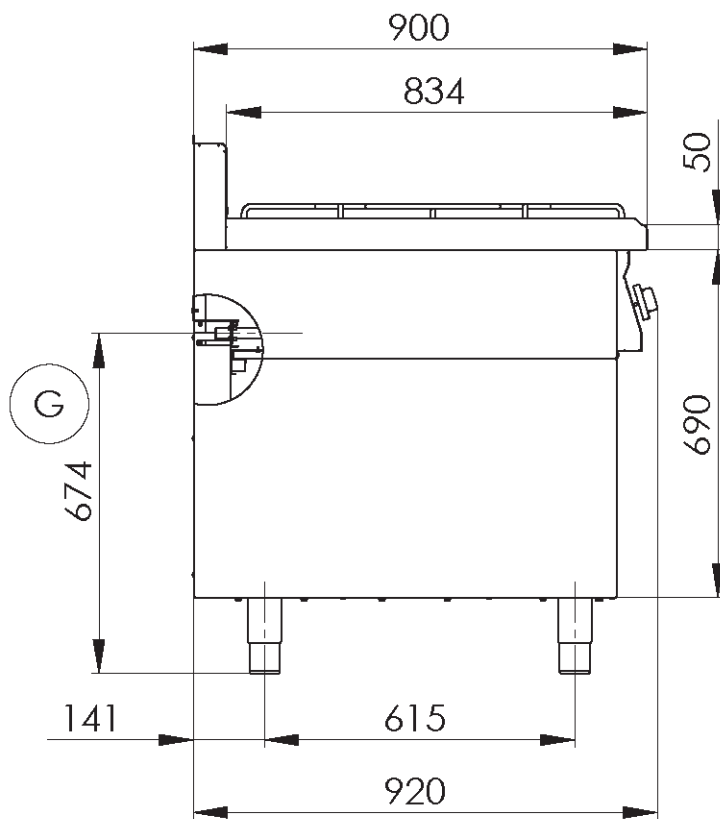
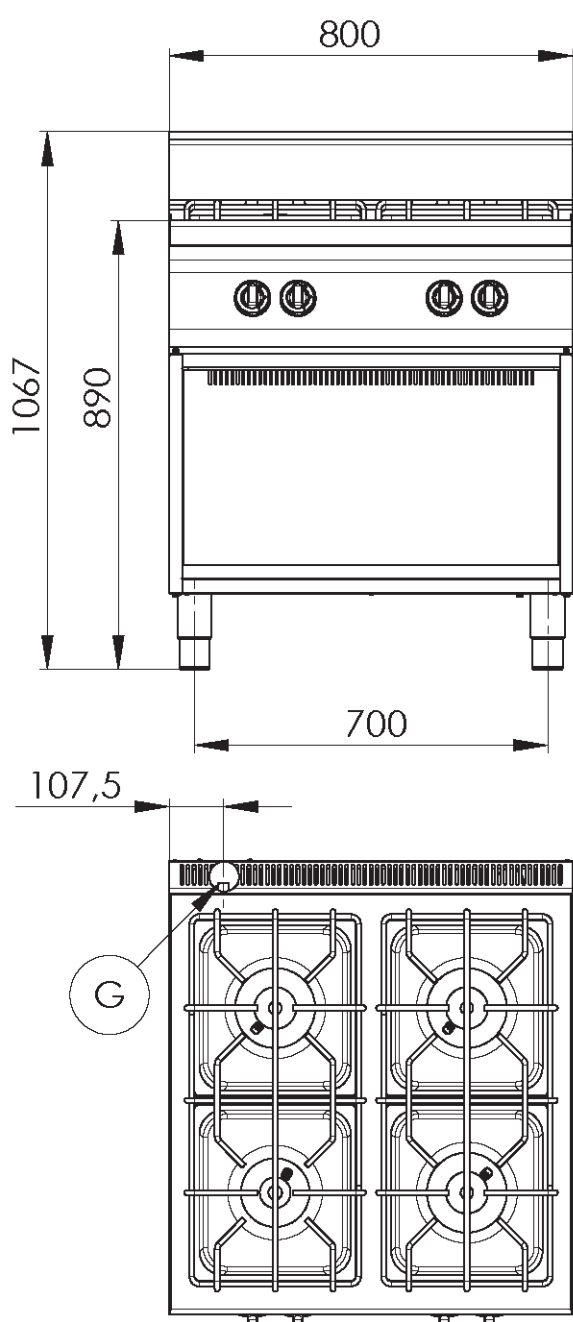
Zkratka 1	Název zboží
402590710	Podložka regulačního knoflíku RF-900 mat
402590709	Regulační knoflík RF-900 mat G
402590708	Regulační knoflík RF-900 mat E
404000169	Hořák pro troubu 2/1 L 700
404000318	Hořák CF-RM - regulace vzduchu
404000310	Hořák CF-RM - pilotní hořák + tryska 24
404000302	Hořák CF-RM 8,0 kW
404000300	Hořák CF-RM 3,5 kW
404000003	Hořáček pilotní L 700
404530301	Svíčka zapalovací L 700
404050311	Termočlánek 1500mm M9x1
404050310	Termočlánek 500mm M9x1 (BR)
404050300	Termočlánek 1000mm M9x1 (BR900)
401540000	Piezozapalovač
402008350	Kabel zapalovací vysokonapěťový R2,2-L1400-R2,2
402594045	Samolepící značka - sporák REDFOX
402594256	Samolep. etiketa se stupnicí SP-G L900 REDFOX
402594078	Samolep. etiketa plyn. trouba L700 REDFOX
402594046	Samolepící značka - šipka REDFOX
404510000	Ventil plynový 630 EUROSIT BR 8,90
402511200	Termostat pojistný 360°C 1 fáz. PT,BR-G
402005110	Vnitřní kabeláž H110

ROZMĚROVÝ NÁČRTEK S PŘÍPOJNÝMI BODY RYSUNEK WYMIAROWY

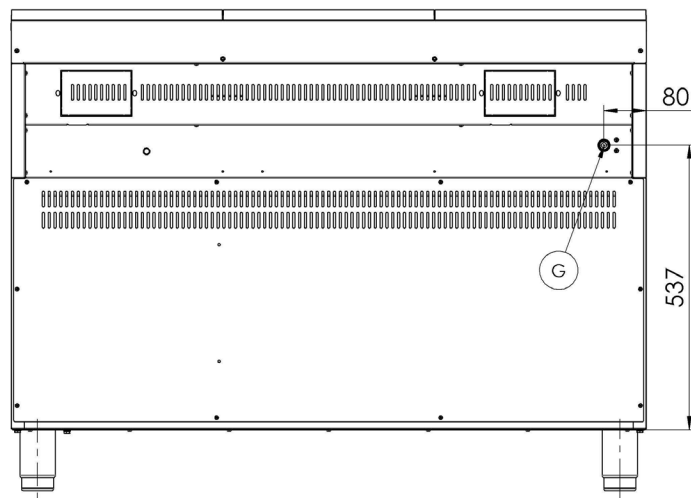
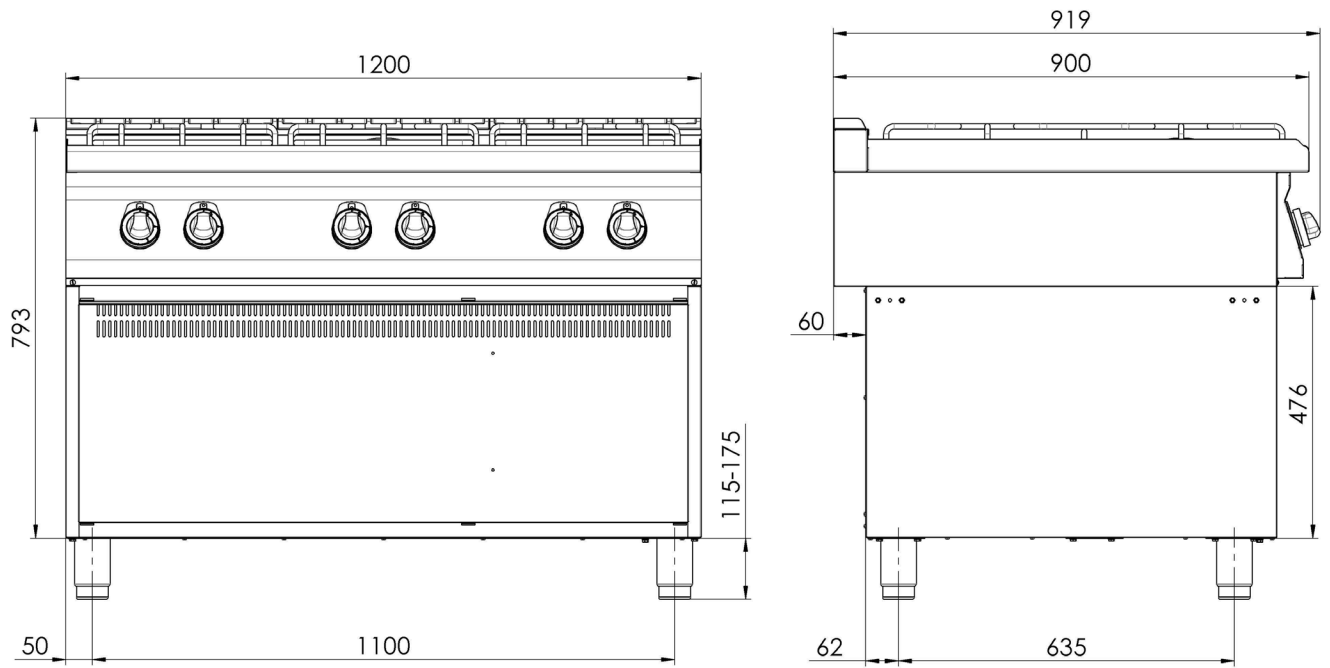
SP 90/40 G



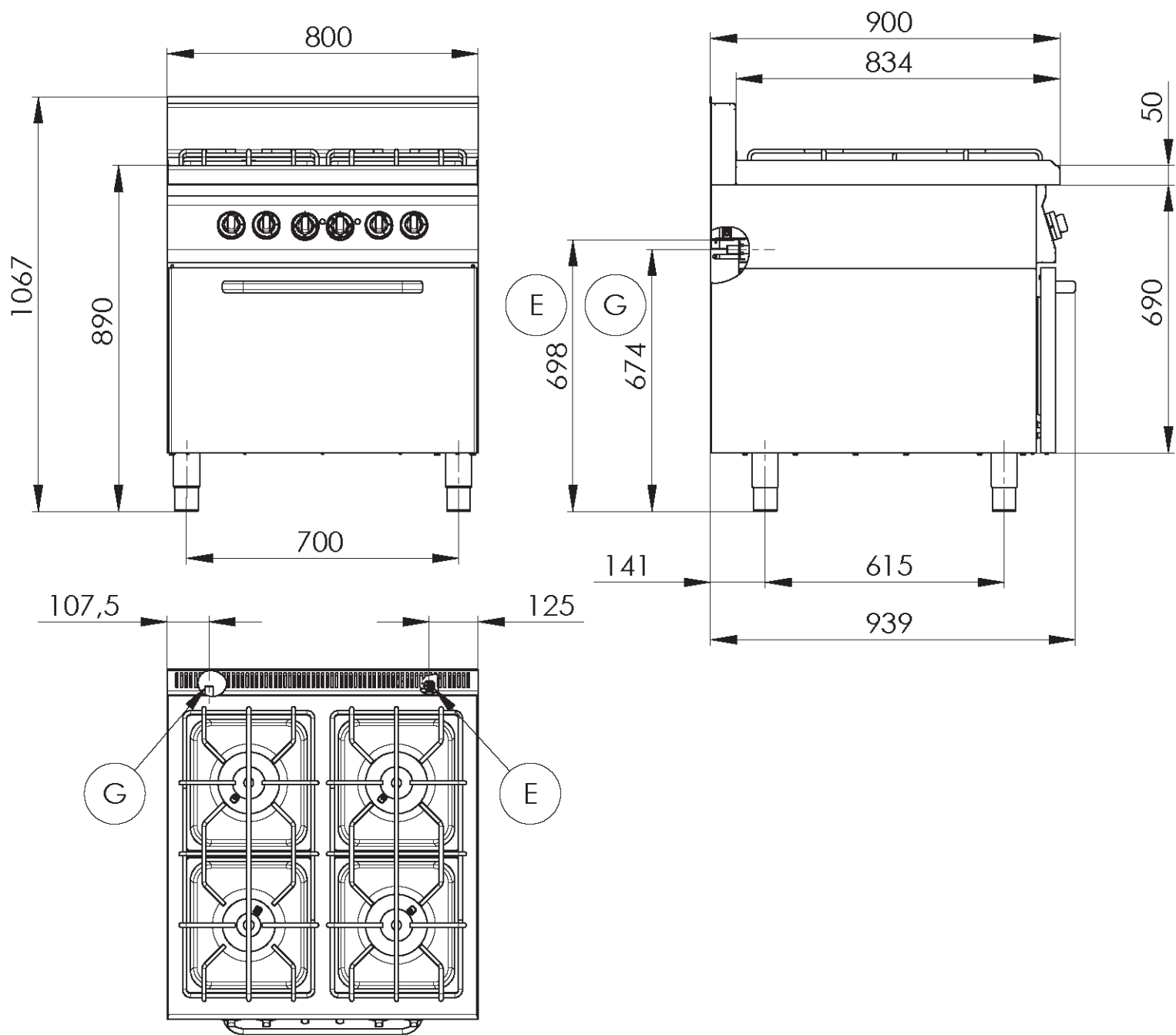
SP 90/80 G



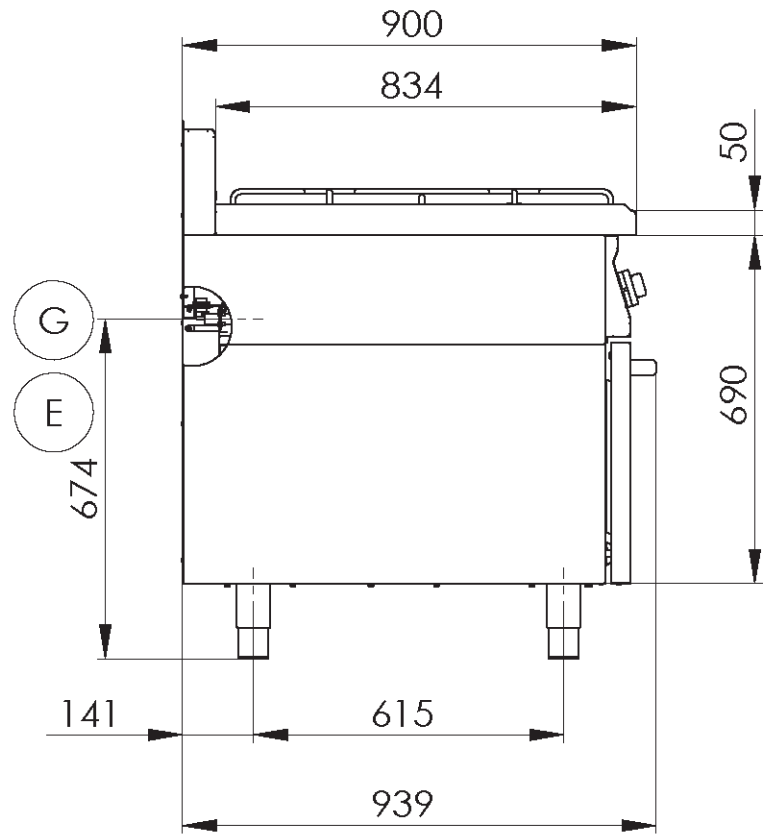
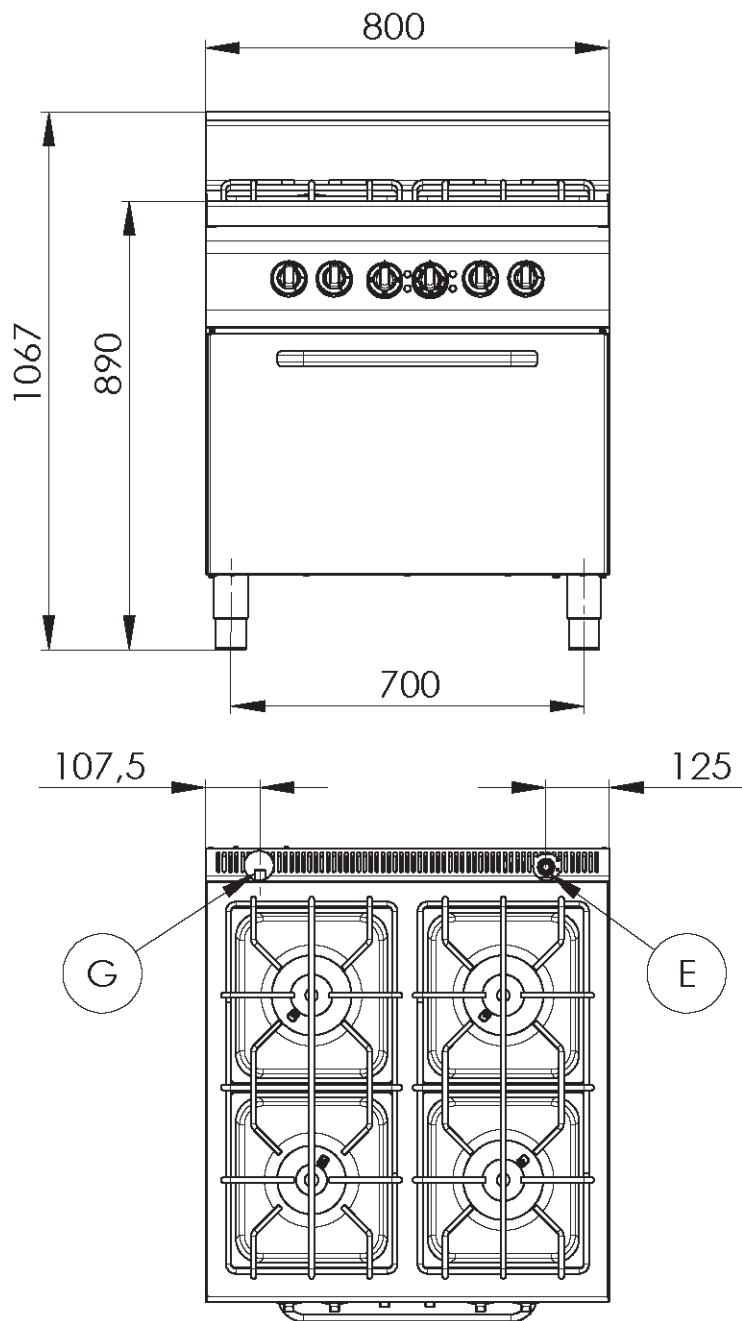
SP 90/120 G



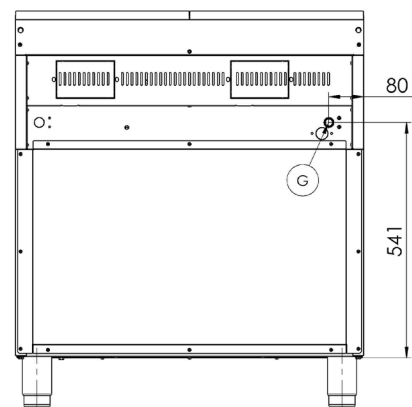
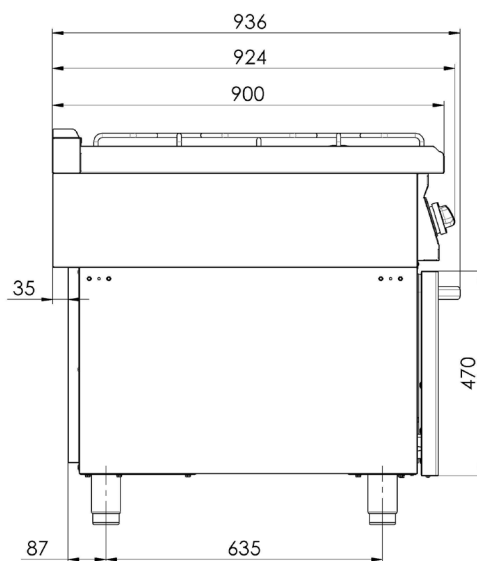
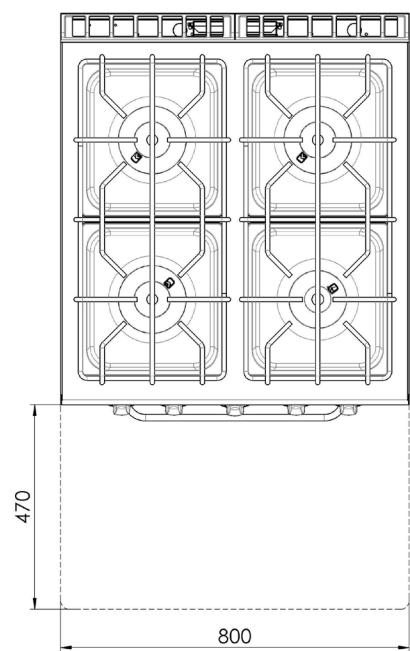
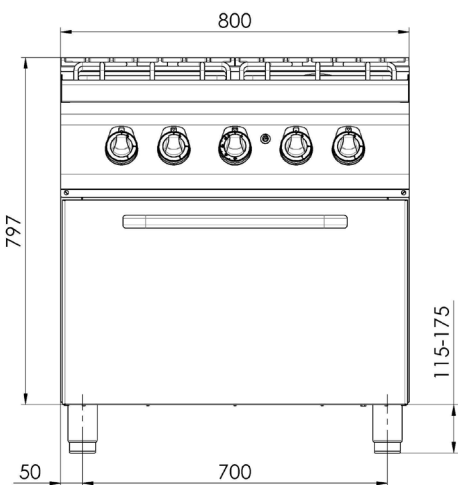
SPT 90/80-11 GE



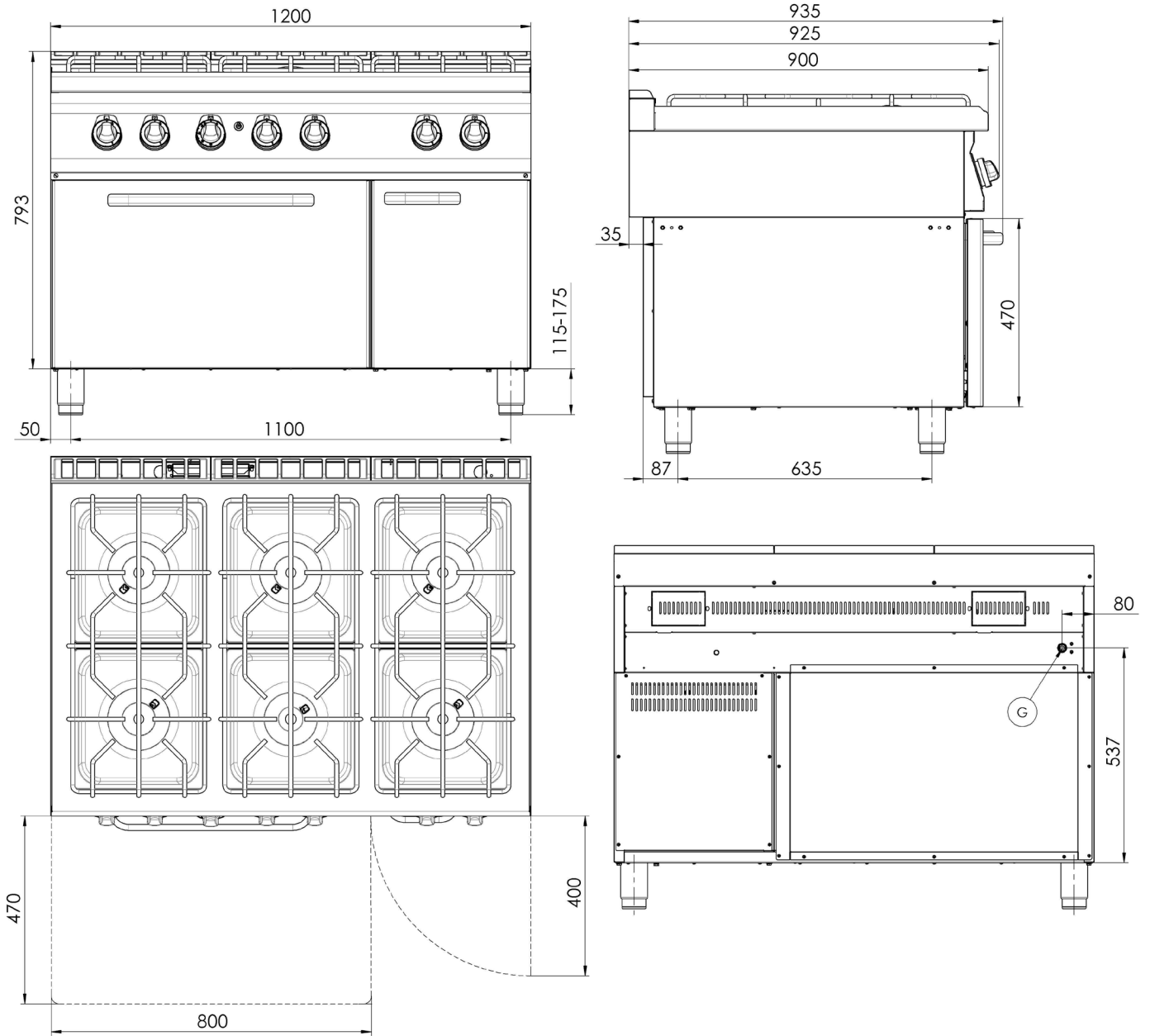
SPT 90/80-21 GE



SPT 90/80-21 G



SPT 90/120-21 G



SPT 90/120-21 GE

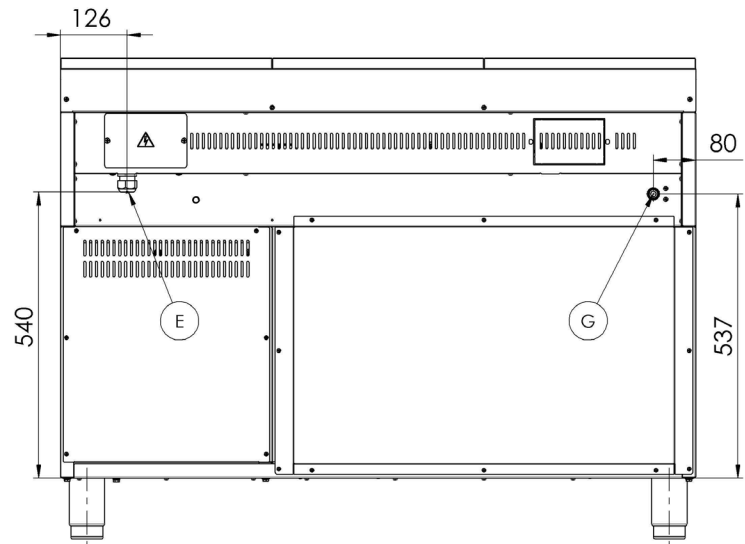
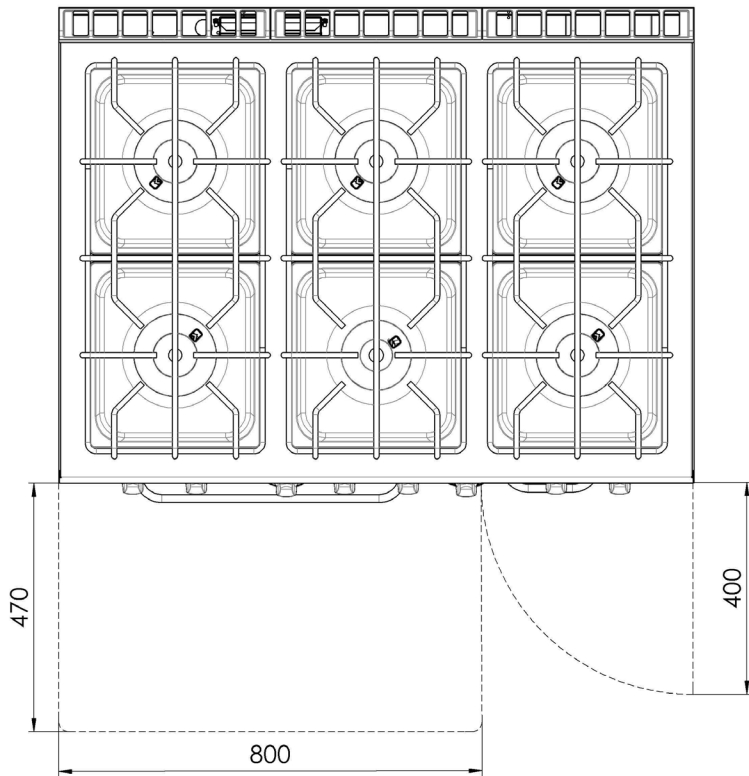
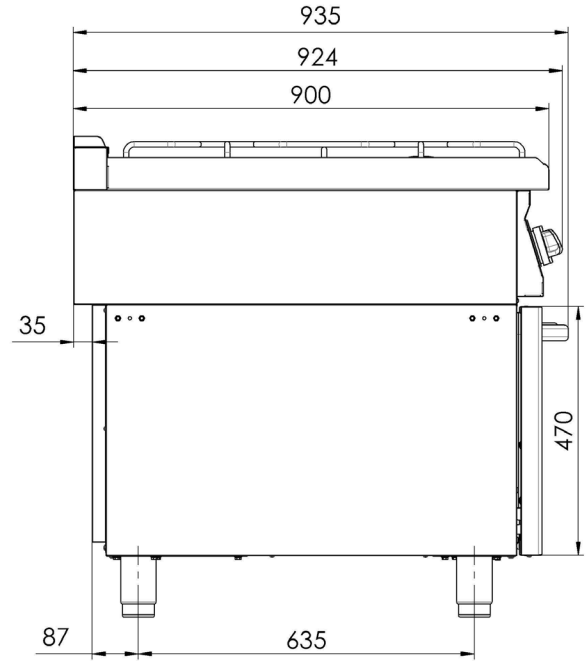
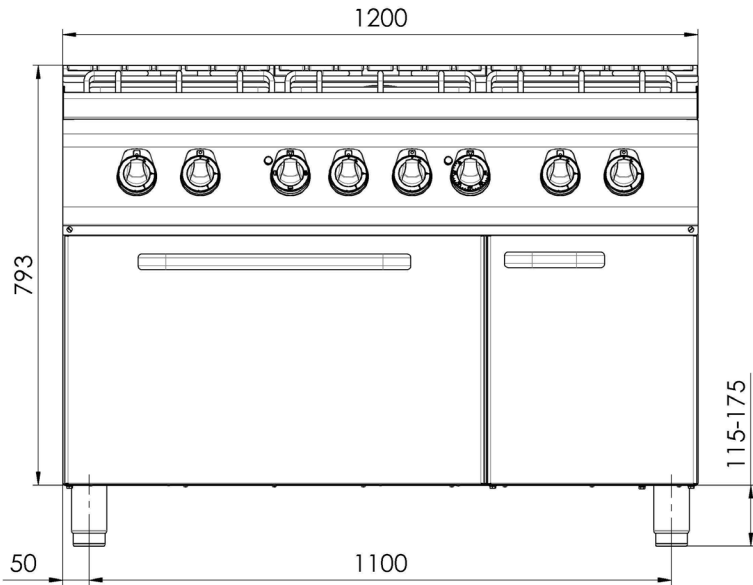
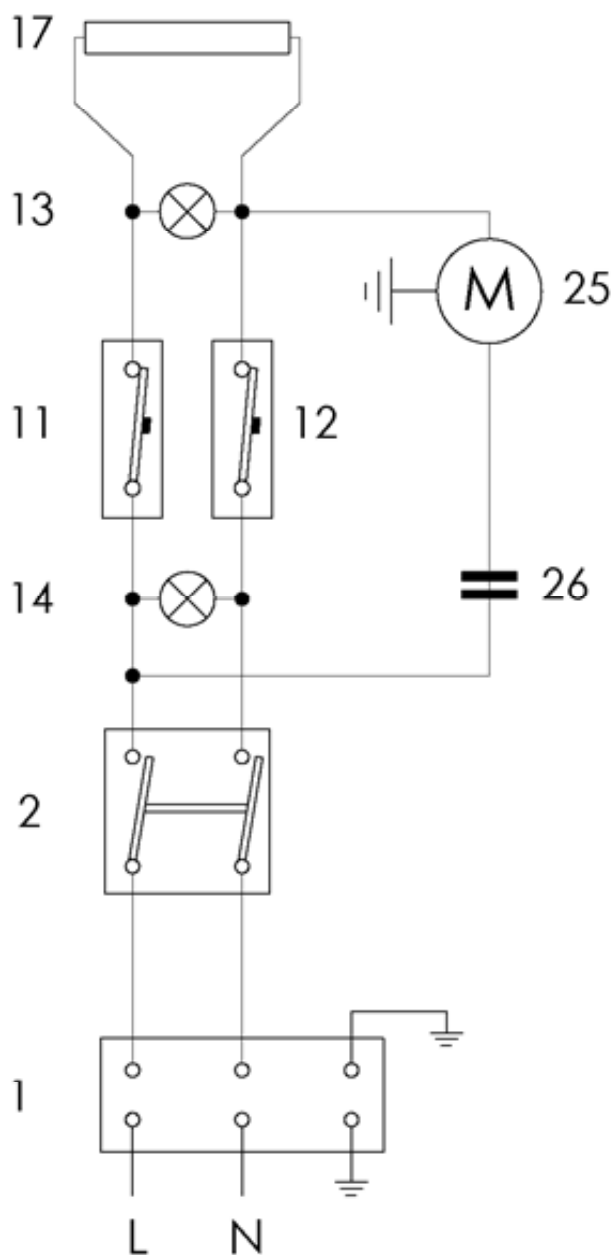


SCHÉMA ZAPOJENÍ HORKOVZDUŠNÉ TROUBY PIECE KONWEKCYJNE SCHEMAT

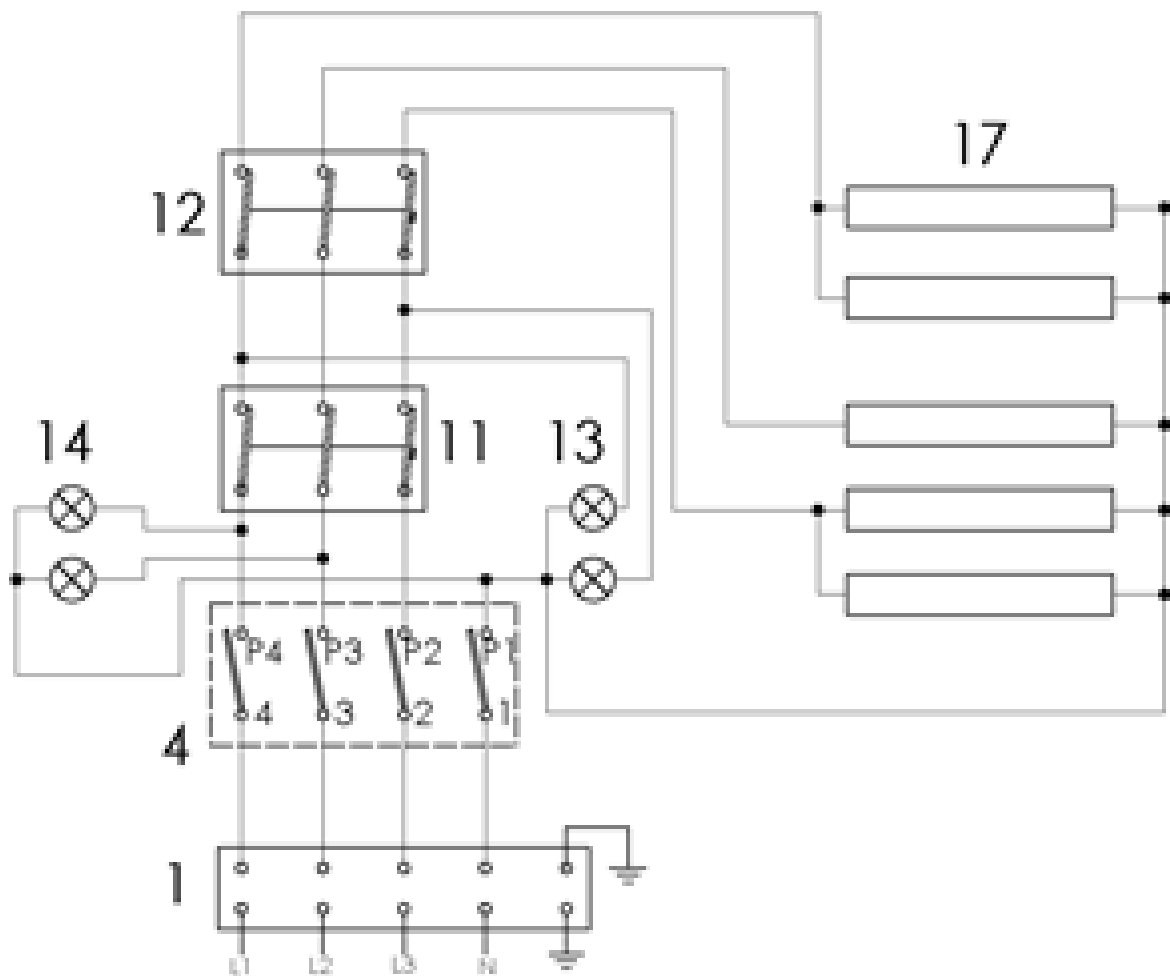
CF-90-11 G



1- SVORKOVNICE	17- TOPNÉ TĚLESO
2- VYPÍNAČ O/I	18- PLOTÝNKA
3- VYPÍNAČ PROSVĚTLENÝ O/I	19- TRANSFORMÁTOR
4- PŘEPÍNAČ OTOČNÝ	20- POJISTKA
5- TLAČÍTKOVÝ SPÍNAČ	21- RHEOSTAT
6- KONCOVÝ SPÍNAČ	22- TERMOČLÁNEK
7- MIKROSPÍNAČ	23- ČIDLO
8- RELÉ	24- MOTOR ZDVIHU
9- KONTAKTY RELÉ	25- MOTOR VENTILÁTRU
10- ČASOVÝ SPÍNAČ	26- KONDENZÁTOR ROZBĚHOVÝ
11- TERMOSTAT PRACOVNÍ	27- ZAPALOVACÍ SVÍČKA
12- TERMOSTAT POJISTNÝ	28- PLYNOVÝ VENTIL (SIT)
13- KONTROLKA ORANŽOVÁ	29- ZÁSUVKA
14- KONTROLKA ZELENÁ	30- DIGITÁLNÍ TEPLMÉR
15- DIODA	31- ŘÍDÍCÍ JEDNOTKA
16- VNITŘNÍ OSVĚTLENÍ	

SCHÉMA ZAPOJENÍ STACIONÁRNÍ TROUBY SCHEMAT STACJONARNY PIEC

SPT 90/80 - 21 GE



1- SVORKOVNICE	17- TOPNÉ TĚLESO
2- VYPÍNAČ 0/I	18- PLOTÝNKA
3- VYPÍNAČ PROSVĚTLENÝ 0/I	19- TRANSFORMÁTOR
4- PŘEPÍNAČ OTOČNÝ	20- POJISTKA
5- TLAČÍTKOVÝ SPÍNAČ	21- RHEOSTAT
6- KONCOVÝ SPÍNAČ	22- TERMOČLÁNEK
7- MIKROSPÍNAČ	23- ČIDLO
8- RELÉ	24- MOTOR ZDVIHU
9- KONTAKTY RELÉ	25- MOTOR VENTILÁTRU
10- ČASOVÝ SPÍNAČ	26- KONDENZÁTOR ROZBĚHOVÝ
11- TERMOSTAT PRACOVNÍ	27- ZAPALOVACÍ SVÍČKA
12- TERMOSTAT POJISTNÝ	28- PLYNOVÝ VENTIL (SIT)
13- KONTROLKA ORANŽOVÁ	29- ZÁSUVKA
14- KONTROLKA ZELENÁ	30- DIGITÁLNÍ TEPLMÉR
15- DIODA	31- ŘÍDÍCÍ JEDNOTKA
16- VNITŘNÍ OSVĚTLENÍ	

GWARANCJA I SERWIS

Gwarancja nie obejmuje żadnych części, które podlegają naturalnemu zużyciu (uszczelki, żarówki, części plastikowe i szklane itp.) Gwarancja nie obejmuje również urządzenia jeśli podłączone było niezgodnie z instrukcją lub przez osoby nie posiadające odpowiednich uprawnień. Gwarancja nie obejmuje uszkodzeń spowodowanych warunkami atmosferycznymi lub przez osoby trzecie.

Warunkiem koniecznym do udzielenia gwarancji jest prawidłowo wypełniona karta gwarancyjna.

 Dokumentten dostarcza i wypełnia firma montująca i serwisująca urządzenie.

KARTA GWARANCYJNA		
Producent: RM GASTRO s.r.o. Veseli nad Lužnicí	Typ produktu:	Numer seryjny:
Sprzedający		
Nazwa firmy:	Data sprzedaży:	Pieczętka i data instalacji:
Kupujący		
Imię i nazwisko / nazwa firmy:		Pieczętka: <small>Podkreślenie, że urządzenie zostało gwarantowane pod tym samym adresem montażu urządzenia</small>
Adres:		
Serwis		
Firma serwisująca:	Naprawa gwarancyjna 1.	Naprawa gwarancyjna 2.
Przebieg techniczny 1.	Naprawa gwarancyjna 3.	Naprawa gwarancyjna 4.
Przebieg techniczny 2.	Naprawa gwarancyjna 5.	Naprawa gwarancyjna 6.
Przebieg techniczny 3.		

wzór karty gwarancyjnej

- Jeśli podczas rozmowy telefonicznej z serwisem RM GASTRO POLSKA klient udzieli mylnej informacji mającej znaczenie podczas montażu, dodatkowo wykonane usługi zostaną zafakturowane (przyłącze elektryczne, podłączenie wodno-kanalizacyjne).
- **Wykaz części i materiałów eksploatacyjnych jest dostępny u producenta.**

RM GASTRO jako producent udziela gwarancji, która jest realizowana przez diler (firmę sprzedającą urządzenie). W rzypadku gdy diler nie jest w stanie dokonać naprawy lub wymiany gwarancyjnej prosimy o bezpośredni kontakt z importerem.

RM GASTRO Polska Sp. z o. o.

ul. Skoczowska 94

43-450 Ustroń

(33) 854 73 26

info@rmgastro.pl

www.rmgastro.pl

.....

.....

IZJAVA O SAGLASNOSTI SA NORMAMA

Proizvodjač proglašava da uređaji ispunjavaju norme evropskog parlamenta i savjeta 2009/142/ES. Instalacija mora biti provedena prema važećim normama.

Proizvodjač proglašava da njegovi proizvodi ispunjavaju osnovne uvjete smjernica EU 2004/108/ES i uvjete smjernica 2006/95/ES.

Pozor, proizvođač ne snosi odgovornost u slučaju direktnog i/ili indirektnog oštećenja, a koje može biti uzrokovano neodgovornom ili neprofesionalnom instalacijom, neispravnom opravom i/ili korištenjem, nedovoljnim održavanjem i čišćenjem, te ostalim faktorima koji su uvedeni u uputstvu, odnosno uslovima prodaje. Ovaj uređaj je namijenjen samo k profesionalnom korišćenju i upotrebi, tako da mora biti servisiran samo kvalifikovanim osobljem. Dijelovi koji su bili instalirani od strane proizvođača ili njim povjerene osobe, ne smije korisnik mijenjati, niti opravljati.

TEHNIČKI PODACI

Naljepnica sa tehničkim podacima se nalazi sa zadnje ili bočne strane aparata. Prije nego što aparat počnete koristiti prostudirajte shemu elektr. instalacije i ostale odgovarajuće informacije.

MODEL	PEĆNICA GN 1/1	PEĆNICA GN 2/1	NAPON (V/Hz)	GORIONIKA (kW)	RAZM. UREDJAJA (MM)
SPT 90/80 - 11 GE (CF 90/80 - 11 GE)	3,1kW	-	400/3N/50	1x3,5 + 1x5,0 + 2x8,0	80x90x90 v
SPT 90/80 - 21 GE (CF 90/80 - 21 GE)	-	6,0kW	400/3N/50	1x3,5 + 1x5,0 + 2x8,0	80x90x90 v
SP 90/80 G (PC 90/80 G)	-	-	-	1x3,5 + 1x5,0 + 2x8,0	80x90x90 v
SP 90/40 G (PC 90/40 G)	-	-	-	2x8,0	40x90x90 v

	G30 BUTAN 30mbar	G30 BUTAN 50mbar	G20 ZEMNI PLIN 20mbar	G25 ZEMNI PLIN 20mbar
TMLAZNICA GORIONIKA 1/100 MM (3,5 KW)	90	80	140	150
MLAZNICA GORIONIKA 1/100 MM (5 KW)	110	100	170	195
MLAZNICA GORIONIKA 1/100 MM (8 KW)	140	120	220	240
MLAZNICA GORIONIKA 1/100 MM (PILOT)	24	24	24	24
POTROŠNJA				
Gorionik 3,5 kW	0,261kg/h	0,25kg/h	0,347m3/h	0,397m3/h
Gorionik 5,0 kW	0,354kg/h	0,38kg/h	0,559m3/h	0,679m3/h
Gorionik 8,0 kW	0,610kg/h	0,59kg/h	0,865m3/h	1,010m3/h
UKOPNO	1,835kg/h	1,81kg/h	2,636m3/h	3,096m3/h

KONTROLA PAKOVANJA I APARATA

Uredjaj napušta naše skladište uredno zapakovan, na pakovanju se nalaze simboli i opis tipa aparata. U pakovanju ćete naći uputstvo za upotrebu. Ukoliko bi se na pakovanju vidjelo da je s njim bilo loše manipulirano, da je pakovanje oštećeno, morate to odmah riješiti sa prijevoznikom, a to tako što ćete s njim napisati i obostrano potpisati protokol o šteti. Kasnije reklamacije nećemo uzimati u obzir.



Važno upozorenje

Ovo uputstvo mora biti pažljivo pročitano, budući da sadrži bitne informacije o sigurnosti, instalaciji i korištenju.

- Ove preporuke se odnose na ovaj proizvod ili liniju proizvoda.
- Ovo uputstvo se treba sačuvati i za buduće korištenje.
- Zabranite djeci da koriste uređaj.
- Prilikom preprodaje ili izmjene pozicije uređaja, neophodno je upoznati servis i osoblje sa priloženim uputstvom za upotrebu i instalaciju.
- Uredjaj smije koristiti samo poslušač koji je upoznat sa uputstvom.
- Nesmijete ostavljati uređaj bez nadzora.
- Preporučuje se kontrola autorizovanim servisom minimalno 2x godišnje.
- U slučaju oprave ili izmjene rezervnog dijela, koristite samo originalne dijelove.
- Uredjaj se ne smije čistiti vodom pod pritiskom (tuš ili crijevo sa vodom).
- U slučaju kvara, isključite aparat iz struje, prekinite dovod vode i/ili plina, a potom se obratite na autorizovani servis.
- Proizodjač ne snosi odgovornost u slučaju pogrešne instalacije, nedodržavanjem gore navedenih preporuka, odnosno neodgovornim korištenjem i sl.
- Uredjaj smije biti korišten samo k tomu čemu je namijenjen, drugi način korištenja može uzrokovati oštećenje aparata ili, čak, tjelesne povrede.
- Moramo najstrožije dodržavati pravila protivpožarne zaštite.

POZICIJA

Za ispravan rad i položaj aparata neophodno je dodržavati smjernice i norme propisane u uputstvu.

Raspakujte uređaj i prekontrolirajte da se nije slučajno oštetiо tijekom transporta. Smjestite uređaj na vodoravnu podlogu (maksimalna neravnina do 2°). Male neravnine možemo regulirati nožicama.

Ako je aparat smješten tako da će biti u neposrednoj blizini namještaja, taj mora biti otporan na toplotu od 60°C. Instalaciju, podešavanje i početak korištenja mora biti proveden kvalifikovanim osobom, koja je k tomu povjerena od strane autorizovanog servisa.

Uredjaj može biti instaliran samostalno ili u seriji sa ostalim našim proizvodima. Obavezno dodržavajte minimalnu udaljenost 10 cm od lako zapaljivih predmeta. U takvom slučaju, moraju biti provedene određene izmjene kako bi izolirale zapaljive materijale.

Uredjaj smije biti instaliran samo na nezapaljivoj površini i pored vatrostalnog zida.

INSTALACIJE

Važno:

Proizvodjač ne daje nikakvu garanciju na greške uzrokovane neispravnim korištenjem, nepridržavanjem danih instrukcija ili neodgovornim korištenjem proizvoda.

Instalaciju, izmjene i oprave, a jednako tako i demontažu, ukoliko je aparat oštećen, može provesti samo odgovorna osoba, a to povjerena autorizovanim servisom. I to na osnovu ugovora o prodaji i održavanju koji može biti sklopljen samo sa oficijalnim predstavnikom proizvođača, a mora sadržavati sve tehničke propise i norme koje se tiču instalacije, dovoda struje i plina, te bezbjednosti rada.

Tehničke instrukcije za instalaciju i podešavanje služe samo SPECIJALIZIRANIM serviserima.

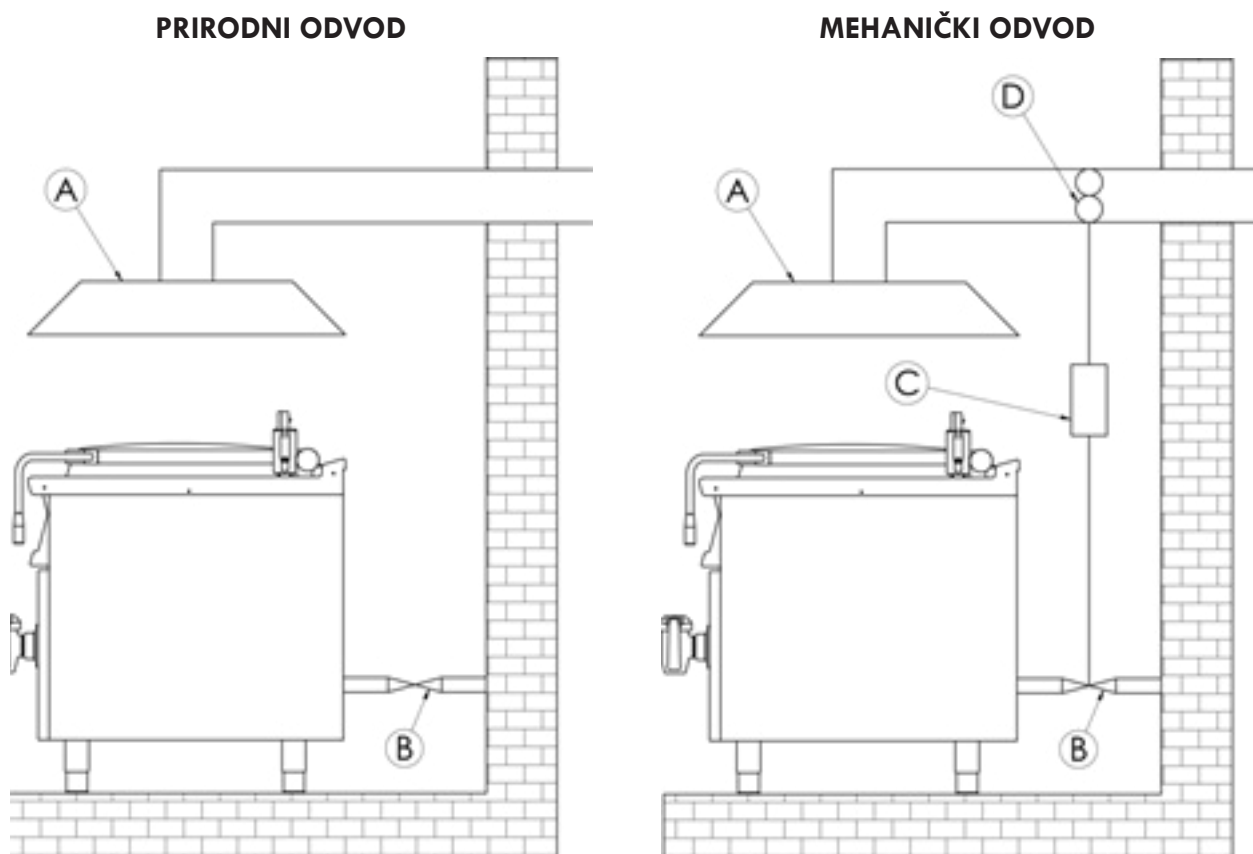
Instrukcije, koje slijede tiču se tehničara kvalifikovanih za instalaciju uređaja, a da bi to učinili na što korektniji i odgovorniji način, a to prema zadanim normama.

Bilo koja djelatnost vezana za regulaciju i sl., mora biti provedena samo kada je aparat isključen i prekinut dovod plina i/ili vode. Dok aparat ne isključite i odpojite, budite maksimalno oprezni i pažljivi prilikom rukovanja.

Kakav trebate koristiti odvod dima, možete vidjeti na naljepnici sa deklaracijom tipa aparata, radi se o aparatima tipa A1.

PROVEDBA ODVODA PLINA

Uredjaje tipa A (pogledaj naljepnicu sa karakteristikama) moramo instalirati u prostoru koji je dovoljno odvetran, a to u tom smislu, da u njemu nije moguća veća koncentracija štetnih plinova ili dima. Tim se podrazumijeva da sam aparat nema svoj dimnjak i nije spojen sa drugim aparatom koji bi već imao svoj odvod dima.



Odvod digestora je u samom tijelu dimnjaka (A). Odvod dima, osigurava prirodno odvetranje dimnjaka.

Odvod digestora nema prirodno odvetranje. To obezbijedjuje ventilator (D), (mehanički odvod). U tom slučaju, obavezno je spojiti dovod plina (B) sa odvodem dima, ukoliko bi došlo do nestanka elektr. energije.

BEZBJEDNOSNE MJERE PROTIVPOŽARNE ZAŠTITE

- Koristiti uređaj smiju samo odrasle osobe.
- Uređaj smije biti korišten samo u tome namijenjenom prostoru.
- Uređaj postavite tako da stoji na vatrostalnoj podlozi.

Na uređaj i u njegovoj blizini ne smiju biti postavljeni lako zapaljivi predmeti (najmanja dozvoljena udaljenost između aparata i zapaljivih materijala je 10 cm).

• Informacije o stupnju zapaljivosti uobičajenih građevinskih materijala možete vidjeti na tabeli. Uređaj mora biti instaliran na bezbjednom mjestu. Prilikom instalacije moraju biti respektovani priloženi projektni materijali, sigurnosni i higijenski propisi.

Stupanj zapaljivosti	Gradjevinski materijal
A - nezapaljive	granit, pijesak, beton, cigle, keramičke pločice, žbuka
B - teško zapaljive	akumin, heraklit, lihnos, itaver
C1 - veoma zapaljive	drvo, sirkoklit, tvrdi papir, sadrokarton
C2 - srednje zapaljive	iverica, solodur, pluto, guma, linoleum
C3 - lehce hořlavé	dřevovláknité desky, polystyrén, polyureten, PVC

Uređaji moraju biti instalirani na bezbjedan način. Prilikom instalacije uređaja moraju biti

PRIKLJUČIVANJE EL. KABLA U STRUJU

Instalacija dovoda struje - taj dovod mora imati svoj poseban osigurač. A to odgovarajući prema snazi i naponu instalovanog aparata. Ove podatke ćete naći na naljepnici sa zadnje ili bočne strane aparata.

Uzemljenje može biti duže od ostalih spojnica. Uređaj pripojite direktno na struju, a neophodno je da instalirate između uređajem i strujom prekidač, i to na udaljenosti 3mm između samostalnim kontaktima, tako da bi odgovarao važećim normama i opterećenju. Uzemljenje (žuto-zeleno) ne smije biti tim prekidačem prekinuto. Aparat je predviđen da se uključi u utičnicu, ukoliko ima odgovarajući osigurač.

U svakom slučaju, dovod mora biti postavljen tako da kabel niti na jednom mjestu ne može imati toplotu višu za 50 stupnjeva od sredine u kojoj se nalazi. Prije nego što kabel spojite, uvjerite se da:

- osigurač i razvodi mogu podnijeti opterećenje samog aparata (pogledaj naljepnicu)
- razvodi imaju odgovarajuće uzemljenje a to prema normama i uslovima određenim zakonom
- utičnica ili prekidač su lako pristupni.

Ne preuzimamo bilo kakvu odgovornost u slučaju da se nisu dane instrukcije respektovale ili ako se nije postupalo prema danim uputama.

Prije prve upotrebe pročitajte poglavlje „čišćenje i održavanje“. Uređaj mora biti uzemljen pomoću već označenih šarafa.

SPAJANJE PRIVODA PLINA DO APARATA

Kod spajanje uređaja sa plinom trebamo koristiti čeličnu ili bakarnu cijev, a to prema zakonima dane države. Ta mora biti redovno kontrolisana i izmijenjana ukoliko je to potrebno. Svaki uređaj mora imati odgovarajući zatvarač i havarijni zatvarač. Havarijni zatvarač mora biti lako dostupan i na dohvata aparata. Kada završimo instalaciju, moramo prekontrolisati propusnost plina. Da bi to učinili, možemo koristiti rastvor vodu i sapuna koji će nam otkriti eventualno „curenje“ plina.

Ne koristite materijale koji mogu uzrokovati koroziju! Svi naši uređaji su pažljivo prekontrolisani. Tip plina, tlak i označene kategorije se nalaze na naljepnici proizvoda.

Spoj na kapalni plin:

Tlak za spajanje kapalnog plina mora biti 28 ili 30 mbar za propan/butan i 37 mbar za propan. Ali, u svakom slučaju, prekontrolišite naljepnicu, izmjerite pritisak i prekontrolišite parametre instalirane mlaznice, uporedite je sa parametrima koji su propisani proizvođačem. Ukoliko je pritisak niži od 25 mbar ili viši od 37 mbar **NE SMIJE BITI UREĐAJ PRIKLJUČEN NA PLIN!!!**

Spoj na zemni plin:

Tlak za spoj na metan mora biti 18 ili 20 mbar. Obavezno prekontrolišite naljepnicu, izmjerite pritisak i prekontrolišite parametre mlaznice, uporedite ih sa onim koji su propisani proizvođačem. Ukoliko je pritisak niži od 15 mbar ili viši od 22,5 mbar **NE SMIJE BITI UREĐAJ PRIKLJUČEN NA PLIN!!!**

KONTROLA PODEŠAVANJA APARATA NA ODREĐENI TIP PLINA

Prije svega prekontrolišite da li je uređaj uopšte predviđen za taj tip plina koji koristite. Na naljepnici svakog aparata možemo naći za koji tip plina je predviđen.

UPUTE ZA IZMJENU TIP A PLINA

Uređaji su podešeni i kontrolisani na zemnom plinu (vidi naljepnicu aparata). Izmjena na drugi tip plina mora biti provedena kvalifikovanom osobom, mlaznice predviđene za drugi tip plina se nalaze u paketu sa uputstvom.

IZMJENA MLAZNICE GLAVNOG GORIONIKA (sl. 3 i 4)

Tijekom izmjene mlaznice glavnog plamenika treba postupati na slijedeći način: 1) uklonite kontrolne tipke sa prednje ploče 2) demontirajte prednju ploču 3) radi lakšeg pristupa također preporučamo demontažu zadnje ploče (ukoliko je to moguće) 4) Prema slici 2 izvadimo mlaznicu sa glavnog plamenika te zamjenimo mlaznicama prema tablici „**TEHNIČKI PODACI**“ 5) Namjestimo dovod zraka za pripadajući plin prema tablici „**TEHNIČKI PODACI**“.

Plamenik pilot podesimo tako da ključem popustimo sigurnosnu maticu, nakon toga uklonimo mlaznicu plamenika pilot (sl.3, pr.1) s oprugom (sl.3, pr.2,3) te zamjenimo mlaznicom za pripadajući plin prema tablici. Poklopac mlaznice stegnemo pomoću ključa te podesimo režim „ekonomično“, vidi tekst dolje.

Važno:

Prilikom izmjene tipa plina, izmijenite taj podatak na naljepnici aparata. Kontrola rada aparata:

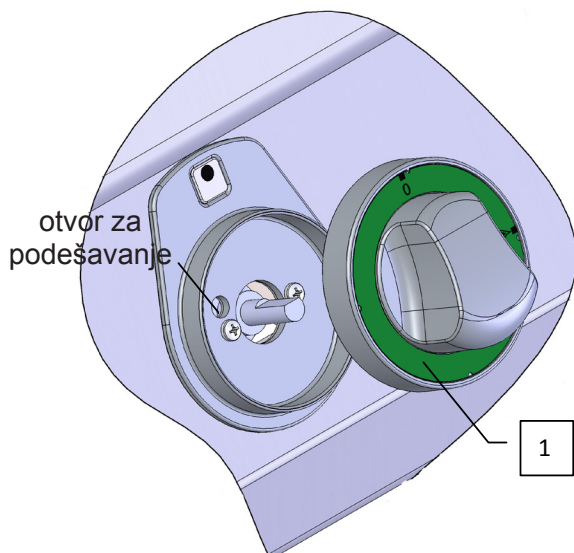
- prekontrolišite da li negdje ne dolazi do ispuštanja plina
- prekontrolišite paljenje i gorenje glavnog gorionika
- prekontrolišite plamen gorionika na min. snazi (štednja)
- isprobajte da li plamen dodiruje termočlanak i da li je plav
- korisniku se preporučuje da prilikom korištenja aparata postupa prema uputama.

PODEŠAVANJE PLAMENA NA SMANJENOJ SNAZI (ŠTEDNJA)

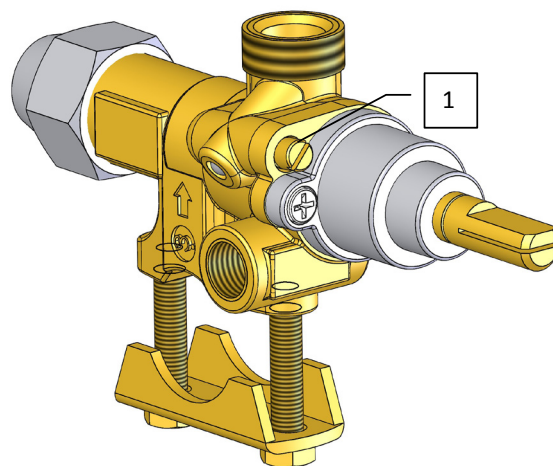
Plamen, kada je podešen na minimalnu jačinu, se podešava šarafom smještenim u tijelu slavine pored grla.

Prilikom podešavanja, uradite sljedeće:

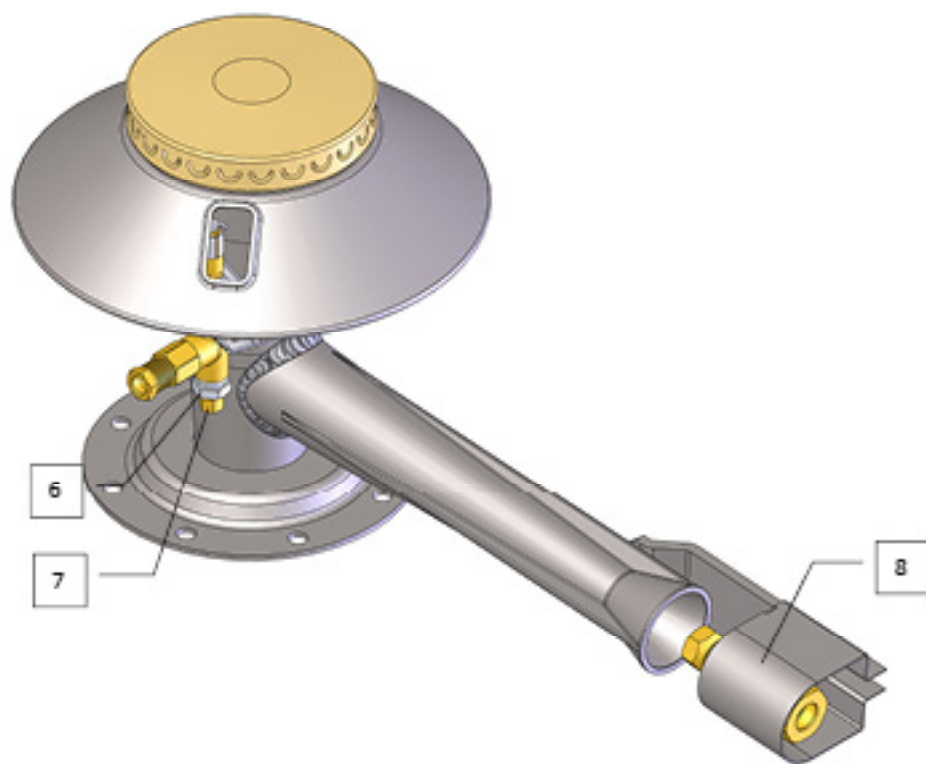
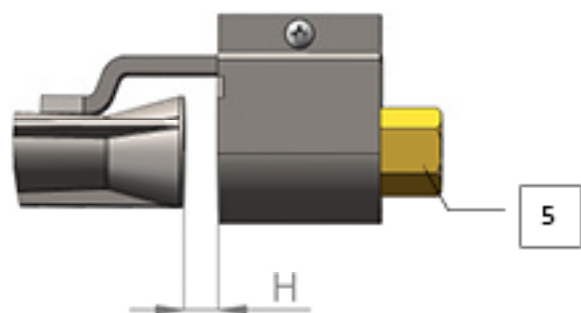
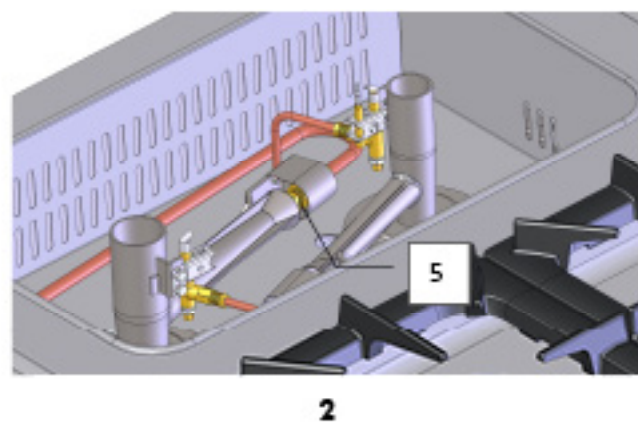
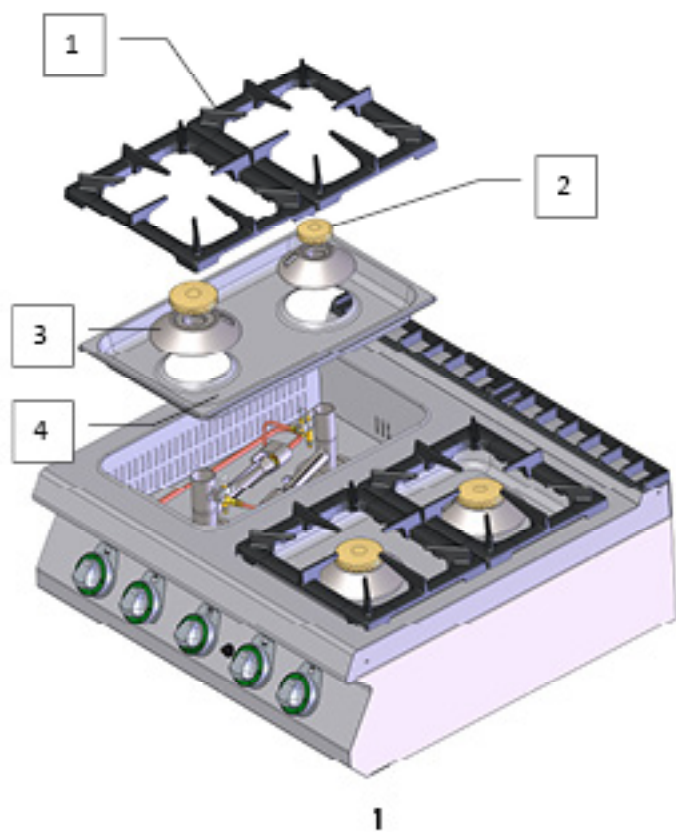
- skinite regulacijsko dugme (povućete ga k sebi)
- pored grla je otvor za podešavanje
- pomoću malog ravnog šarafcigera podesite plamen



sl. 4



sl. 5



UPUTSTVO ZA UPOTREBU

Pozor! Prije nego što počnete uređaj koristiti skinite zaštitne folije, a potom ga operite vodom i deterdžentom, te obišite vlažnom krpom.

Paljenje i regulacija gorionika (sl. 1, 2)

Dajte reg. dugme odgovarajućeg gorionika (A) u položaj „zapalite gorionik“, potom ga pritisnite i pridržite. Kada ga zapalite, pridržite dugme (A) još nekoliko sekundi, dok se ne zagrije termoosigurač, potom dugme pustite. Ukoliko se plamen ugasi, cijeli proces ponovite.

Snižena jačina, štednja (sl. 2)

Okrenite dugme (1) u položaj „štednja“, time ćete smanjiti jačinu i potrošnju plina.

Isključivanje gorionika (sl. 2)

Samo okrenite dugme (1) u položaj “0“

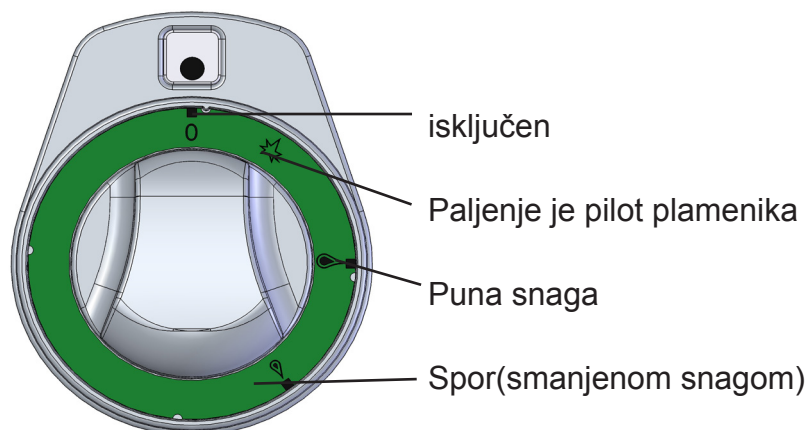
Upute na odvod dima i plinskih isparavanja

Uređaj tipa A (viz naljepnicu sa karakteristikama; t.j. uređaj koji nije predviđen za spajanje sa dimnjakom, niti drugim uređajem koji ima dimnjak) mora biti postavljen u prostoru koji ima dovoljno dobro odvjetravanje tako da ne bi dolazilo do prevelike koncentracije plinskih isparavanja, odnosno dima.

OVLADANJE (SL. 2)



① gumb za upravljanje



KORIŠTENJE KONVEKCIJSKE PEĆNICE

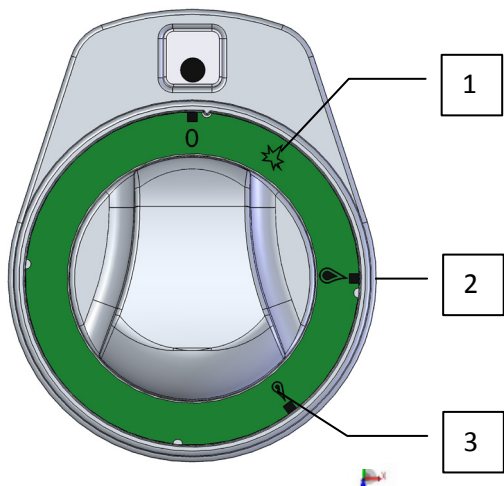
Okretanjem regulacijskog dugmeta udesno, dolazi do paljenja ventilatora. To je signalizirano zelenim svjetlom. Prilikom sljedećeg pomjeranja udesno, zadajemo željenu toplotu. Rad grijača je signaliziran narandžastim svjetlom. U slučaju njegovog gašenja, znamo da smo postigli željenu toplotu. Pećnicu isključujemo tako što dugme damo do pozicije 0.

KORIŠTENJE KLASIČNE PEĆNICE

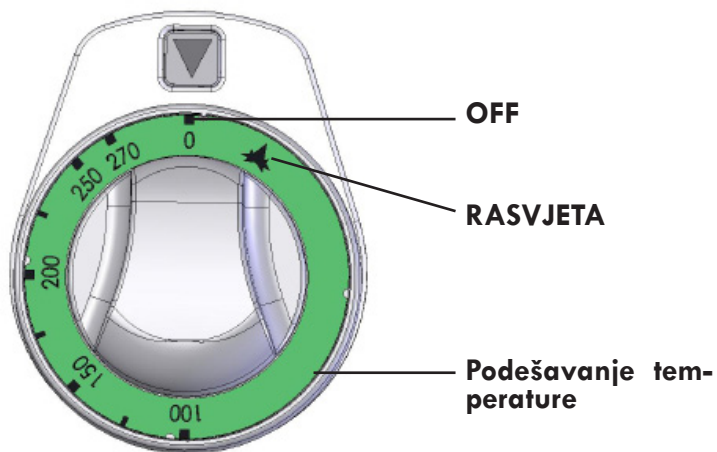
Prekidačem odredimo da li ćemo peći pomoću gornjih i donjih grijača (položaj 1), odnosno donjima (pol. 3) ili gornjima (pol. 2). To je signalizirano zelenim svjetlom. Regulacijskim dugmetom odredimo željenu toplotu. Rad grijača kontroliše narandžasto svjetlo, kada se ugase postigli smo traženu toplotu. Pećnicu isključujemo postavljanjem oba dugmeta u položaj 0.

KONTROLA

reg. dugme odgovarajućeg gorionika

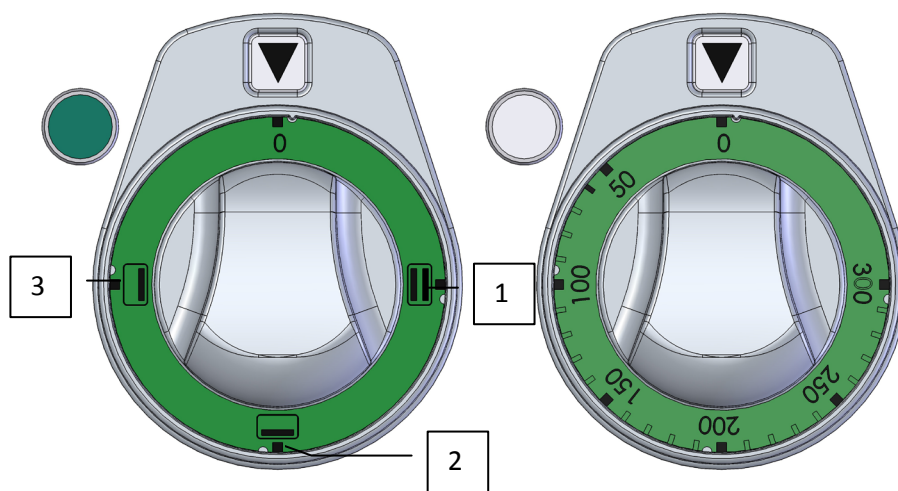


reg. dugme odgovarajućeg PEĆNICI

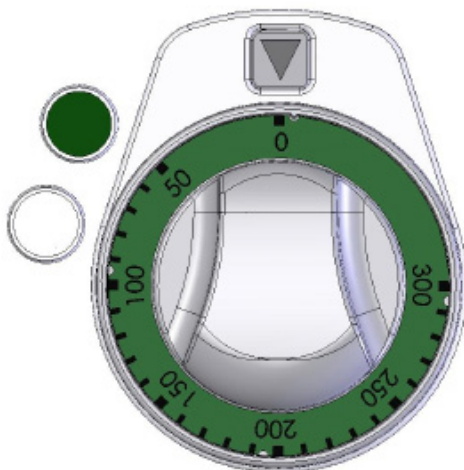


STACIONARNI Isključite pećnicu

Reg. dugme odgovarajućeg STACIONARNI PEĆNICI




Reg. dugme odgovarajućeg FAN PEĆNICI



ČIŠĆENJE I ODRŽAVANJE

Aparat prekontrolišite barem 2 x godišnje autorizovanim serviserom. Bilo kakve oprave ili instalacije mogu biti provedene samo kvalifikovanom osobom koja je za takve zadatke odgovorna.

POZOR!

 Aparat ne smijete čistiti vodom koja je pod pritiskom; npr. tuš, crijevo. Čistite ga svakodnevno. Dnevno održavanje produžava život i upotrebnu vrijednost aparata. Prije početka čišćenja, provjerite da li ste aparat isključili iz struje. Uvijek provjerite glavni dovod. Dijelove od nehrdjajućeg čelika čistite vlažnom krpom i tekućim deterdžentom za sudje, potom operite čistom vodom i detaljno osušite. Nemojte koristiti abrazivna ili korozivna sredstva za čišćenje.

Pozor! Prije nego što počnete uređaj koristiti, obavezno sa njega skinite zaštitne folije i operite ga prema gore navedenim uputama.

Šta učiniti u slučaju kvara?

Isključite aparat iz struje i nazovite autorizovani servis.

UPOZORENJE

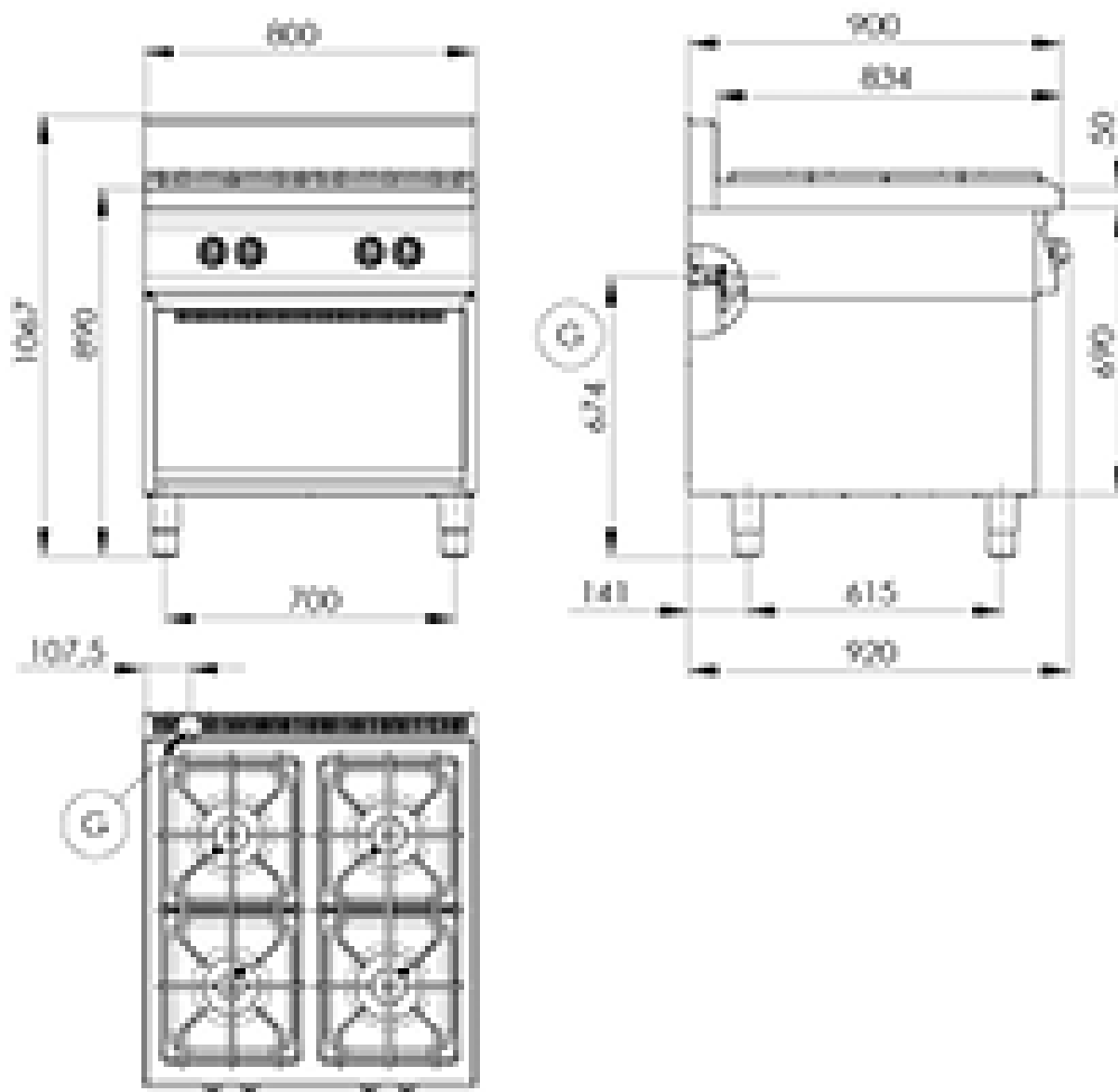
Garancija se ne odnosi na potrošne dijelove (kao što su: gumice, lampice, stakleni i plastični dijelovi...). Garancija se također ne odnosi na uređaj koji nije priključen i instaliran prema uputama, odgovornim serviserom, a prema danim normama. Isto tako, ukoliko su bile napravljene izmjene ili oprave koje nisu predviđene (oprave unutrašnje instalacije) ili ako je uređaj korišten nepoučenim ili neprofesionalnim osobljem, odnosno protivno instrukcijama navedenim u uputstvu za upotrebu. Također, garancija ne vrijedi ukoliko ja aparat oštećen vanjskim ili klimatskim uticajima.

Neophodno je provoditi kontrolu uređaja svakih 6 mjeseci. Tu kontrolu treba da provede autorizovani serviser. U slučaju ne održavanja ove preporuke, proizvođač se ograđuje od bilo kakve odgovornosti za štetu na imovini ili zdravlju.

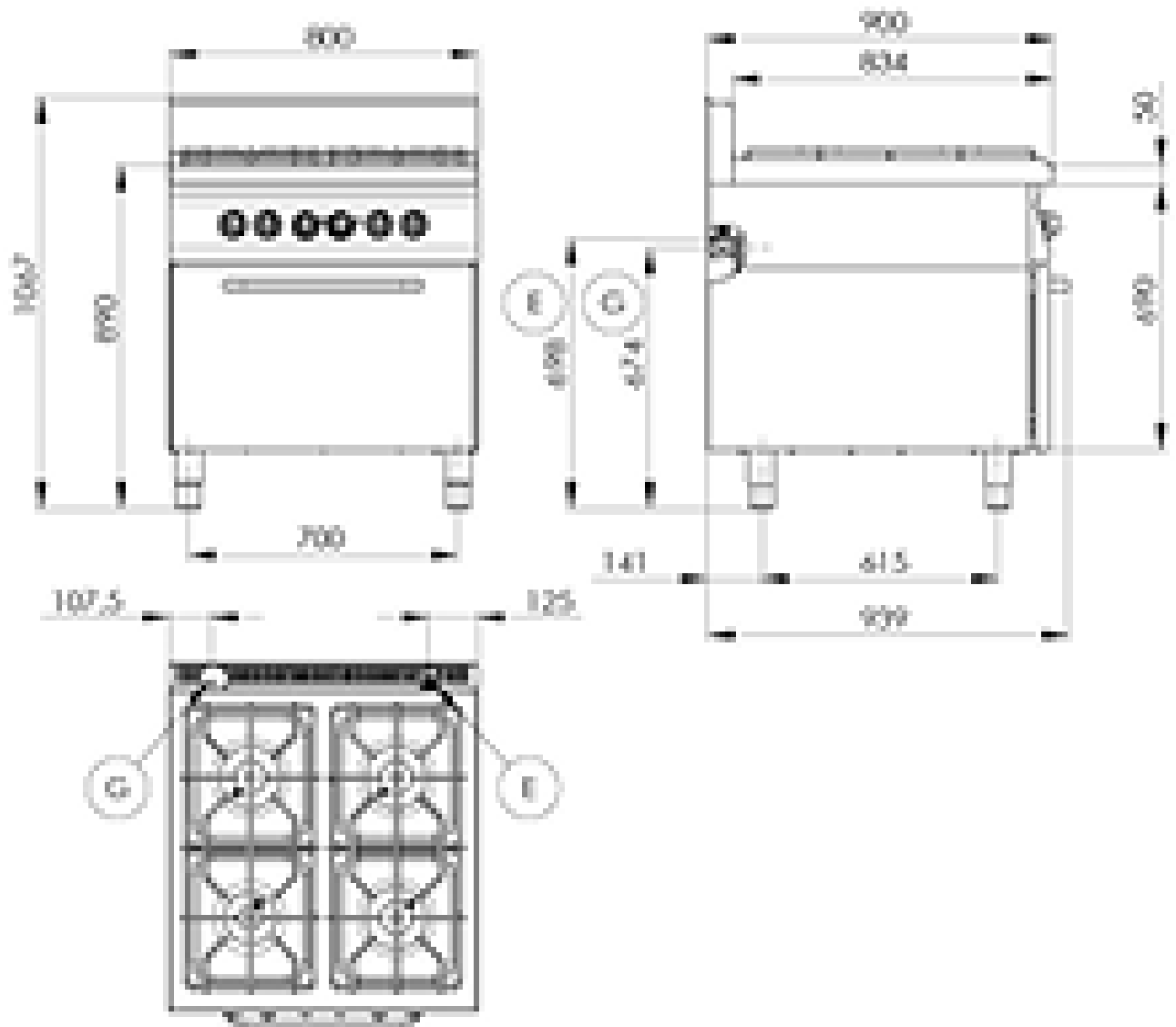
Ambalažu pakovanja i uređaj poslije kraja njegove upotrebne vrijednosti, predajte na otpad, a to prema danim propisima o likvidaciji.

DIMENZIONALNA SLIKA

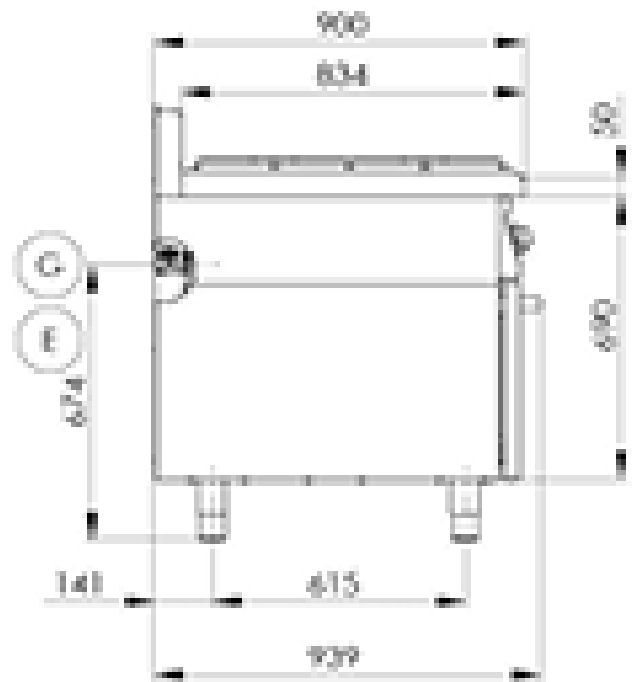
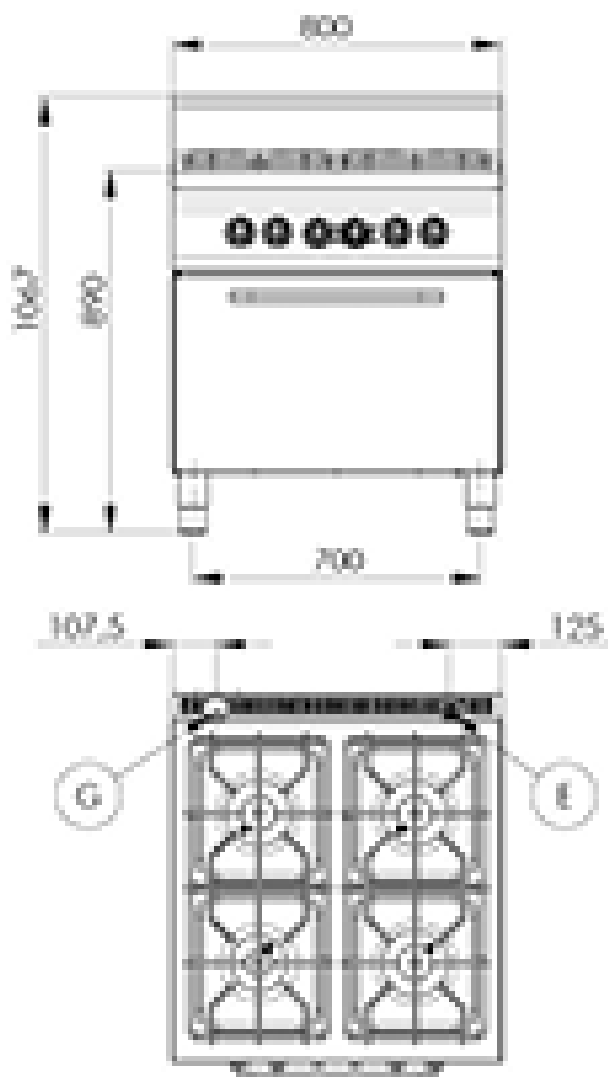
SP 90/80 G
(PC 90/80 G)



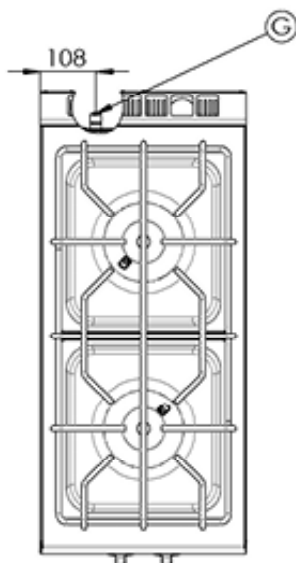
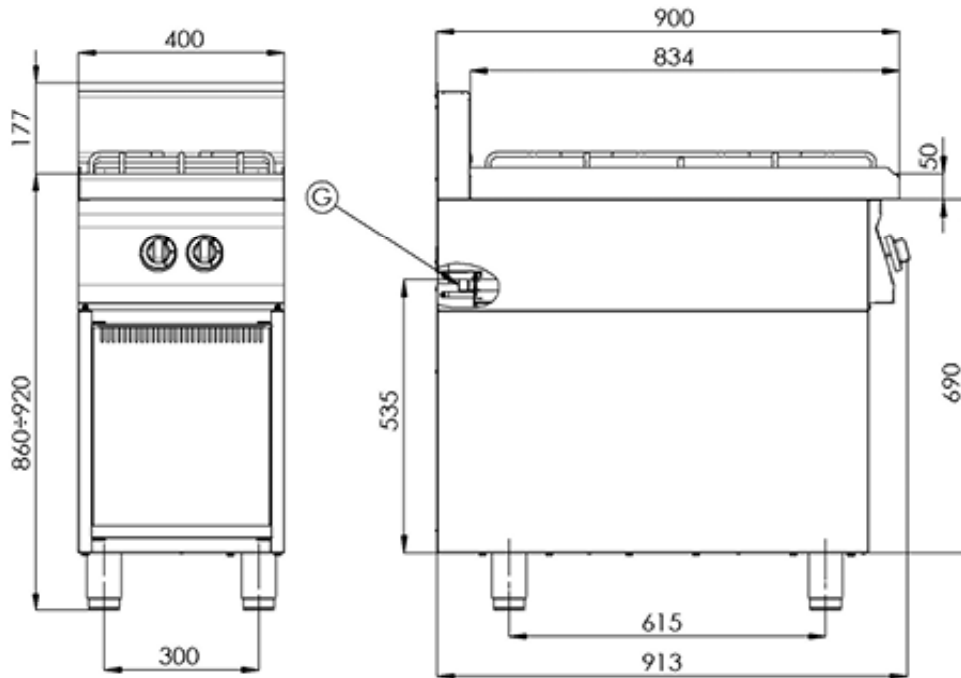
SPT 90/80 - 11 GE
(CF 90/80 - 11 GE)



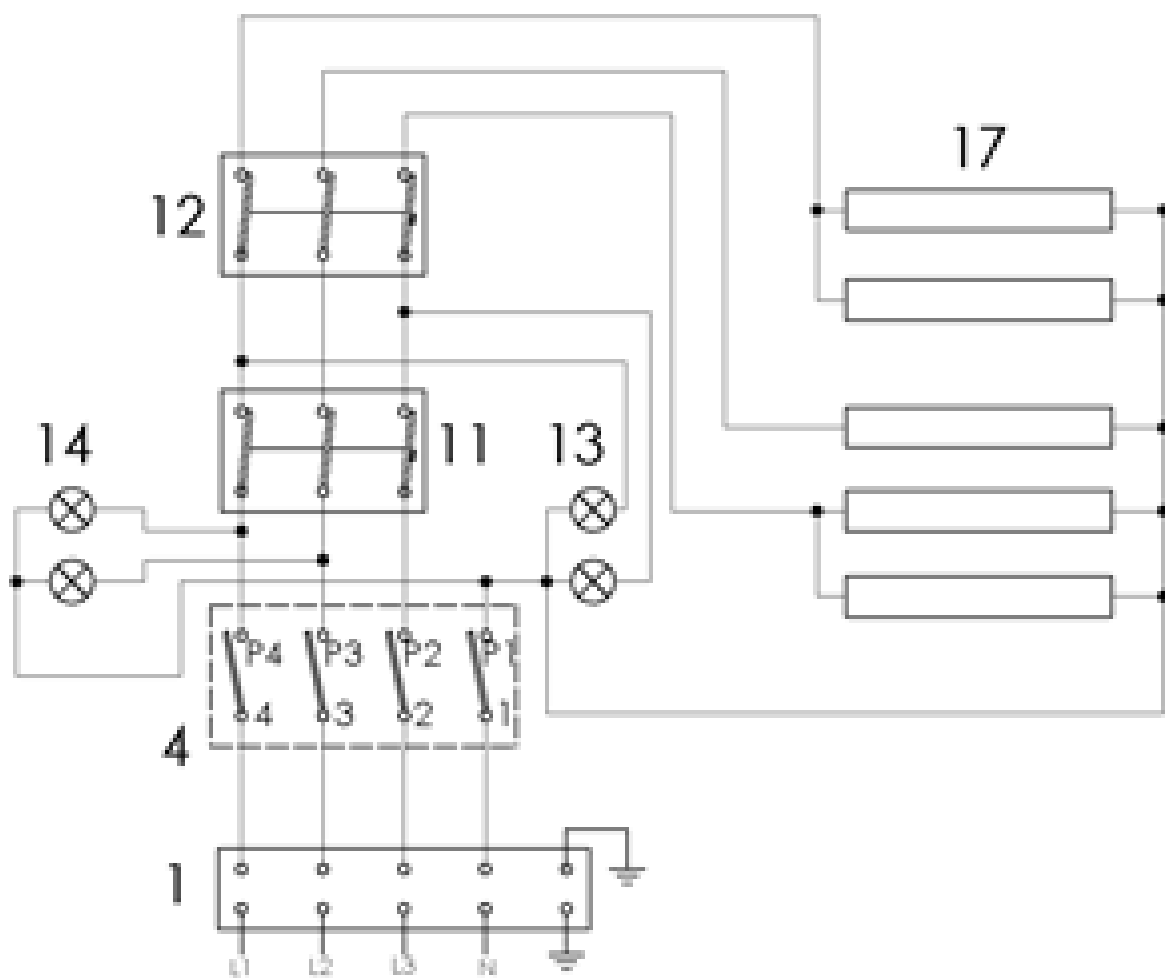
SPT 90/80 - 21 GE
(CF 90/80 - 11 GE)



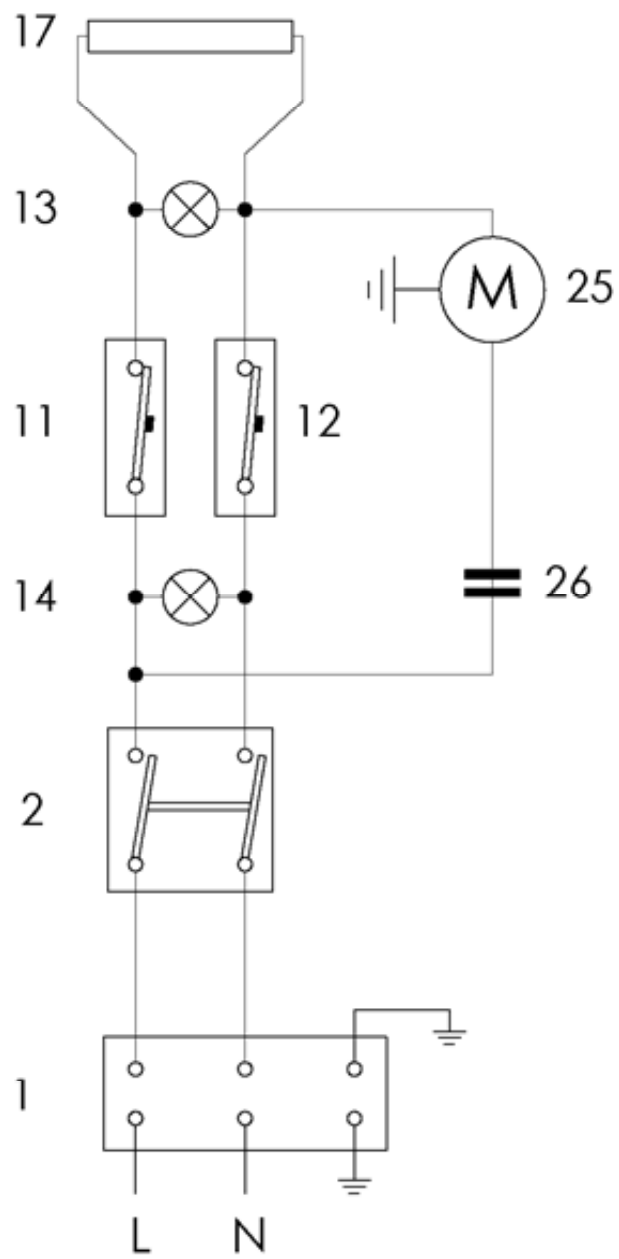
SP 90/40 G
(PC 90/40 G)



STACIONARNI ELEKTRIČNI ŠTEDNJAK



ELEKTRIČNA KONVEKCIJA PEĆNICA



1	TERMINAL
2	SWITCH O / I
3	OSVIJETLJENA SWITCH O / I
4	PREBACITE ROTARY
5	PUSH BUTTON PREKIDAČI
6	PREKIDAČ
7	MICROSWITCH
8	RELEJNE
9	KONTAKTI RELEJA
10	TIMER
11	OPERATIVNI TERMOSTAT
12	SIGURNOSNI TERMOSTAT
13	ORANGE
14	ZELENO SVJETLO
15	DIODA
16	UNUTARNJA RASVJETA
17	GRIJAĆI ELEMENT
18	ZONA ZA KUHANJE
19	TRANSFORMATOR
20	OSIGURAČ
21	REOSTAT
22	TERMOELEKTRIČNA BATERIJA
23	SENZOR
24	MOTOR LIFT
25	MOTOR VENTILATORA
26	POČEVŠI KONDENZATORU
27	SVJEĆICU
28	PLINSKI VENTIL (SIT)
29	SOCKET
30	DIGITALNI TERMOMETAR
31	CONTROL UNIT

DECLARAȚIE DE CONFORMITATE CU NORMELE

Producătorul declară că aparatele sunt conforme cu normele 2009/142/ES, cu legea nr. 22/1997 sb., 22/2003 sb., 258/2000 sb., 38/2001 sb. și cu prevederile relevante ale Guvernului. Instalarea trebuie efectuată în conformitate cu normele actuale. Atenție, producătorul nu-și asumă răspundere în cazuri de defecțiuni directe sau indirecte, datorate instalării sau modificărilor incorecte, întreținerii necorespunzătoare, utilizării defectuoase, sau care sunt rezultatul altor cauze decât cele menționate în punctul despre condițiile vânzării. Acest aparat este destinat exclusiv spre utilizare specializată și trebuie deservit de către personal calificat. Piesele, care au fost sigilate de către producător sau un lucrător împuternicit în acest sens nu pot fi remontate

DATE TEHNICE

Menționăm faptul că echipamentul cu caracteristicile tehnice descrise în prezentul manual nu se încadrează în categoria echipamentelor pentru uz casnic, echipamentul fiind destinat în exclusivitate uzului comercial, de către personal calificat.

Plăcuța cu datele tehnice este amplasată pe partea din spate a aparatului. Înainte de a instala aparatul studiați cu atenție informația de pe aceasta.

Typ	puterea cuptorului GN 1/1 (kW)	puterea cuptorului GN 2/1 (kW)	puterea cuptorului cu gaz (kW)	tensiunea de alimentare	leșirea arzătorului (kW)	Dimensiuni (mm)
SPT 90/80 - 11 GE	3,1kW	-	-	400/3N/50	1x3,5 + 1x5 + 2x8,5	80x90x90 v
SPT 90/80 - 21 GE	-	6,0kW/*7 kW	-	400/3N/50	1x3,5 + 1x5 + 2x8,5	80x90x90 v
SP 90/80 G	-	-	-	-	1x3,5 + 1x5 + 2x8,5	80x90x90 v
SP 90/40 G	-	-	-	-	2x8,5	40x90x90 v
SP 90/120 G	-	-	-	-	1x3,5 + 1x5 + 4x8,5	120x90x90 v
SPT 90/120-21 G	-	-	7,3 kW	-	1x3,5 + 1x5 + 4x8,5	120x90x90 v
SPT 90/120-21 GE	-	6,3 kW	-	400/3N/50	1x3,5 + 1x5 + 4x8,5	120x90x90 v
SPT 90/80-21 G	-	-	7,3 kW	-	1x3,5 + 1x5 + 2x8,5	80x90x90 v

VERIFICAREA AMBALAJULUI ȘI APARATULUI

Aparatul iese din depozitele noastre ambalat în mod regulamente, cu indicarea simbolurilor și însemnelor corespunzătoare. Ghidul de deservire corespunzător se găsește în ambalaj. Dacă ambalajul prezintă semne de manevrare necorespunzătoare sau urme de deteriorare, este necesar de atenționat transportatorul și de a face un proces verbal de deteriorare.

Avertismente importante

-Produsul este destinat utilizării numai în interior.

Nu folosiți niciodată dispozitivul cu sursa sau cablul de alimentare deteriorate sau dacă nu funcționează corect, a căzut pe jos și s-a deteriorat sau dacă a căzut în apă. În astfel de cazuri duceți dispozitivul la un service specializat pentru a se verifica siguranța și funcționarea corectă

- Acest ghid trebuie citit cu atenție pentru că conține informații importante despre securitate, instalare și utilizare
- Următoarele recomandări se aplică acestui produs
- Produsul este conform cu normele actuale
- Acest ghid trebuie păstrat pentru utilizarea ulterioară
- Împiedicați manipularea aparatului de către copii
- La vânzare sau relocare asigurați-vă că deservirea aparatului va fi efectuată în conformitate cu instrucțiunile din ghidul anexat
- Produsul poate fi deservit doar de către personalul instruit
- Poate fi utilizat doar pentru prepararea produselor alimentare
- Să nu fie lăsat fără supraveghere
- Se recomandă o inspectare specializată minim 1 data pe an
- În cazul unei reparații piesele trebuie înlocuite doar cu piese de schimb originale
- A nu se curăța produsul cu jet direct de apă sau apă sub presiune
- În caz de defectare sau disfuncție a aparatului se cere de a deconecta orice alimentare (apă, electricitate, gaz) și de apelat la un servis autorizat
- Producătorul nu-și asumă răspundere în cazul defecțiunilor datorate instalării incorecte, nerespectării avertismentelor susmenționate, utilizării în alte scopuri, etc.

INSTALAREA

Instrucțiuni tehnice pentru instalare și reglare

Destinat DOAR utilizării de către tehnicieni specializați.

Instrucțiunile următoare sunt destinate tehnicianului calificat pentru reparație: Toate operațiunile trebuie să fie efectuate cât mai atent și în conformitate cu normele actuale!!!

Important:

Orice activitate de reglare a aparatului trebuie efectuată după deconectarea acestuia de la rețeaua electrică. Dacă e nevoie de lăsat aparatul sub tensiune, se cere să fie mai atenți!

AMPLASAREA

Pentru asigurarea funcționalității aparatului, spațiul (bucătăria) unde va fi amplasat acesta trebuie să fie bine aerisit (referitor la aceasta: tehnicianul să urmeze normele actuale ale CȘN)

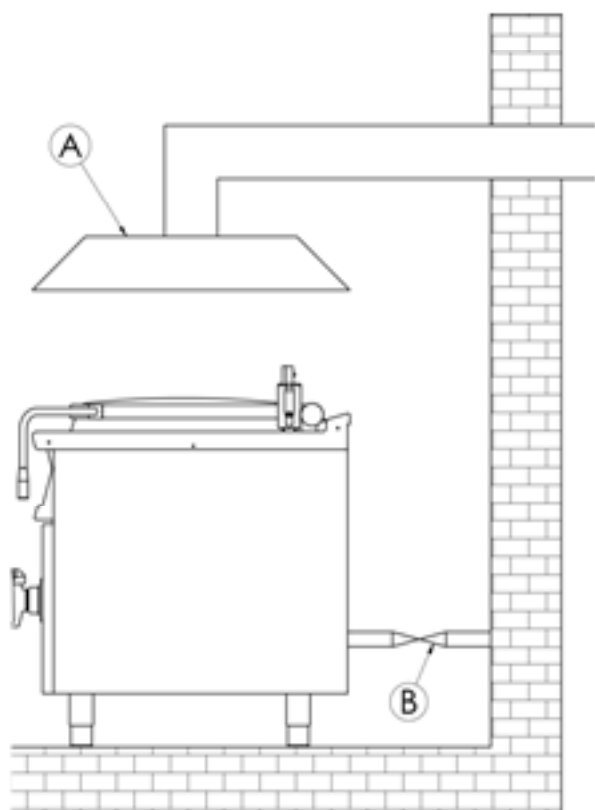
Dacă aparatul e instalat în așa fel încât are contact cu suprafața mobilierului, acestea trebuie să fie rezistente la temperaturi de 60°C. Instalarea, reglarea și darea în exploatare trebuie să fie efectuate de către o persoană calificată, care este autorizată în acest sens și în conformitate cu normele în vigoare.

Despachetați aparatul și verificați dacă nu a fost avariat în timpul transportării. Amplasați aparatul pe o suprafață orizontală (deviere maximă până la 2°). Amplasați aparatul sub hotă ca să fie eliminat mirosul și aburii.

Aparatul poate fi instalat separat sau în serie cu alte produse din gama noastră. Este necesar de a păstra o distanță minimă de 10cm de alte obiecte și de a evita contactul cu obiectele inflamabile. În astfel de cazuri se cere izolarea termică a pieselor inflamabile.

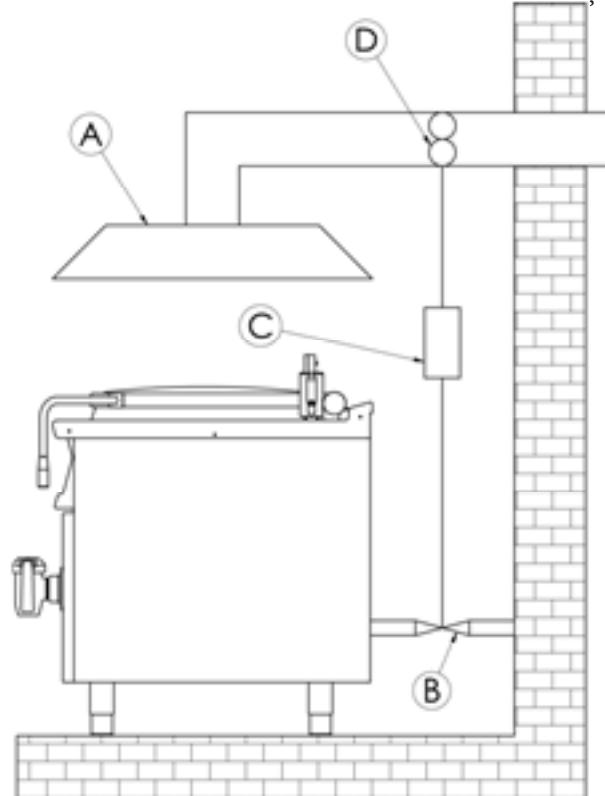
EVACUAREA GAZELOR DE ARDERE

DESUFUMARE NATURALĂ



Racordul nișei este într-un corp de coș separat (A). Evacuarea gazelor de ardere este asigurată de tiraj natural al coșului.

DESUFUMARE FORȚATĂ



Racordul nișei este prevăzut fără desfumare naturală. Evacuarea gazelor de ardere este asigurată cu ajutorul ventilatorului (D), (DESUFUMARE FORȚATĂ). În acest caz este strict necesar a se asigura interconectarea cu admisiunea gazelor (B) pentru oprirea admisiunii gazelor în caz de întrerupere de alimentare.

CONTROLUL RANDAMENTULUI TERMIC

Consumatoare electrice trebuie să fie controlate pentru a se verifica randamentul lor termic:

Randamentul termic este însemnat pe plăcuța matricolă sau îl puteți regăsi în prezentul manual de instrucțiuni. Întâi de toate, trebuie verificat dacă consumătorul electric este fabricat pentru același tip de gaz care va fi utilizat și prin urmare corespunde cu marcajul de pe plăcuța privind tipul de gaz care va fi utilizat. Pentru transformarea cazanului pentru un alt tip de gaz, trebuie controlat dacă corespunde tipul de gaz marcat cu acela care este recomandat în acest manual.

Pentru transformarea cazanului pentru un alt tip de gaz, trebuie controlat dacă corespunde tipul de gaz marcat cu acela care este recomandat în acest manual. Presiunea se măsoară cu manometru de o necesară sensibilitate. Manometrul se conectează pe locul aferent, de aceea trebuie deșurubat șurubul cu închidere ermetică și conectat manometrul. După încheierea măsurării trebuie înșurubat șurubul înapoi și verificată etanșeitatea.

MĂSURI DE SECURITATE DIN PUNCT DE VEDERE AL PROTECȚIEI ÎMPOTRIVA INCENDIILOR CONFORM CSN EN 061008 ȚL. 21:

- Deservirea aparatului trebuie să fie asigurată de către persoane mature
 - Aparatul poate fi utilizat fără pericol în condiții obișnuite conform EN 332000-1
 - Aparatul trebuie amplasat în așa fel încât să fie fixat pe un suport neinflamabil
- Se interzice amplasarea obiectelor inflamabile pe aparat, precum și în apropierea acestuia la distanțe mai mici decât cele recomandate (distanța minimă recomandată este de 10cm)
- Distanțele sigure față de obiectele inflamabile și informațiile despre gradul de combustibilitate a materialelor de construcție sunt indicate în tabel

Tabel:

Gradul de combustibilitate a materialelor de construcție (EN 730823) după substanțe și produse

A neinflamabil	granit, var, beton, cărămidă, gresie ceramică, tencuiala
B greu inflamabile	placă fibrolemnoasă, fibre minerale
C1 dificil inflamabil	Lemn, foioase, hârtie întărită, placaj
C2 mediu inflamabil	plăci aglomerate din aşchii de lemn, plăci din plută, cauciuc, pardoseala din PVC
C3 ușor inflamabil	plăci fibrolemnoase, polistiren, poliuretan, PVC

Aparatul trebuie instalat într-un mod sigur. În timpul instalării trebuie respectate prevederile de siguranță, proiectare și igienă în conformitate cu:

- EN 06 1008 securitatea de incendiu a dispozitivelor locale și surselor de căldură
- EN 33 2000 mediul înconjurător pentru aparate electrice (33 2000-4-42; 33 2000-4-482)

ȚEAVA PENTRU GAZ:

Aparatul poate fi alimentat cu gaz doar prin țevă din oțel zincat, cupru sau țevă flexibilă din oțel și în conformitate cu normele în vigoare. Fiecare aparat trebuie dotat cu un robinet pentru conducta de gaz, ca să fie posibilă oprirea imediată a alimentării cu gaz. După instalarea dispozitivului trebuie verificate eventualele scurgeri de gaze. Să nu verificați scurgerile cu o sursă deschisă de foc, folosiți materiale ce nu generează coroziune. Puteți folosi, de exemplu, o soluție de apă cu săpun. Aparatele au fost verificate de către producător, detalii despre tipul gazului, presiune și tipul aparatului le veți găsi pe plăcuța cu caracteristici.

Racordare la gaz lichid:

Presiunea pentru racordarea la sursă de gaz lichid trebuie să fie de 28 sau 30 mbar pentru propan butan și de 37 mbar pentru propan. Trebuie verificată plăcuța matricolă, măsurată presiunea și controlați parametrii duzei instalate cu parametrii duzei solicitați conform cerințelor fabricantului. Dacă presiunea este mai mică decât 25 mbar sau mai mare decât 37 mbar, CONSUMĂTORUL NU POATE FI RACORDAT

Racordare la gaz metan:

Presiunea pentru racordarea la sursă de metan trebuie să fie de 18 sau 20 mbar. Trebuie controlată plăcuța matricolă măsurată presiune și controlați parametrii duzei instalate cu parametrii solicitați ai duzei conform cerințelor fabricantului/ Dacă presiunea este mai mică decât 15 mbar sau mai mare decât 22,5 mbar CONSUMĂTORUL NU POATE FI RACORDAT

INSTRUCȚIUNI PENTRU ADAPTAREA LA ALT TIP DE GAZ:

Înlocuirea duzei arzătorului principal

Aparatele noastre sunt certificate și reglementate pentru gaz natural (a se vedea placa tip). Conversia sau adaptarea la un alt tip de gaz trebuie efectuată numai de către un tehnician autorizat. Duzele pentru diferite tipuri de gaz se află într-o pungă ambalată cu aragaz și sunt marcate în sutimi de mm (tabelul 2).

Înlocuirea duzelor și reglarea arzătorului pilot (Fig. 1, 2, 3):

Procedați după cum urmează: Scoateți grătarul, pulverizatorul de flacără, corpul arzătorului și recipientul gastro (poz. 1, 2, 3, 4, fig. 1). Deșurubați duza (poz. 5, fig. 2, 3) cu o cheie de 13 mm și înlocuiți-o cu cea necesară în funcție de tipul de gaz (fila 2). Instalați în ordine inversă. Asigurați-vă că piesele individuale se potrivesc bine. Controlul aerului (fig. 3, pct. 8) este întotdeauna complet deschis.

Reglați arzătorul pilot prin slăbirea piuliței de blocare (poziția 6, fig. 3) cu o cheie de 11 mm, apoi slăbiți sau strângeți duza (poziția 7, fig. 3) cu o cheie de 7 mm și reglați flacăra la dimensiunea dorită.

Important:

După ce aparatul a fost reglat la un alt tip de gaz, schimbarea gazului trebuie marcată etichetați aparatul și efectuați următorii pași:

- Verificați dacă există scurgeri de gaz
- Verificați aprinderea și flacăra arzătorului principal
- Verificați flacăra arzătorului principal pentru min. performanța „SPORO“

Reglarea flăcării la puterea redusă „SPORO“

Când reglați robinetul la puterea redusă „SPORO”, reglați șurubul din corpul robinetului (poz. 1, fig. 5) de lângă arborele de la robinet.

Pentru a ajusta, procedați după cum urmează:

- Scoateți butonul de comandă (poz. 1, fig. 4) trăgându-l spre tine
- Există o gaură de reglare lângă arborele de la robinet, folosiți o șurubelniță cu lamă plată pentru a regla flacăra

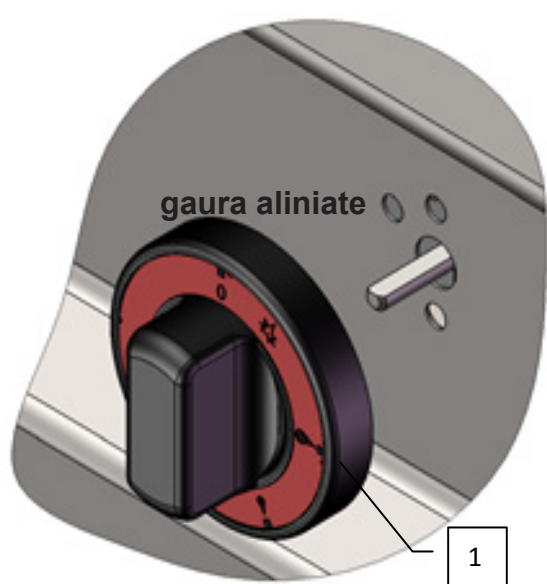


Fig. 4

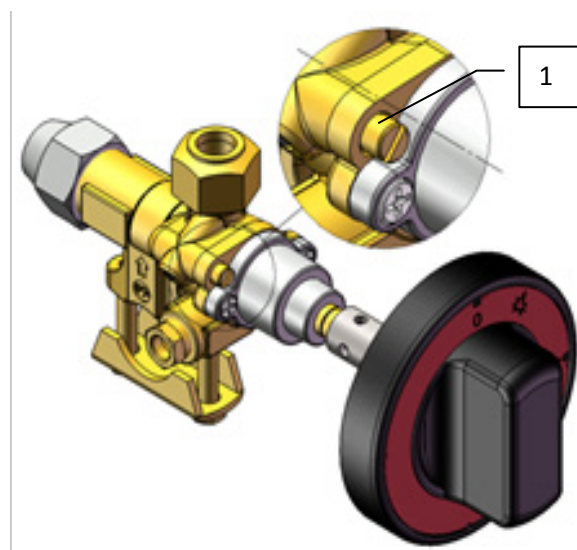
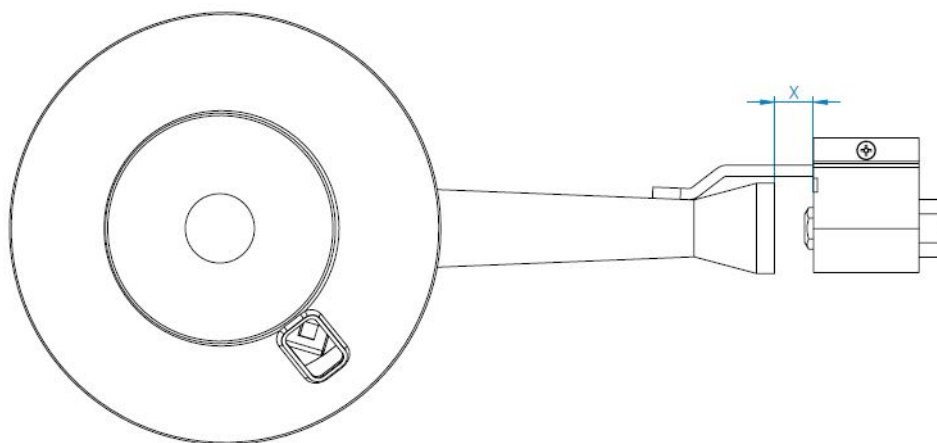
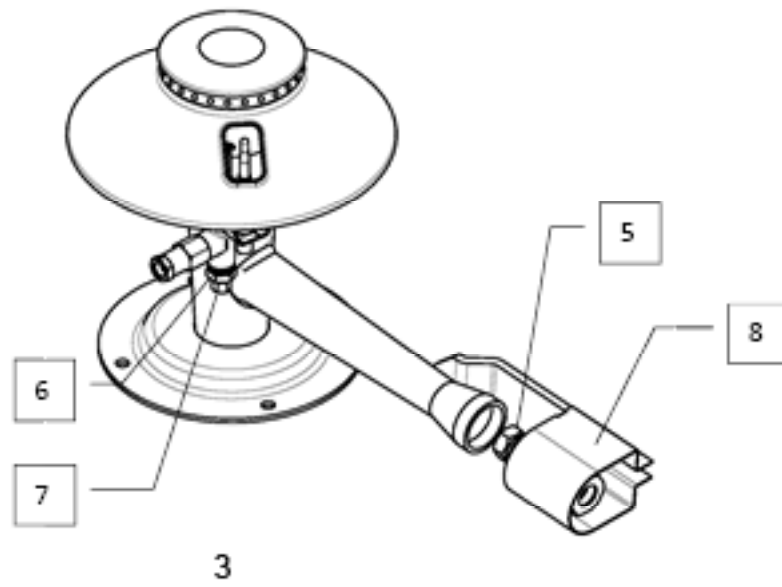
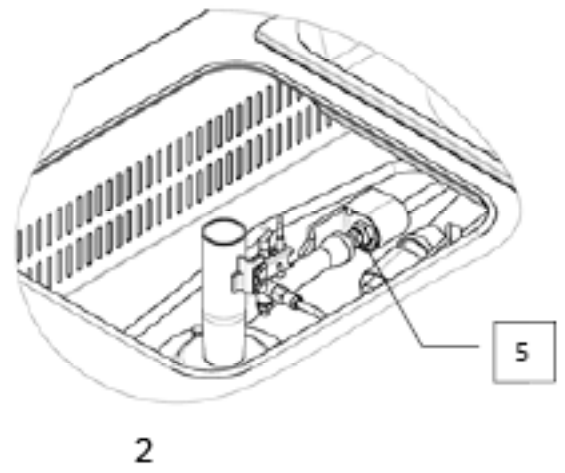
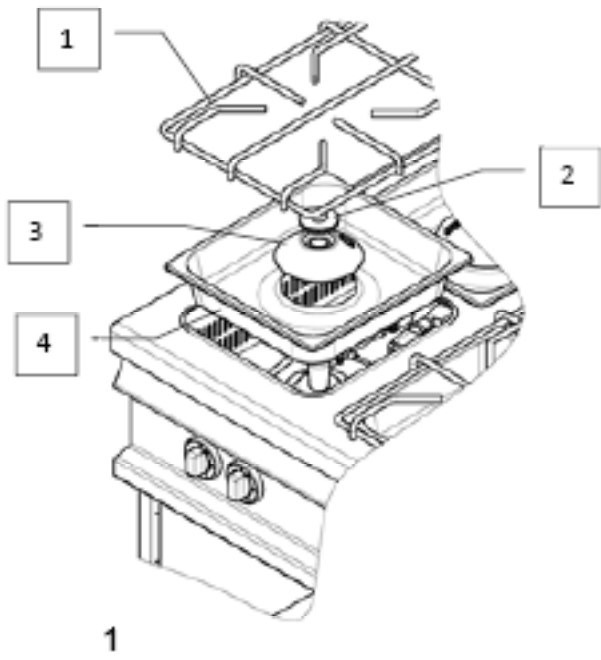


Fig. 5



Aparatele noastre sunt certificate și reglementate pentru gazele naturale (vezi plăcuța de identificare). Transformarea sau adaptarea la un alt tip de gaz trebuie efectuată numai de un tehnician autorizat. Duze pentru diferite tipuri de gaz într-o pungă ambalate cu aragaz și sunt indicate în sutimi de mm.

Și ajustarea duza a cuptorului cu gaz arzător (vezi figura de mai jos.):

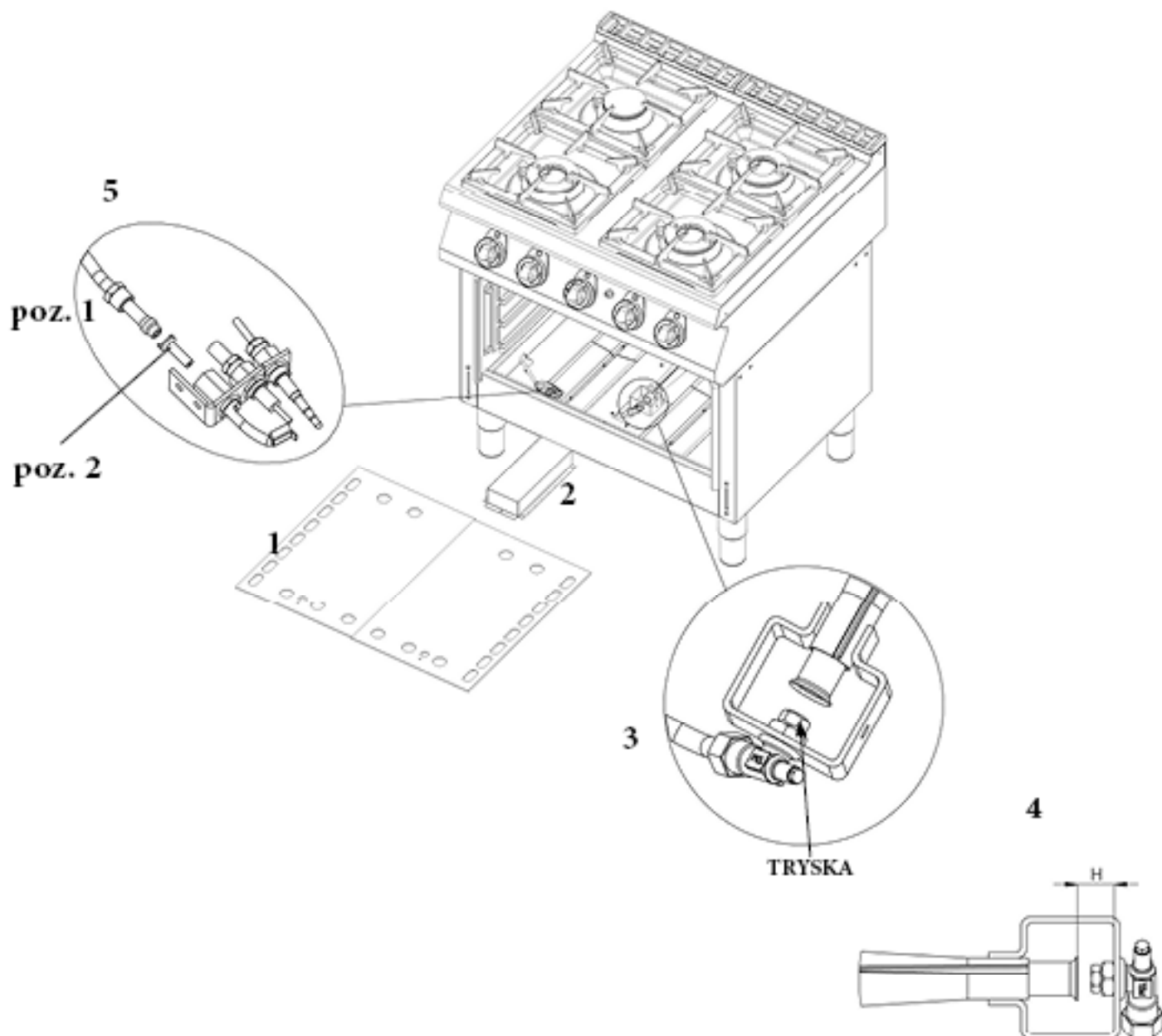
Când înlocuiți duza arzătorului cuptorului, procedați după cum urmează:

- 1) Deschideți ușa cuptorului și scoateți capacul cuptorului (podea falsă a camerei).
- 2) Scoateți capacul alimentatorului de arzător (Figura 2)
- 3) În figura 3, se deșurubează duza din arzătorul principal și înlocuiți duzele conform tabelului „DATE TEHNICE ALE ARZATORILOR“
- 4) Setați sursa de aer pentru gazul relevant (fig.4) conform tabelului „DATE TEHNICE DE ARDERE“

SCHIMBAREA Jeturile și ajustând PILOT ARZĂTOR CUPTOR GAZ

Când înlocuiți duza arzătorului cuptorului, procedați după cum urmează:

- 1) Deșurubați piulița conform figurii 5, elementul 1.
- 2) Scoateți conducta de cupru din arzătorul pilotului.
- 3) Conform Fig. 2 deșurubați duza de la arzătorul principal și înlocuiți-o cu duzele conform tabelului „DATE TEHNICE ALE ARZATORILOR“.
- 4) Înlocuiți tubul de cupru din tubul pilot și strângeți-l cu piulița așa cum se arată în Fig. în primul rând



GHID DE UTILIZARE

Atenție!

Înainte de a utiliza dispozitivul, acesta trebuie bine spălat cu un material umezit în apă cu soluție de săpun. Apoi uscați bine. Nu lăsați dispozitivul în funcțiune fără supraveghere.

Atenție! În cazul în care arzătorul va fumega după prima punere în funcțiune, este necesar a fi lăsat să funcționeze o oră în gol, până nu dispăre mirosul.

Aprinderea aragazului principal și reglarea temperaturii

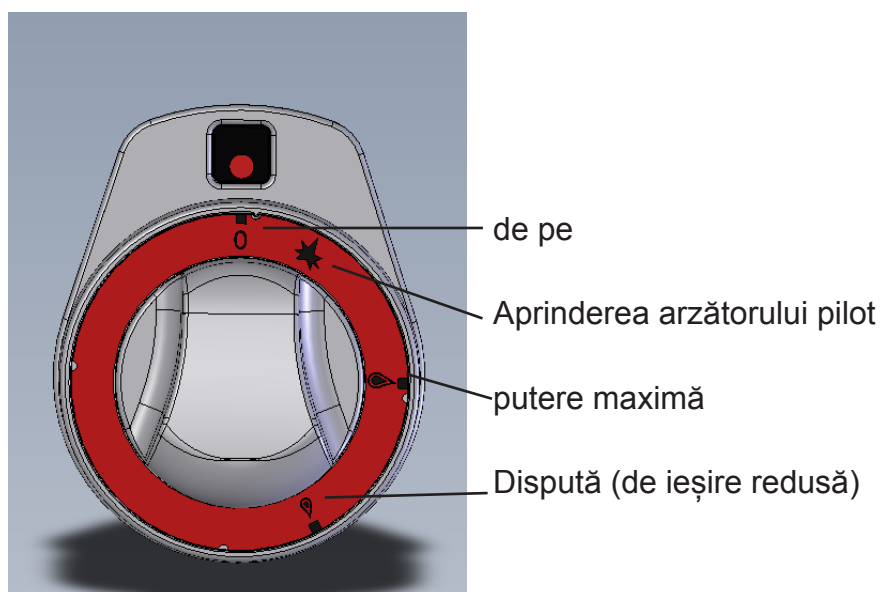
Rotiți mânerul de reglare a robinetului (A) până în poziția “aprinderea aragazului principal”, folosind meciuri sau brichete de pe arzător, până când se aprinde aragazul principal. După aprindere mai țineți apăsat butonul (A) încă câteva secunde, până când se încălzește termosiguranța, apoi eliberați butonul. Dacă flacăra se va stinge, repetați întregul procedeu.

- capacitatea redusă economă

Prin rotirea mânerului (A) în poziția “econom” reglați arderea arzătorului în regim econom (capacitate redusă)

- oprirea întregului dispozitiv

Este suficient de rotit mânerul (A) până în poziția “0”



Controlul cuptorului staționar

Cu comutatorul cuptorului staționar, alegem să coacem corpurile superioare și inferioare (poziția 1) sau chiar mai jos (poziția 3) sau superioară (poziția 2). Acest lucru este indicat de LED-urile verzi. Utilizați butonul de comandă al cuptorului staționar pentru a seta temperatura dorită. Încălzirea radiatoarelor este indicată de lumini albe. După ce au ieșit, cuptorul este încălzit până la temperatura dorită. Opriți cuptorul prin rotirea ambelor butoane în poziția „0“.

Controlul cuptorului cu gaz

Arderea și reglarea arzătorului cuptorului:

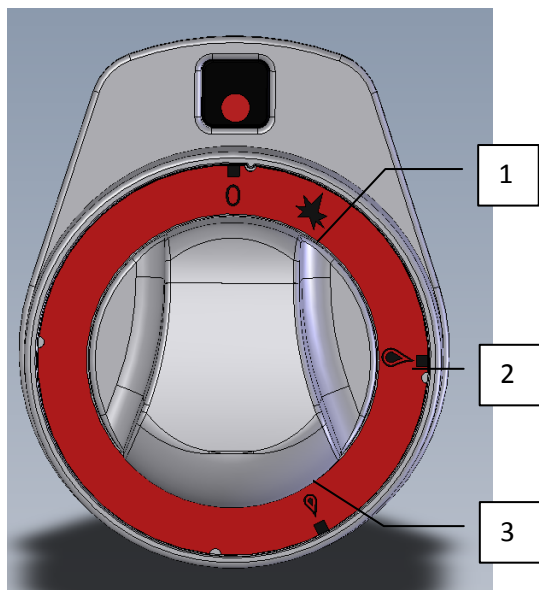
Când deschideți cuptorul, deschideți ușa cuptorului, rotiți butonul de aprindere, țineți apăsat butonul, apoi apăsați butonul de aprindere piezozasă în mod repetat până când gazul se aprinde. Prin deschiderea din partea inferioară a cuptorului este posibilă verificarea flăcării, eliberați butonul după aproximativ 10 secunde. Dacă flacăra pilot se stinge, trebuie să repetați întreaga operațiune. Când butonul este rotit în poziția de aprindere a flăcării, arzătorul principal se stinge și flacăra pilot rămâne în foc. Pentru a activa arzătorul principal, rotiți butonul spre stânga și setați temperatura dorită. Dacă vrem să oprim complet cuptorul, vom întoarce roata de comandă în poziția „0“.

Controlul cuptorului cu aer cald

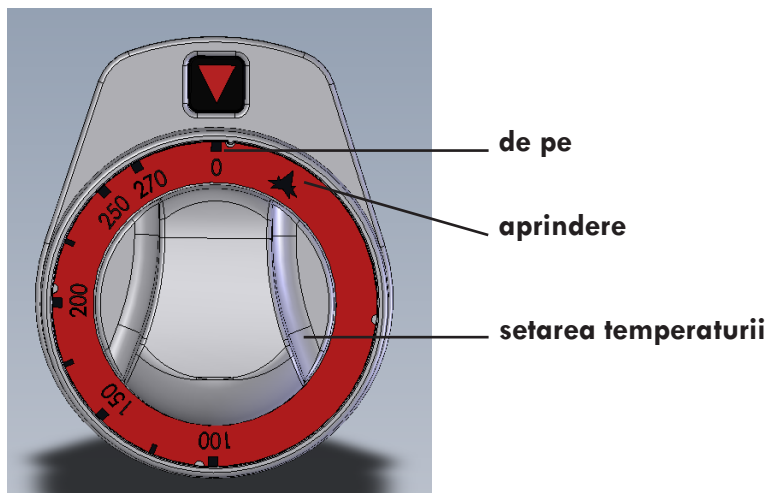
Rotiți butonul de comandă în sensul acelor de ceasornic pentru a porni ventilatorul. Acest lucru este indicat de o lumină verde. Continuați spre dreapta, setați temperatura dorită. Elementul de încălzire este semnalat de o lumină portocalie. După ce se stinge, cuptorul este încălzit până la temperatura dorită. Opriți cuptorul rotind butonul la stânga în poziția „0“.

CONTROALE

butonul de comandă a tortei

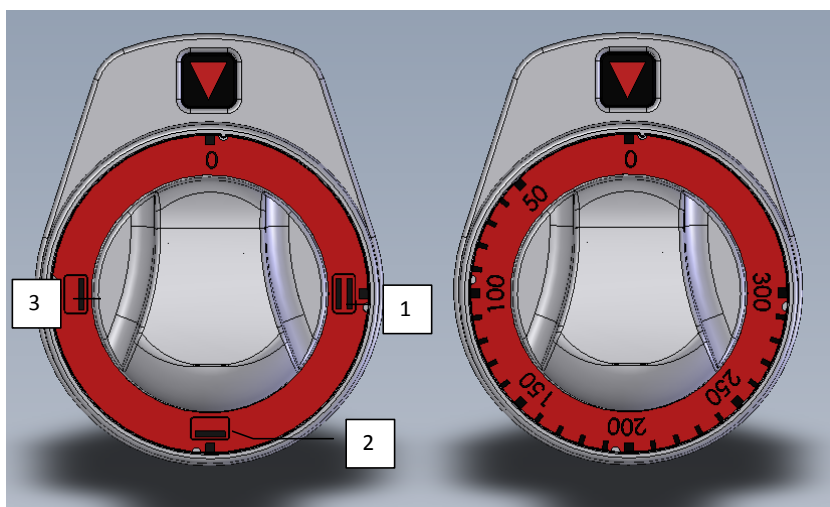


Buton de reglare pentru cuptorul cu gaz

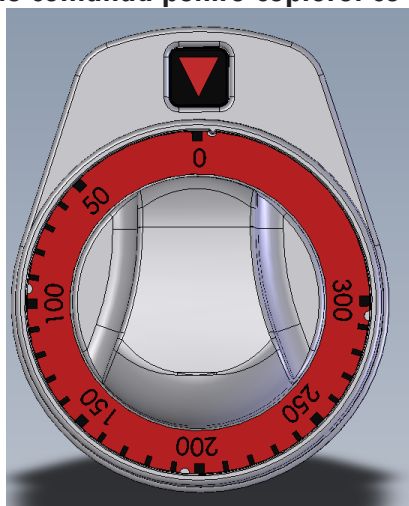


cuptorul staionar al cuptorului

butonul de control al temperaturii pentru cuptorul staionar



Buton de comandă pentru cuptorul cu aer cald



CURĂȚARE ȘI ÎNTREȚINERE

Este recomandat de a inspecta aparatul, cel puțin o dată pe an, de către un servis specializat. Orice intervenții asupra aparatului pot fi operate doar de către o persoană calificată, autorizată în acest sens.

ATENȚIE!!!

Este interzisă curățarea aparatului sub jetul de apă sau apă sub presiune. Curățați aparatul zilnic. Întreținerea zilnică prelungește eficiența și funcționalitatea aparatului. Înainte de a curăța aparatul, asigurați-vă că acesta este deconectat de la rețeaua electrică. Întotdeauna să opriți alimentarea principală a aparatului. Părțile de inox curățați-le cu o cârpă umedă cu soluție de săpun și fără particule tari, iar uscați-le prin ștergere. Nu folosiți soluții de curățat abrazive sau corozive. Înlăturați toate resturile de mâncare de pe suprafața de lucru, posibil și cu ajutorul unui șpaclu.

Suprafața interioară a tigăii curățăm cu șterăptor din plastic sau cu burete și detergenți curenți (a nu se utiliza obiecte metalice). Stratul subțire de culoare mai închisă de pe fundul tigăii nu îndepărtați fără rost, căci formează un strat de protecție a suprafeței. După spălarea, fundul tigăii din nou îngrijiiți cu ulei de masă. După curățarea cuvei, repuneți toate în poziția inițială. Capacul lăsați deschis, încât aerul să poată circula în vasul

-Dacă aparatul nu va fi folosit pentru o perioadă lungă de timp:

-Neapărat închideți admisiunea apei și a gazelor

-Dacă aparatul nu va fi folosit pentru o perioadă lungă de timp, curățați cuva și conservați baza cu ulei

Procedeu în caz de disfuncție a aparatului

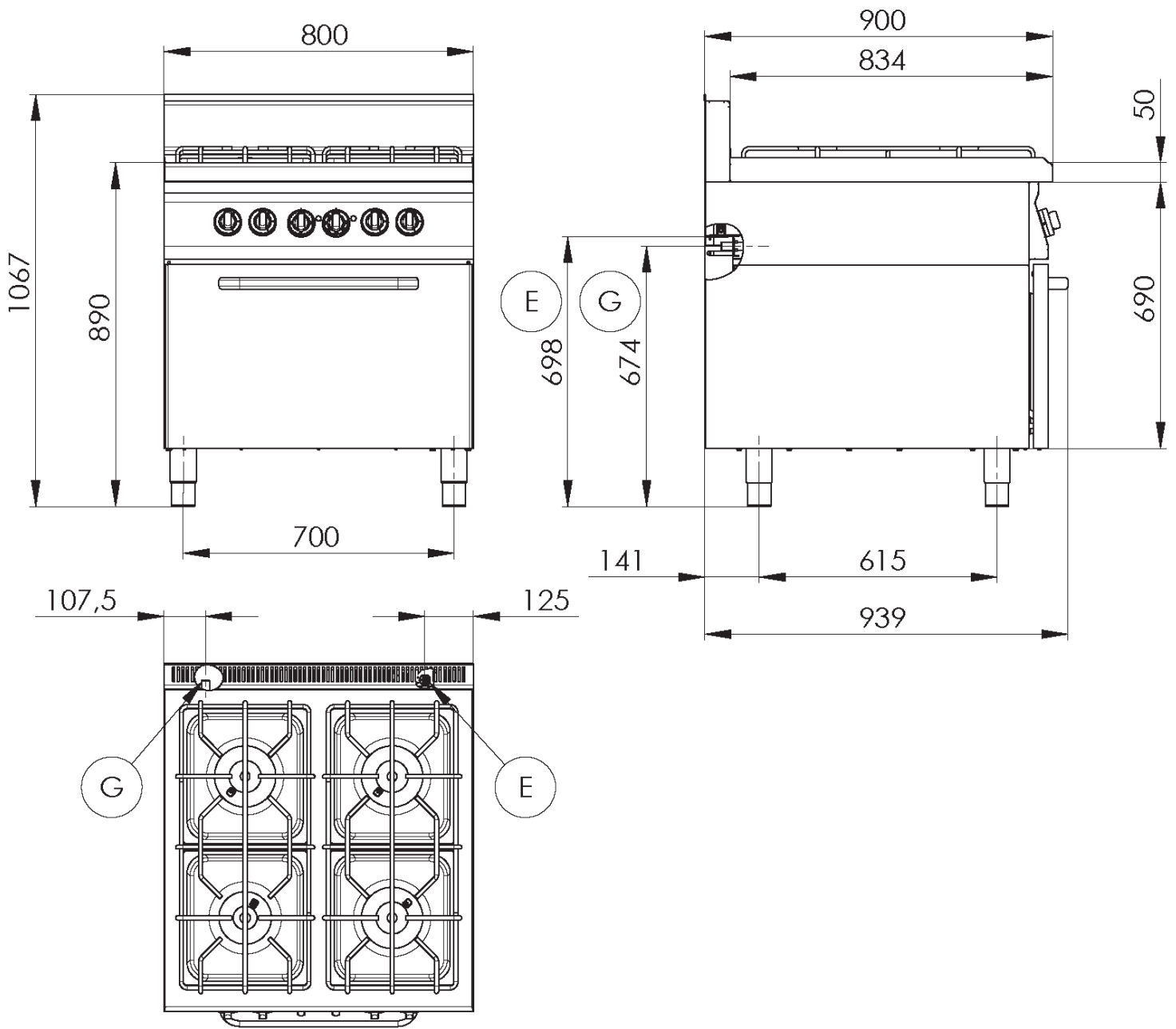
Opriți alimentarea cu electricitate și apelați servisul vânzătorului.

ATENȚIONARE

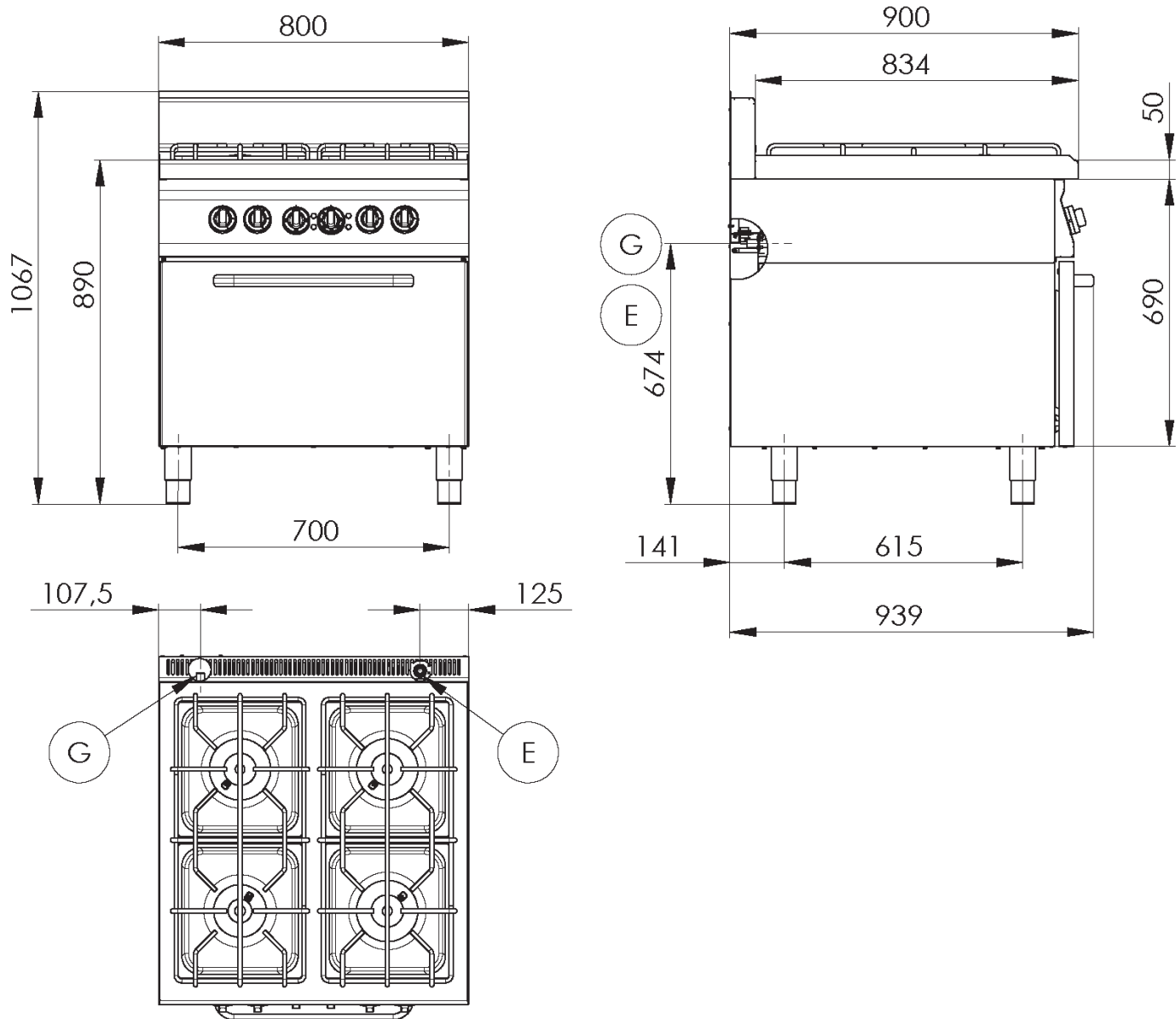
Garanția nu acoperă piesele consumabile care se uzează prin utilizare (garniturile din cauciuc, becurile, părțile din plastic și sticle, etc.). De asemeni garanția nu se aplică aparatelor a căror instalare a fost efectuată contrar normelor (de către o persoană autorizată conform normelor în vigoare) și nici în cazul manipulării defectuoase (intervenții în interiorul aparatului etc.) sau dacă a fost deservit de către personal neinstruit și contrar ghidului de utilizare. Garanția nu se aplica defectelor datorate efectelor naturii sau forței majore.

DIMENSIONALĂ SCHIȚĂ

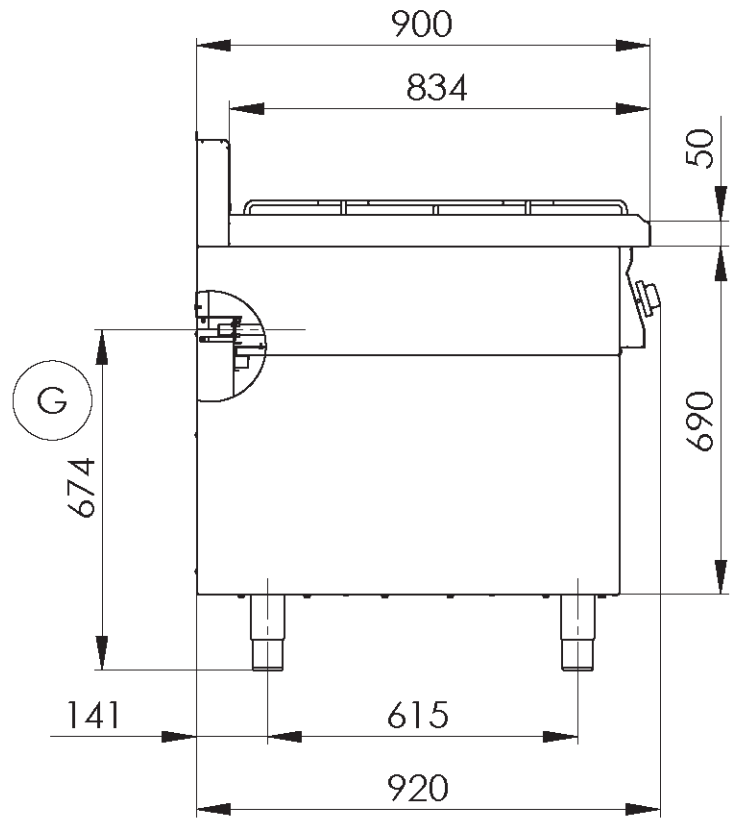
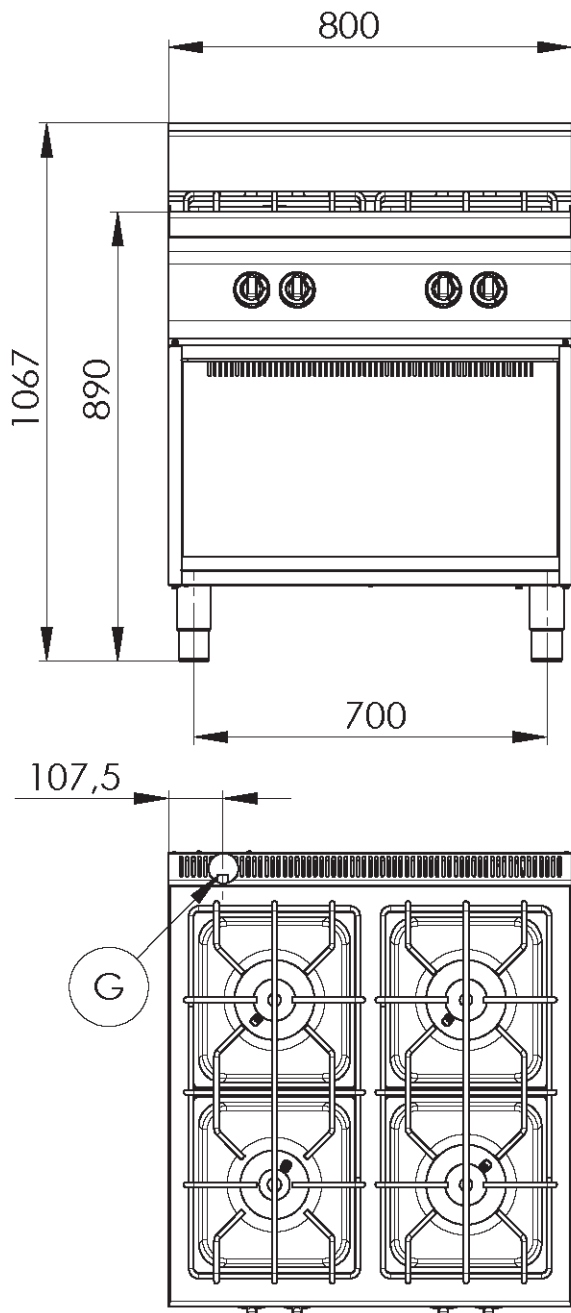
SPT 90/80 11 GE



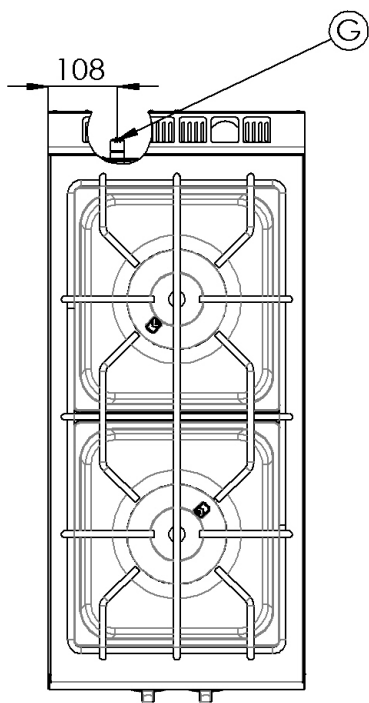
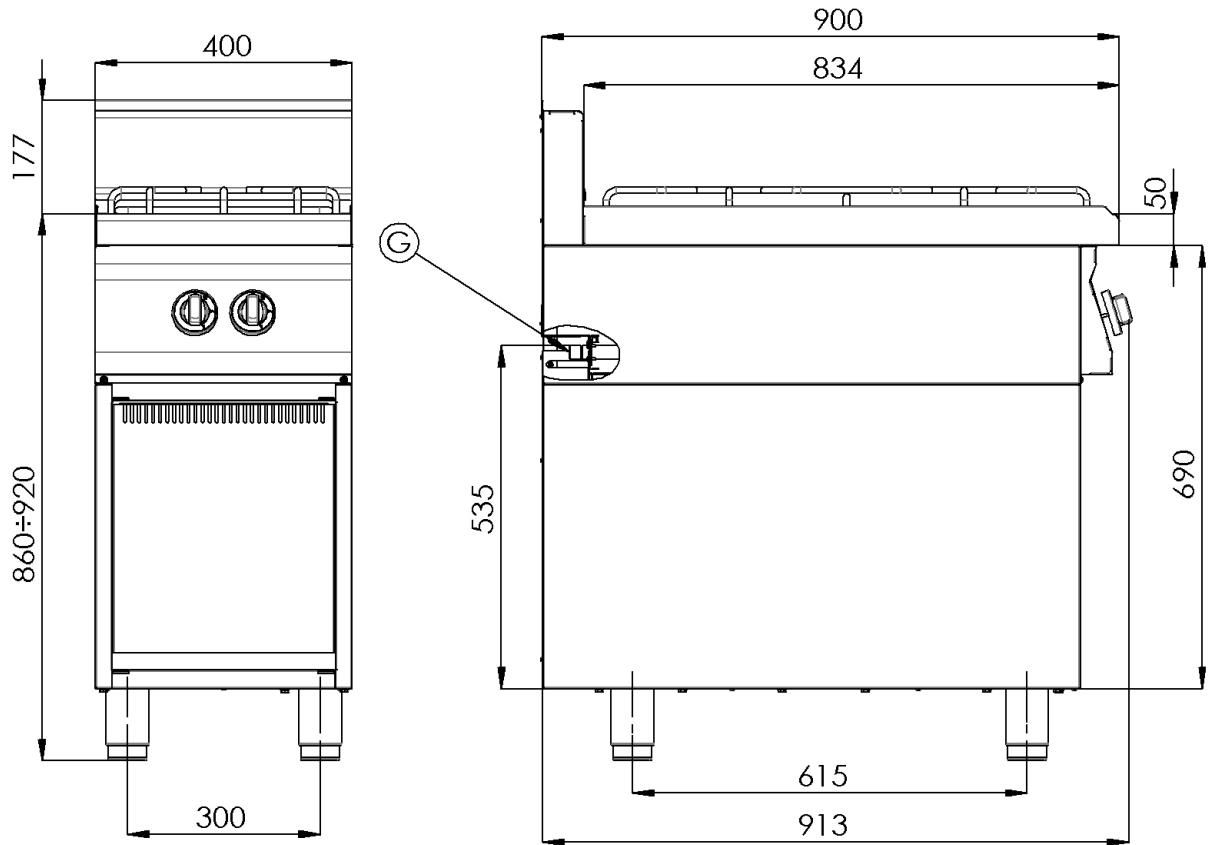
SPT 90/80 21 GE



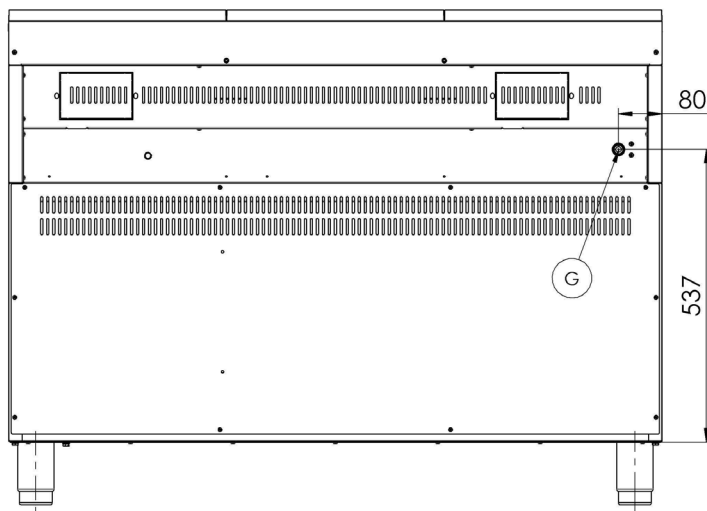
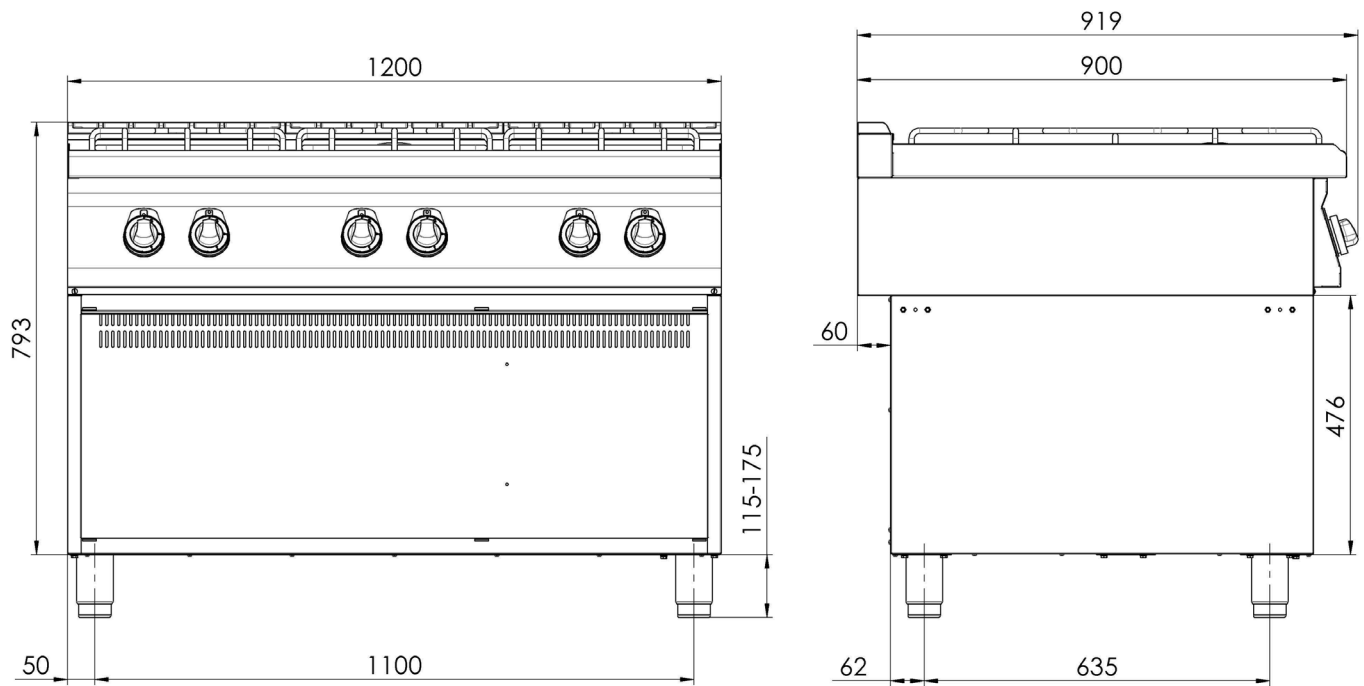
SP 90/80 G



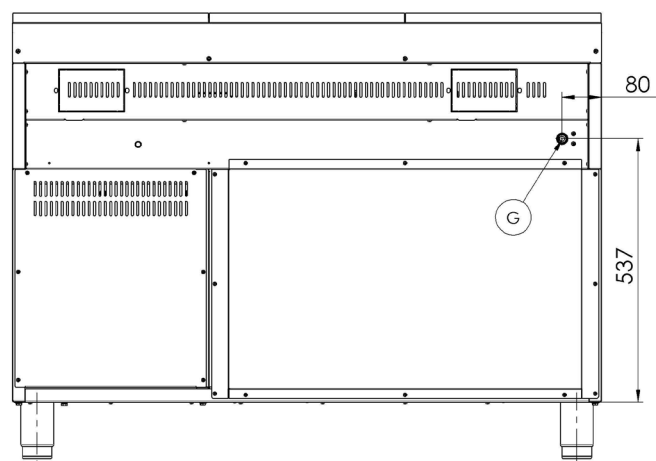
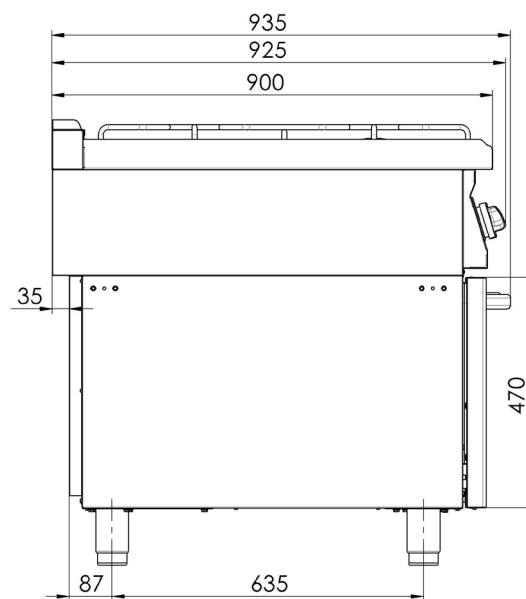
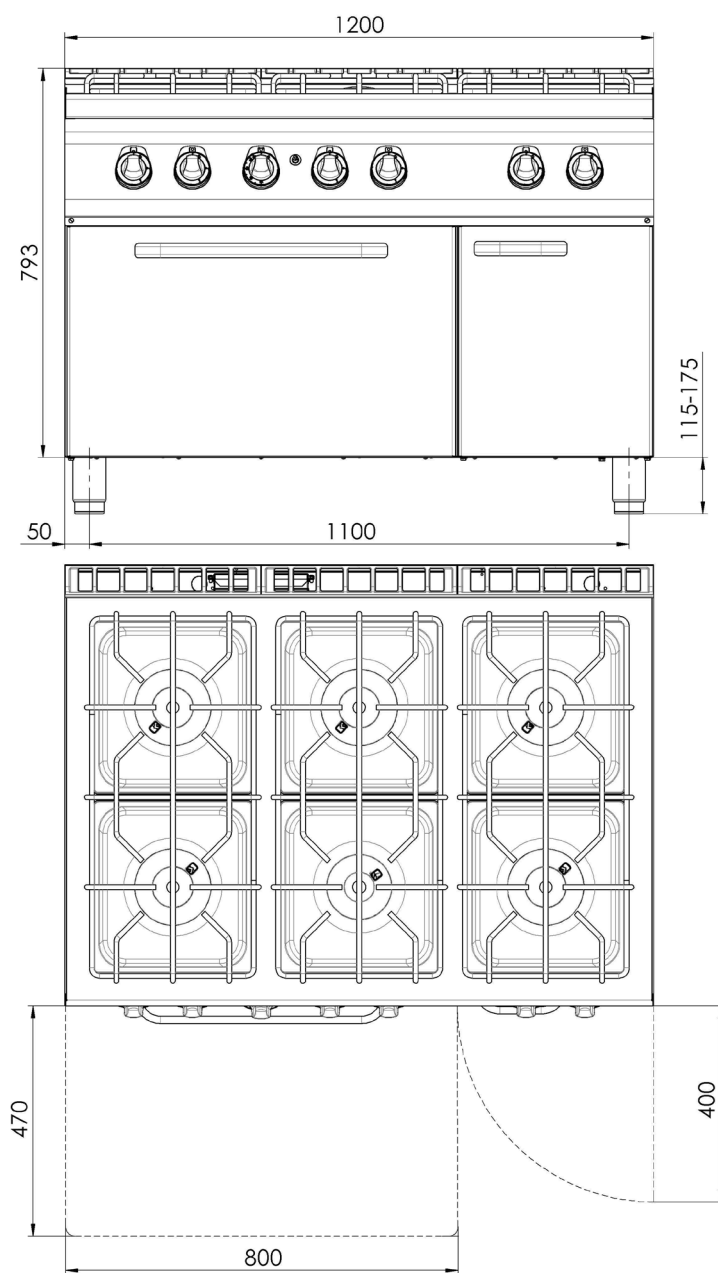
SP 90/40 G



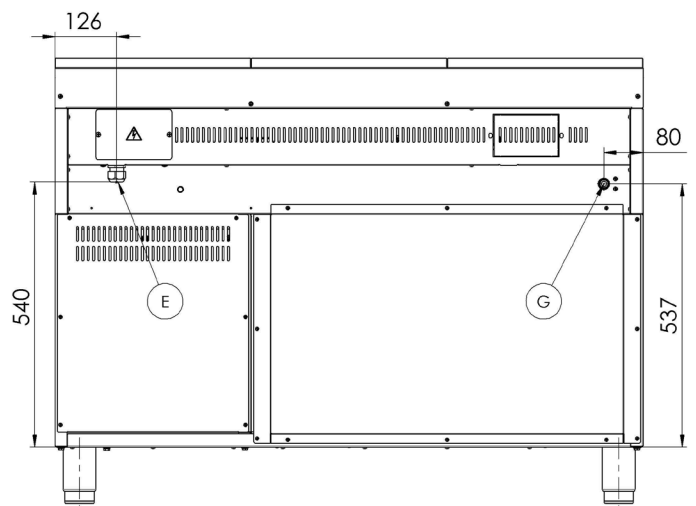
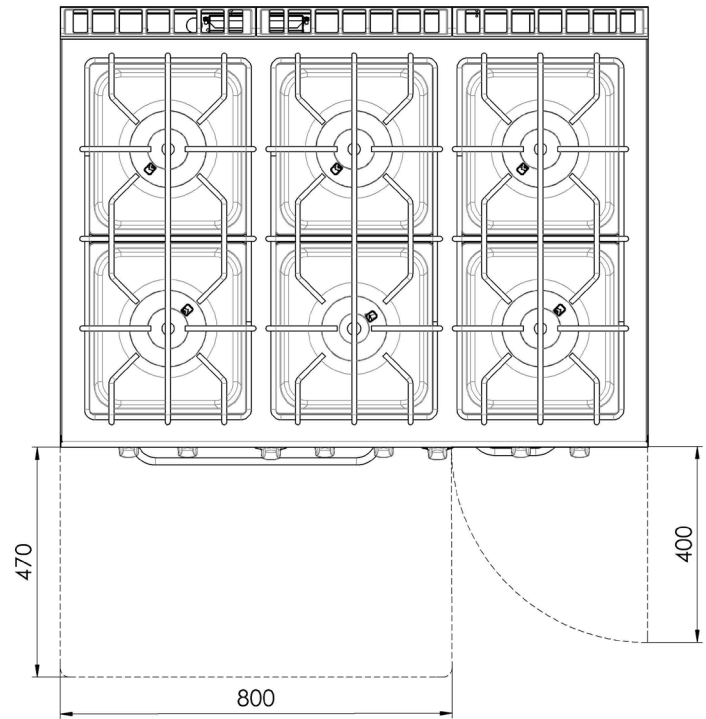
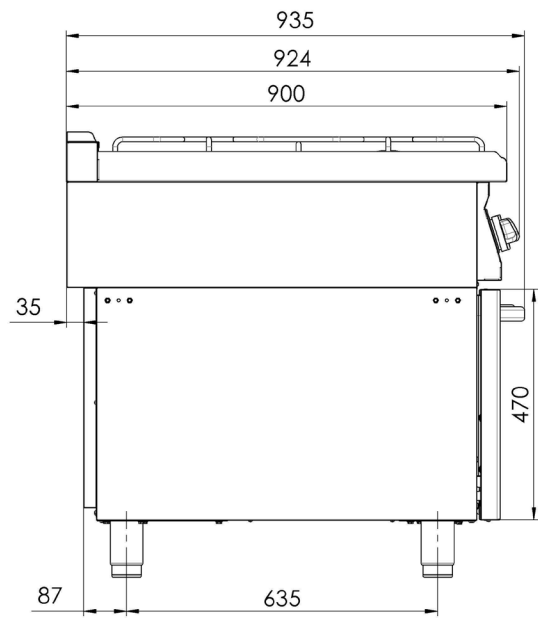
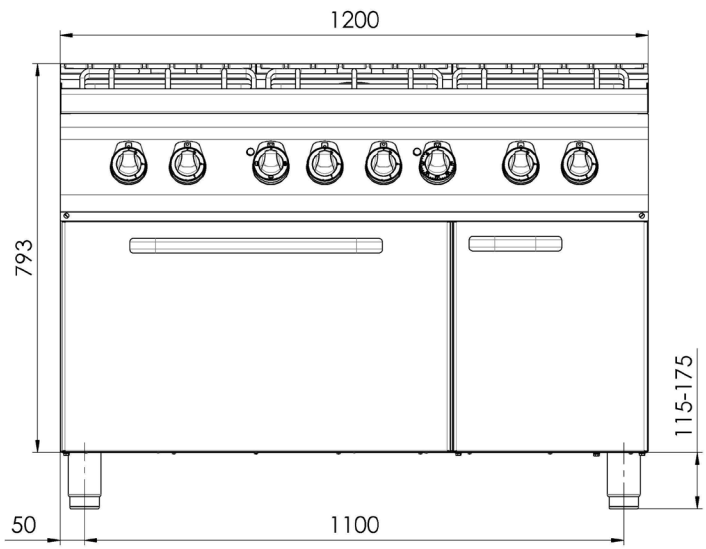
SP 90/120 G



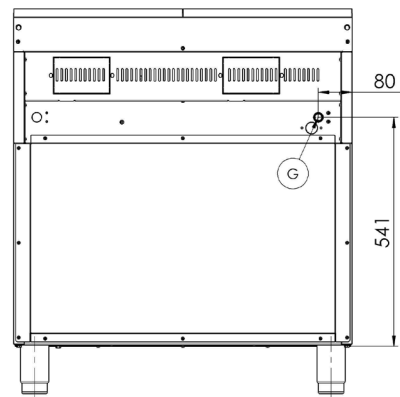
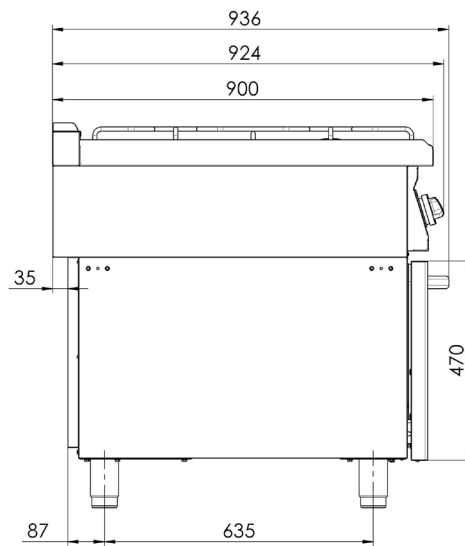
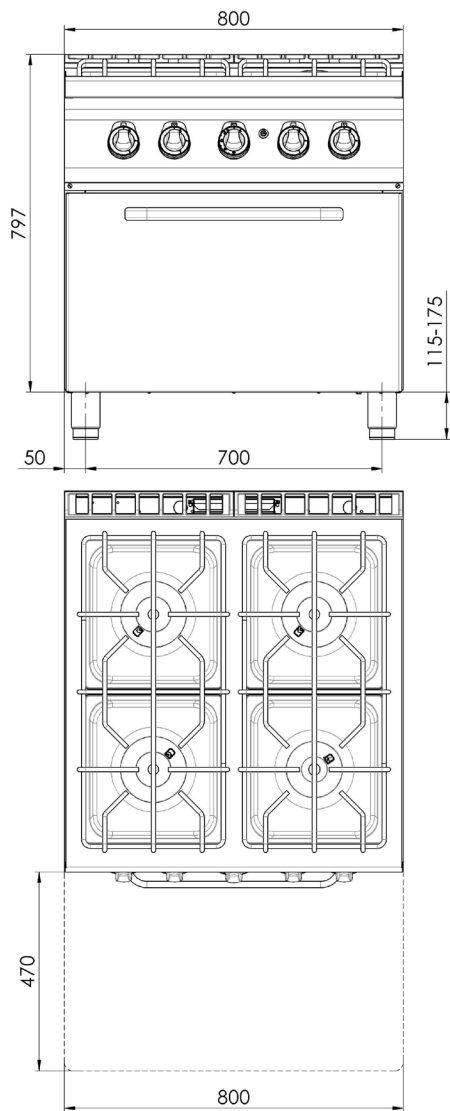
SPT 90/120 21 G



SPT 90/120 21 GE



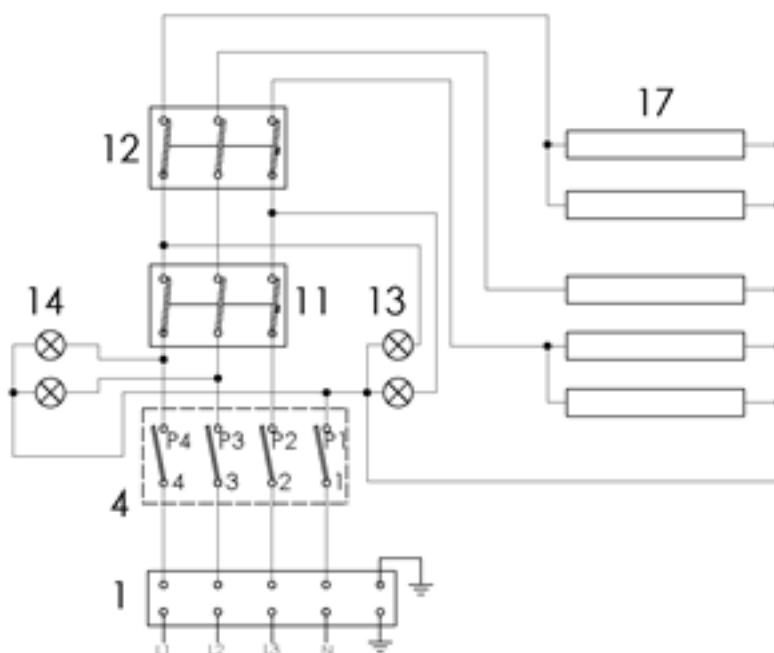
SPT 90/80 21 G



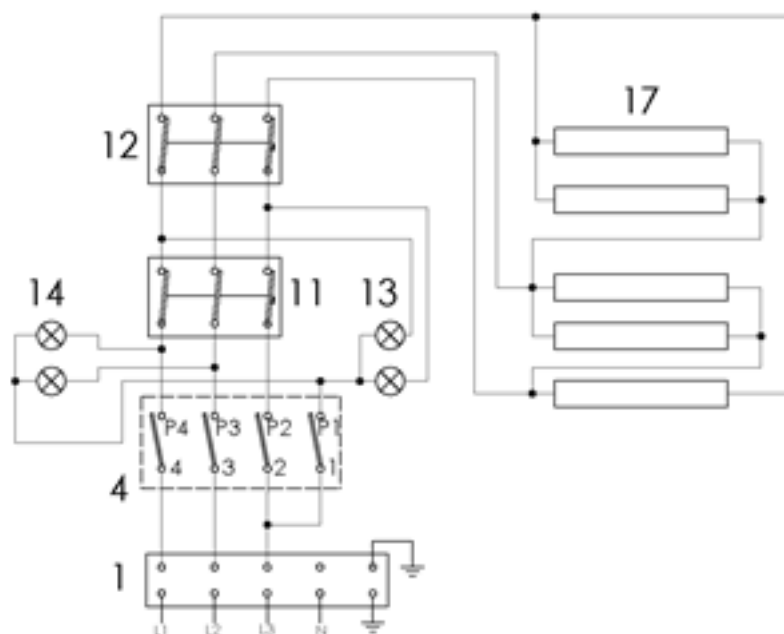
circuit diagramă

UN CUPTOR ELECTRIC STAȚIONAR

SPT 90/80 - 21 GE

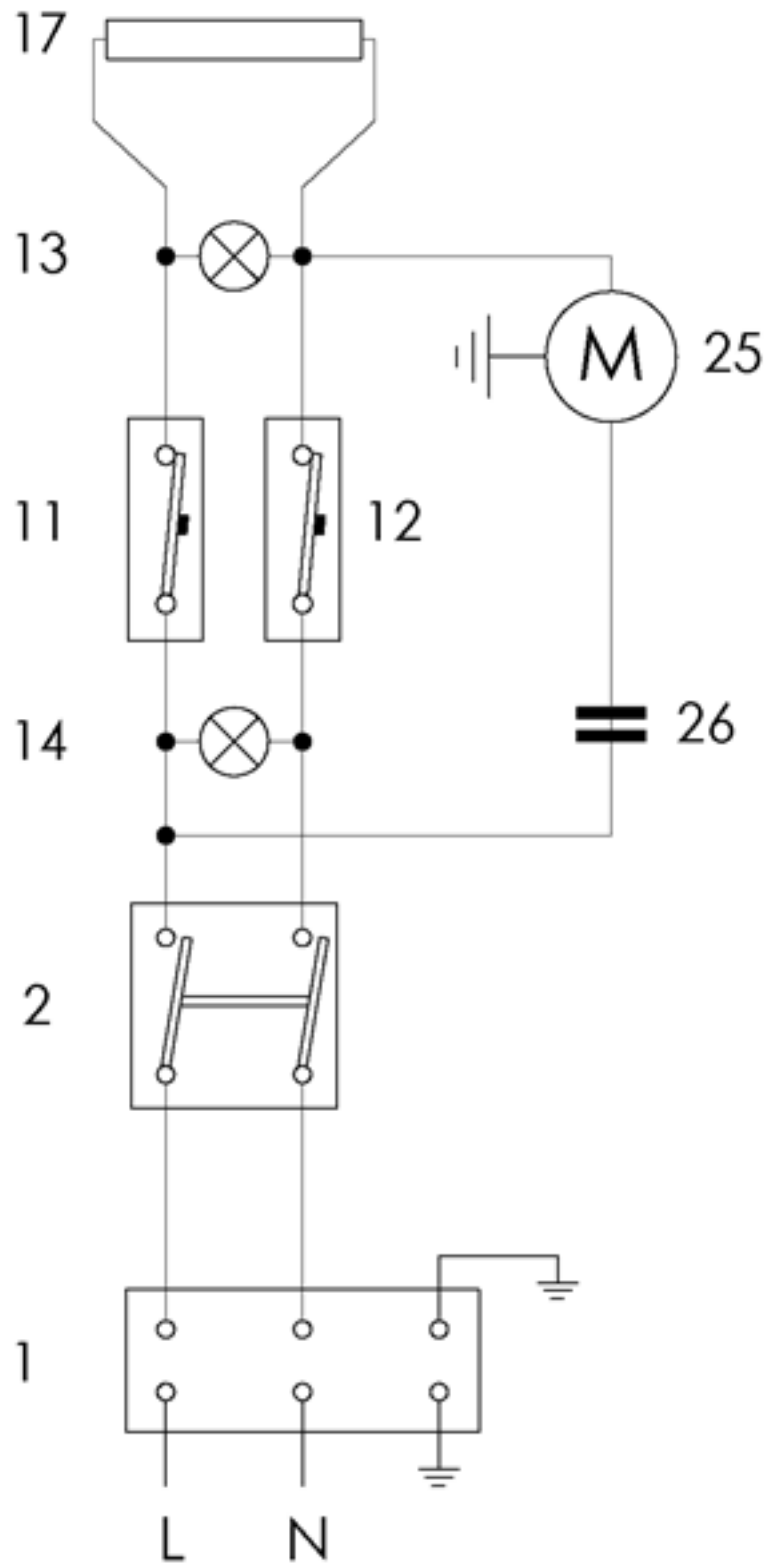


SPT 90/80 - 21 GE (230V/3)



circuit diagramă

CUPTOR ELECTRIC CU AER CALD



List of service organizations:

CZ: RM GASTRO CZ s. r. o., Náchodská 818/16, Praha 9

Tel. +420 281 926 604, info@rmgastro.cz, www.rmgastro.cz

SK: RM Gastro Slovakia, Rybárska 1, Nové Město nad Váhom

Tel.: +421 32 7717061, obchod@rmgastro.sk, www.rmgastro.sk

PL: RM GASTRO Polska Sp. z o. o., ul. Skoczowska 94, 43-450 Ustroń

Tel.: +33 854 73 26, www.rmgastro.pl